

2190A

Digital Thermometer

Instruction Manual

P/N 489229
June 1978
Rev.2, 9/88
©1988 John Fluke Mfg. Co., Inc. All rights reserved. Litho in U.S.A.

FLUKE

WARRANTY

Notwithstanding any provision of any agreement the following warranty is exclusive:

The JOHN FLUKE MFG. CO., INC., warrants each instrument it manufactures to be free from defects in material and workmanship under normal use and service for the period of 1-year from date of purchase. This warranty extends only to the original purchaser. This warranty shall not apply to fuses, disposable batteries (rechargeable type batteries are warranted for 90-days), or any product or parts which have been subject to misuse, neglect, accident, or abnormal conditions of operations.

In the event of failure of a product covered by this warranty, John Fluke Mfg. Co., Inc., will repair and calibrate an instrument returned to an authorized Service Facility within 1 year of the original purchase; provided the warrantor's examination discloses to its satisfaction that the product was defective. The warrantor may, at its option, replace the product in lieu of repair. With regard to any instrument returned within 1 year of the original purchase, said repairs or replacement will be made without charge. If the failure has been caused by misuse, neglect, accident, or abnormal conditions of operations, repairs will be billed at a nominal cost. In such case, an estimate will be submitted before work is started, if requested.

THE FOREGOING WARRANTY IS IN LIEU OF ALL OTHER WARRANTIES, EXPRESS OR IMPLIED, INCLUDING BUT NOT LIMITED TO ANY IMPLIED WARRANTY OF MERCHANTABILITY, FITNESS, OR ADEQUACY FOR ANY PARTICULAR PURPOSE OR USE. JOHN FLUKE MFG. CO., INC., SHALL NOT BE LIABLE FOR ANY SPECIAL, INCIDENTAL, OR CONSEQUENTIAL DAMAGES, WHETHER IN CONTRACT, TORT, OR OTHERWISE.

If any failure occurs, the following steps should be taken:

1. Notify the JOHN FLUKE MFG. CO., INC., or nearest Service facility, giving full details of the difficulty, and include the model number, type number, and serial number. On receipt of this information, service data, or shipping instructions will be forwarded to you.
2. On receipt of the shipping instructions, forward the instrument, transportation prepaid. Repairs will be made at the Service Facility and the instrument returned, transportation prepaid.

SHIPPING TO MANUFACTURER FOR REPAIR OR ADJUSTMENT

All shipments of JOHN FLUKE MFG. CO., INC., instruments should be made via United Parcel Service or "Best Way"* prepaid. The instrument should be shipped in the original packing carton; or if it is not available, use any suitable container that is rigid and of adequate size. If a substitute container is used, the instrument should be wrapped in paper and surrounded with at least four inches of excelsior or similar shock-absorbing material.

CLAIM FOR DAMAGE IN SHIPMENT TO ORIGINAL PURCHASER

The instrument should be thoroughly inspected immediately upon original delivery to purchaser. All material in the container should be checked against the enclosed packing list. The manufacturer will not be responsible for shortages against the packing sheet unless notified immediately. If the instrument is damaged in any way, a claim should be filed with the carrier immediately. (To obtain a quotation to repair shipment damage, contact the nearest Fluke Technical Center.) Final claim and negotiations with the carrier must be completed by the customer.

The JOHN FLUKE MFG. CO., INC., will be happy to answer all applications or use questions, which will enhance your use of this instrument. Please address your requests or correspondence to: JOHN FLUKE MFG. CO., INC., P.O. BOX C9090, EVERETT, WASHINGTON 98206, ATTN: Sales Dept. For European Customers: Fluke (Holland) B.V., P.O. Box 2269, 5600 CG, Eindhoven, The Netherlands.

*For European customers, Air Freight prepaid.

John Fluke Mfg. Co., Inc., P.O. Box C9090, Everett, Washington 98206

Table of Contents

SECTION	TITLE	PAGE
1	INTRODUCTION AND SPECIFICATIONS	1-1
	1-1. INTRODUCTION	1-1
	1-10. SPECIFICATIONS	1-2
2	OPERATING INSTRUCTIONS	2-1
	2-1. INTRODUCTION	2-1
	2-3. SHIPPING INFORMATION	2-1
	2-6. INPUT POWER	2-1
	2-9. INSTALLATION	2-1
	2-12. OPERATING FEATURES	2-2
	2-14. OPERATING NOTES	2-3
	2-16. Option Information	2-3
	2-18. Fuse Replacement	2-3
	2-20. Overload Thermocouple Indication	2-3
	2-22. Open Thermocouple Indication	2-3
	2-24. Microcomputer Identification	2-4
	2-26. OPERATION	2-4
	2-27. Thermocouple Installation	2-4
	2-29. Thermocouple Operation	2-5
	2-31. Voltage Measurements	2-5
3	THEORY OF OPERATION	3-1
	3-1. INTRODUCTION	3-1
	3-3. OVERALL FUNCTIONAL DESCRIPTION	3-1
	3-10. CIRCUIT ANALYSIS	3-2
	3-12. Digital Section	3-2
	3-17. Analog Section	3-2
4	MAINTENANCE	4-1
	4-1. INTRODUCTION	4-1
	4-3. SERVICE INFORMATION	4-1
	4-6. GENERAL MAINTENANCE	4-1
	4-7. Instrument Disassembly	4-1
	4-9. Input Line Power Selection	4-2
	4-11. Cleaning	4-2
	4-13. Fuse Replacement	4-2
	4-15. Service Tools	4-2
	4-17. PERFORMANCE TEST	4-2

TABLE OF CONTENTS, *continued*

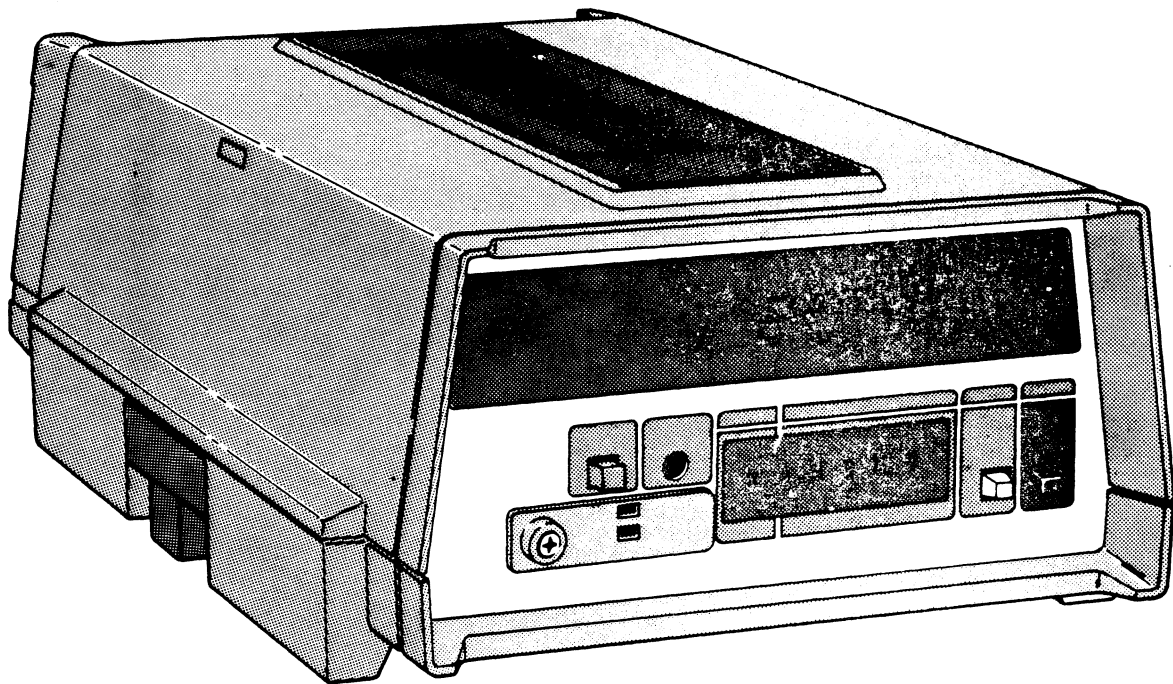
SECTION	TITLE	PAGE
4-20.	Ambient Temperature Test	4-3
4-22.	Ice Bath Construction	4-4
4-24.	Ice Bath Test	4-6
4-26.	CALIBRATION ADJUSTMENT PROCEDURE	4-6
4-28.	Equipment Preparation	4-6
4-30.	Zero Adjustment	4-6
4-32.	Reference Adjustment	4-6
4-34.	Reference-Junction Adjustment	4-7
4-36.	Thermocouple Input Calibration	4-7
4-38.	SELECTED COMPONENT REPLACEMENT OR ADJUSTMENT ..	4-7
4-40.	Multipoint Potentiometer Adjustment	4-8
4-42.	TROUBLESHOOTING	4-8
5	LIST OF REPLACEABLE PARTS	5-1
	TABLE OF CONTENTS	5-1
5-1.	INTRODUCTION	5-2
5-4.	HOW TO OBTAIN PARTS	5-2
6	OPTION AND ACCESSORY INFORMATION	6-1
	TABLE OF CONTENTS	6-1
7A	MANUAL STATUS INFORMATION	7A-1
7B	THERMOCOUPLE REFERENCE TABLES	7B-1
8	SCHEMATIC DIAGRAMS	8-1
	TABLE OF CONTENTS	8-1

List of Tables

TABLE	TITLE	PAGE
1-1.	2190A Options	1-1
1-2.	2190A Accessories	1-2
1-3.	Specifications	1-2
2-1.	2190A Controls, Indicators, and Connectors	2-3
2-2.	Thermocouple Input Module Switch Settings	2-4
2-3.	T/C Input Module Switch Functions	2-5
4-1.	Line Voltage Selection Switches Positioning	4-2
4-2.	Test Equipment Requirements	4-3
4-3.	Performance Test Values	4-4
4-4.	Bias Resistor Values	4-7
4-5.	2190A Troubleshooting	4-8

List of Illustrations

FIGURE	TITLE	PAGE
Frontispiece	2190A Digital Thermometer	<i>vi</i>
2-1.	Controls and Indicators	2-2
2-2.	Thermocouple PCB Access	2-4
3-1.	2190A Simplified Block Diagram	3-1
3-2.	Measurement Cycle Waveforms	3-3
3-3.	Simplified Schematic - Analog Section	3-4
4-1.	Line Voltage Selection Switches	4-2
4-2.	Equipment Connections	4-3
4-3.	Calibration Adjustment Connections	4-6



2190A Digital Thermometer

Section 1

Introduction & Specifications

1-1. INTRODUCTION

1-2. The Model 2190A Digital Thermometer is a portable, stackable, five digit, thermocouple thermometer capable of temperature measurements over a range of -252°C to $+2471^{\circ}\text{C}$ (-486°F to $+4480^{\circ}\text{F}$) with a resolution of 0.1° . The instrument features automatic reference-junction compensation, eliminating the requirement for an ice bath reference-junction; front panel switch selection of Fahrenheit or Celsius readings; switch selectable thermocouple inputs; switch selectable input line voltage; dual-slope measurement techniques; and digital linearization (microcomputer controlled) of the thermocouple inputs.

1-3. The instrument display has six high-intensity, seven segment LEDs, and leading zero suppression. Five of the LEDs are used to display numeric data, including a minus sign for negative temperature readings. The remaining LED displays the selected temperature scale character ($^{\circ}\text{F}$ or $^{\circ}\text{C}$). The symbol "O.C." is displayed when an open-thermocouple is detected at the thermocouple input terminals.

1-4. Screw-type input connectors, on a removable module, are provided for attaching the selected thermocouple. The terminals are an integral part of an isothermal block which serves as a portion of the reference-junction compensation circuit. This circuit removes the need for an ice bath reference junction (0°C or 32°F) since it provides the electrical equivalent automatically.

1-5. Selection of the temperature scale for display is made with a front panel pushbutton. The scale selected, Celsius or Fahrenheit, is displayed as either the character $^{\circ}\text{C}$ or $^{\circ}\text{F}$ as the last character in the temperature reading. A scale change can be made at any time, and has no effect on the calibration of the instrument.

1-6. The measurement range of the 2190A is determined by the type of thermocouple used as the input device. The type of microcomputer installed in your instrument will determine the type of thermocouples that may be used. The specifications table identifies the type of thermocouples that are presently available for use in the 2190A, and Section 2 gives the procedure for identifying the microcomputer type. The version required must be specified when ordering the instrument. Choice of the thermocouple type is accomplished by selecting the applicable switch position on the removable input module using the table printed beside the switch on the pcb. Recalibration is not required if the thermocouple type is changed.

NOTE

The letter C is not an ISA/ANSI thermocouple designation. C is used for convenience only to represent Tungsten-5% Rhenium versus Tungsten-26% Rhenium alloy.

1-7. The instrument is in a PTI (Portable Test Instrument) case. This lightweight, durable plastic case makes the instrument truly portable when used with the Y2003 or Y2009 external power sources and can be stacked for one handle portability.

1-8. Options and accessories available for the 2190A are listed in Tables 1-1 and 1-2 respectively. Detailed information concerning each item listed is given in Section 6 of this manual, Option and Accessory Information.

Table 1-1. 2190A Options

OPTION	DESCRIPTION
21X0A-002	Output Option
21X0A-004	IEEE-488 Interface Option
21X0A-006	Limits Option

1-9. Four input line voltages are available for switch selection. Selection may be made for 100, 120, 220 or 240 volts $\pm 10\%$, as required to meet local conditions. Frequency may vary between 50 to 440 Hertz for all voltage selections. Refer to Section 4 of this manual on how to change the selected input line voltage. The

instrument will also operate with an external input of 12V dc.

1-10. SPECIFICATIONS

1-11. Specifications for the 2190A Digital Thermometer are given in Table 1-3.

Table 1-2. 2190A Accessories

ACCESSORIES	DESCRIPTION	ACCESSORIES	DESCRIPTION
Y2001	Multipoint Selector, Thermocouple	Y2024	Power Cord, 3-way
Y2003	Calibrator, Thermocouple Indicator	Y2026B	Cable, Output Unit, RS-232-C
Y2009	Battery Pack, 12V Rechargeable	Y2030	Thermocouple Input Module
Y2010	Rack Panel PTI, single, A size (for Y2001)	P20J	J-Type Thermocouple Probe
Y2014	Rack Panel PTI, single, C size (for 2190A, Y2002 and Y2023)	P20K	K-Type Thermocouple Probe
Y2015	Rack Panel PTI, double, C size (for 2190A, Y2002 and Y2023)	P20T	T-Type Thermocouple Probe
Y2016	7 inch Rack Adapter PTI, single, D size	P20E	E-Type Thermocouple Probe
Y2017	7 inch Rack Adapter PTI, double, D size		
Y2020	Panel Mount PTI-DIN, C size (for 2190A, Y2002 and Y2023)		
Y2021	145 mm Panel Mount PTI, D size		
Y2022	Divider, Thermometer Calibrator		

Table 1-3. Specifications

2190A Digital Thermometer									
<p>Thermocouple Types: Determined by type of microcomputer.</p> <table border="1"> <thead> <tr> <th>MICROCOMPUTER TYPE</th> <th>THERMOCOUPLE TYPE</th> </tr> </thead> <tbody> <tr> <td>1</td> <td>J, K, T, C, and R</td> </tr> <tr> <td>2</td> <td>J, K, E, S, and R</td> </tr> <tr> <td>3</td> <td>JDIN*, K, TDIN*, B and R</td> </tr> </tbody> </table> <p>* European standard</p> <p>Display: $^{\circ}$F or $^{\circ}$C, switch-selectable, 7-segment LED's 1.1 cm high.</p> <p>Resolution: 0.1 $^{\circ}$.</p> <p>Measurement Method: Dual slope integration, under micro-computer control. 100 ms integration period, three readings per second.</p> <p>Linearization Technique: Computer algorithm, 4th order curve fit.</p> <p>Warm-Up to Rated Accuracy: 5 minutes.</p> <p>Reference Junction Compensation: 0.005 $^{\circ}$ per degree from 25 $^{\circ}$C.</p> <p>Safety: PROTECTION CLASS 1 (Relates solely to insulation or grounding properties further defined in IEC 348.)</p>	MICROCOMPUTER TYPE	THERMOCOUPLE TYPE	1	J, K, T, C, and R	2	J, K, E, S, and R	3	JDIN*, K, TDIN*, B and R	<p>Temperature Coefficient: ± 15 ppm/$^{\circ}$C from 25 $^{\circ}$C.</p> <p>Stability: ± 175 ppm in 90 days, 200 ppm per year.</p> <p>Common Mode Rejection: ≥ 160 dB at dc, 50, 60, and 400 Hz $\pm 0.1\%$, with 100 Ω unbalance at input.</p> <p>Common Mode Voltage: 350V dc or 250V ac rms max.</p> <p>Normal Mode Rejection: ≥ 90 dB at dc, 50, 60, and 400 Hz $\pm 0.1\%$.</p> <p>Zero Drift: Automatic zero correction.</p> <p>Input Connection: Two wires, on screw terminal isothermal block.</p> <p>Input Impedance: 1000 MΩ at dc.</p> <p>Max. Source Impedance: 2 kΩ.</p> <p>Power: 12V dc or 100, 120, 220 or 240V ac $\pm 10\%$, selectable, 50 to 400 Hz; 8W typical.</p> <p>Size and Weight: Style C case, 2.1 kg (4 lbs. 9 oz.), typical.</p> <p>Overrange (Overload) Detection: The thermometer display flashes either positive full scale or negative full scale depending on the polarity of the overload (voltage).</p> <p>Open Circuit Detection: A source impedance of 3 kΩ or more causes the thermometer to display a flashing "O.C.". An internal switch allows a user to simulate a + overload or - overload which can be used to control limits or alarms for failsafe control.</p>
MICROCOMPUTER TYPE	THERMOCOUPLE TYPE								
1	J, K, T, C, and R								
2	J, K, E, S, and R								
3	JDIN*, K, TDIN*, B and R								

Table 1-3. Specifications (cont)

2190A Instrument Accuracy Specifications**

MICROCOMPUTER TYPE #1

Thermocouples		Maximum Error					
		±Degrees C			±Degrees F		
Type	Applicable Portion of Temp. Range, °C	At Cal.	90 Dys 20 °C to 30 °C	1 Yr 15 °C to 35 °C	At Cal.	90 Dys 68 °F to 86 °F	1 Yr 59 °F to 95 °F
J	-128 to 0	0.18	0.19	0.21	0.20	0.23	0.26
	0 to 900	0.18	0.31	0.36	0.20	0.47	0.58
K	-132 to 0	0.18	0.19	0.21	0.30	0.33	0.37
	0 to 1350	0.18	0.39	0.47	0.30	0.72	0.87
T	-243 to 0	0.18	0.20	0.22	0.30	0.35	0.39
	0 to 400	0.18	0.22	0.25	0.30	0.41	0.46
R	0 to 1708	0.31	0.59	0.70	0.47	1.01	1.20
C	0 to 2471	0.18	0.60	0.75	0.30	1.11	1.37

MICROCOMPUTER TYPE #2

Thermocouples		Maximum Error					
		±Degrees C			±Degrees F		
Type	Applicable Portion of Temp. Range, °C	At Cal.	90 Dys 20 °C to 30 °C	1 Yr 15 °C to 35 °C	At Cal.	90 Dys 68 °F to 86 °F	1 Yr 59 °F to 95 °F
J	-128 to 0	0.18	0.19	0.21	0.20	0.23	0.26
	0 to 900	0.18	0.31	0.36	0.20	0.47	0.58
K	-132 to 0	0.18	0.19	0.21	0.30	0.33	0.37
	0 to 1350	0.18	0.39	0.47	0.30	0.72	0.87
E	-252 to 0	0.18	0.20	0.22	0.30	0.35	0.40
	0 to 1000	0.18	0.33	0.39	0.30	0.61	0.72
R	0 to 1708	0.31	0.59	0.70	0.47	1.01	1.20
S	0 to 1685	0.22	0.50	0.60	0.38	0.92	1.10

MICROCOMPUTER TYPE #3

Thermocouples		Maximum Error					
		±Degrees C			±Degrees F		
Type	Applicable Portion of Temp. Range, °C	At Cal.	90 Dys 20 °C to 30 °C	1 Yr 15 °C to 35 °C	At Cal.	90 Dys 68 °F to 86 °F	1 Yr 59 °F to 95 °F
J DIN*	-100 to 0	0.18	0.19	0.20	0.30	0.32	0.36
	0 to 760	0.18	0.28	0.33	0.30	0.52	0.61
K	-50 to 0	0.18	0.18	0.20	0.20	0.22	0.25
	0 to 1372	0.18	0.39	0.48	0.20	0.63	0.78
T DIN*	-200 to 0	0.18	0.20	0.21	0.30	0.34	0.38
	0 to 400	0.18	0.22	0.25	0.30	0.41	0.46
B	420 to 1815	0.21	0.52	0.62	0.37	0.95	1.15
R	140 to 1700	0.18	0.46	0.56	0.20	0.74	0.93

*European Standard

**Note: Instrument accuracy does not include thermocouple errors such as non-conformity to standard curve.

Table 1-3. Specifications (cont)

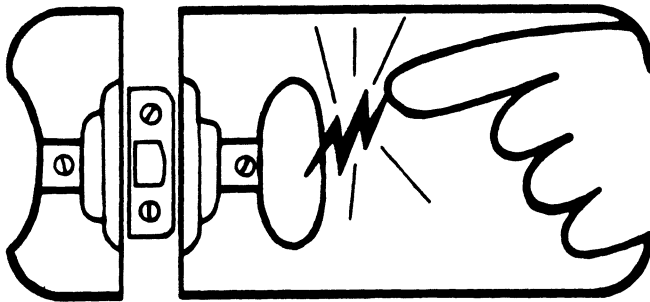
PTI Common Specifications (2190A and Accessories)
<p>Storage Temperature: -40°C to $+75^{\circ}\text{C}$, except Y2003 or Y2009 is 0 to 40°C.</p> <p>Operating Temperature: 0 to 50°C, except Y2003 and Y2009 is 0 to 40°C.</p> <p>Relative Humidity: $\leq 80\%$, non-condensing, from 0 to 50°C.</p> <p>Shock and Vibration: Meets MIL-T-2800 specifications.</p>
PTI Case Dimensions
<p>Style A: 5.72 cm H x 20.45 cm W x 32.64 cm D (2.25 in. H x 8.05 in. W x 12.85 in. D).</p> <p>Style B: 8.20 cm H x 20.45 cm W x 32.64 cm D (3.23 in. H x 8.05 in. W x 12.85 in. D).</p> <p>Style C: 10.49 cm H x 20.45 cm W x 32.64 cm D (4.13 in. H x 8.05 in. W x 12.85 in. D).</p>



static awareness



A Message From
John Fluke Mfg. Co., Inc.

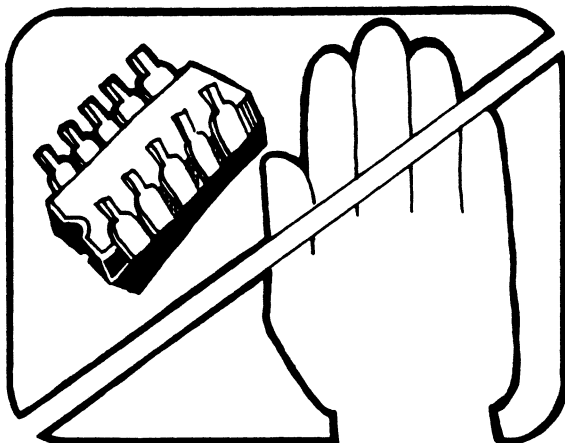


Some semiconductors and custom IC's can be damaged by electrostatic discharge during handling. This notice explains how you can minimize the chances of destroying such devices by:

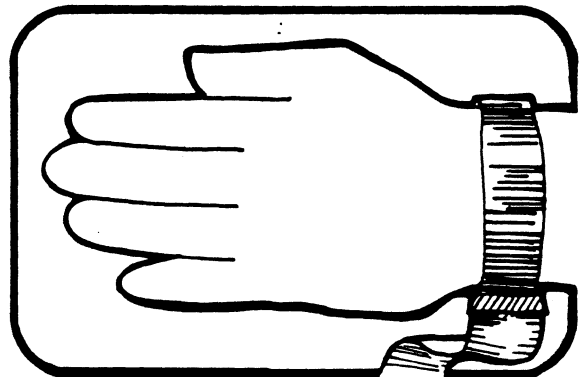
1. Knowing that there is a problem.
2. Learning the guidelines for handling them.
3. Using the procedures, and packaging and bench techniques that are recommended.

The Static Sensitive (S.S.) devices are identified in the Fluke technical manual parts list with the symbol "⊗"

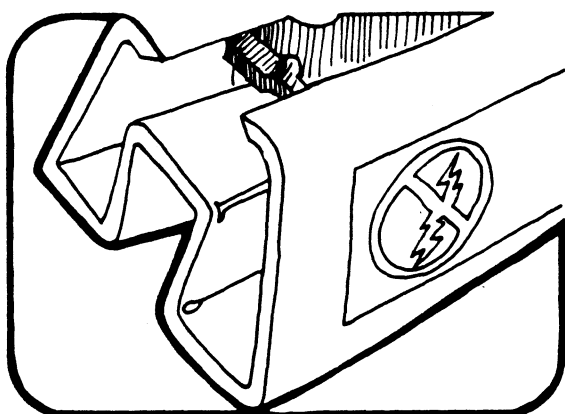
The following practices should be followed to minimize damage to S.S. devices.



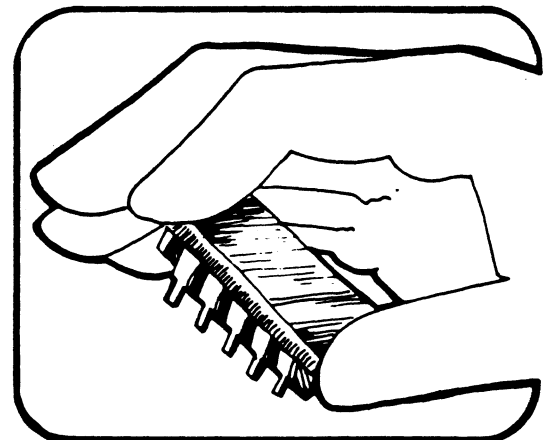
1. MINIMIZE HANDLING



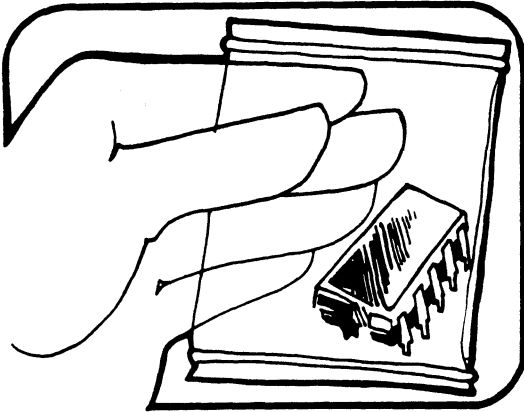
3. DISCHARGE PERSONAL STATIC BEFORE HANDLING DEVICES. USE A HIGH RESISTANCE GROUNDING WRIST STRAP.



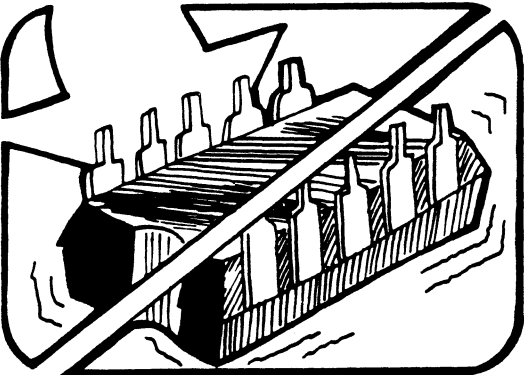
2. KEEP PARTS IN ORIGINAL CONTAINERS UNTIL READY FOR USE.



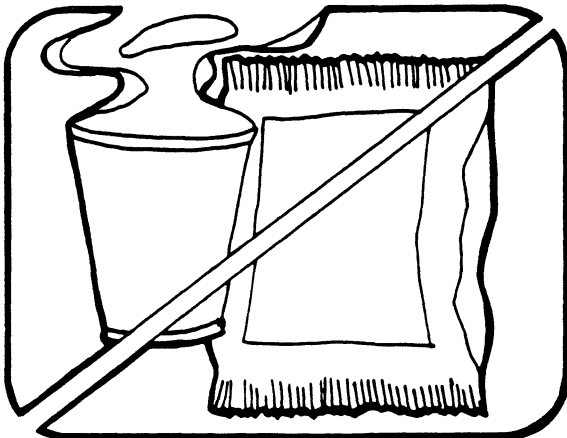
4. HANDLE S.S. DEVICES BY THE BODY



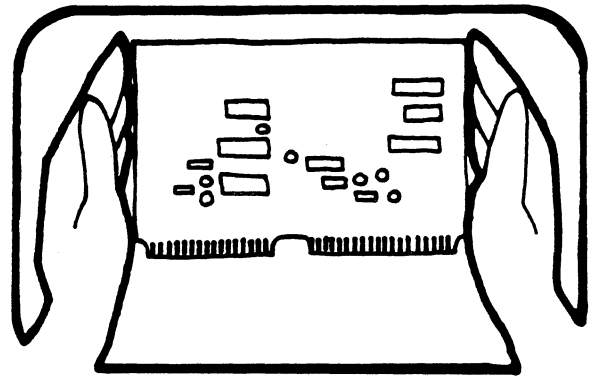
5. USE STATIC SHIELDING CONTAINERS FOR HANDLING AND TRANSPORT



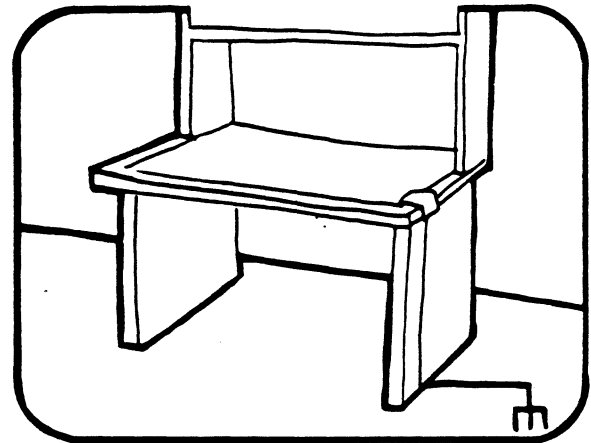
6. DO NOT SLIDE S.S. DEVICES OVER ANY SURFACE



7. AVOID PLASTIC, VINYL AND STYROFOAM® IN WORK AREA



8. WHEN REMOVING PLUG-IN ASSEMBLIES, HANDLE ONLY BY NON-CONDUCTIVE EDGES AND NEVER TOUCH OPEN EDGE CONNECTOR EXCEPT AT STATIC-FREE WORK STATION. PLACING SHORTING STRIPS ON EDGE CONNECTOR HELPS TO PROTECT INSTALLED SS DEVICES.



9. HANDLE S.S. DEVICES ONLY AT A STATIC-FREE WORK STATION
10. ONLY ANTI-STATIC TYPE SOLDER-SUCKERS SHOULD BE USED.
11. ONLY GROUNDED TIP SOLDERING IRONS SHOULD BE USED.

A complete line of static shielding bags and accessories is available from Fluke Parts Department, Telephone 800-526-4731 or write to:

JOHN FLUKE MFG. CO., INC.
PARTS DEPT. M/S 86
9028 EVERGREEN WAY
EVERETT, WA 98204

PORTIONS REPRINTED
WITH PERMISSION FROM TEKTRONIX, INC.
AND GENERAL DYNAMICS, POMONA DIV.

Section 2

Operating Instructions

2-1. INTRODUCTION

2-2. This section of the manual contains information regarding installation and operation of the 2190A Digital Thermometer. It is recommended that the contents of this section be read and understood before any attempt is made to operate the instrument. Should any difficulties arise during operation, please contact your nearest Fluke Technical Service Center, or John Fluke Mfg. Co., Inc. P.O. Box C9090, Everett, WA 98206, Tel(206) 356-5400. A list of Technical Service Centers is located in Section 7 of this manual.

2-3. SHIPPING INFORMATION

2-4. The 2190A is packaged and shipped in a foam-packed container. Upon receipt of the instrument, a thorough inspection should be made to reveal any possible shipping damage. Special instructions for inspection and claims are included on the shipping carton.

2-5. If reshipment of the instrument is necessary, the original container should be used. If the original container is not available, a new one can be obtained from the John Fluke Mfg. Co., Inc. Please reference the instrument model number when requesting a new shipping container.

2-6. INPUT POWER

2-7. The 2190A will operate at any of four switch selected input line voltages. All operate at frequencies from 50 to 440 Hertz. A decal on the instrument rear panel defines the original setting of the line voltage selection switches. Refer to Section 4 of this manual for instruction on verifying or changing the input line voltage switch settings.

CAUTION

Before connecting the 2190A to the local ac line verify that the present setting of the instrument matches the local line voltage.

2-8. The rear panel ac input connector is a three-prong, U-ground connector which permits the instrument to be connected, via the power cord, to the applicable line voltage. The offset prong on this connector is connected to the 2190A transformer shield and should be connected through the power cord to a high quality earth ground. The rear panel external 12V dc connector accepts two wires from an external supply. The two receptacles are marked for polarity.

2-9. INSTALLATION

2-10. The 2190A and its individually packaged accessories are installed in PTI (Portable Test Instrument) cases. These cases are stackable, allowing the operator to fasten them together and transport a series of instruments as one unit. The maximum weight for the stacked units is forty pounds.

2-11. Prepare the 2190A for operation by plugging the input line power cord into the applicable power source or connecting the external input connector to an external 12V dc source.

2-11a. When interfacing your 2190A with a Fluke 2300A Scanner, use the following procedure to readjust the zero calibration of the 2190A:

1. Turn the 2190A and 2300A power off.
2. Remove the Thermocouple Input Assembly from the rear of the 2190A and ensure that the input terminals are open.
3. Place the eight position (labeled on the PCB) of S1 on and replace the Thermocouple Input Assembly into the 2190A.
4. Remove the Thermocouple Scanner Card (Option -002) from the 2300A Scanner, short the

input terminals for one of the channels and replace the Thermocouple Scanner Card into the 2300A.

5. Plug the 2300A Interface Option Cable into the 2190A Accessory Connector on the rear of the 2190A.
6. Turn the 2190A and 2300A power on.
7. Set the 2300A to the channel that was shorted in step 4.
8. Set the 2300A channel delay to 0.0.
9. Adjust the 2190A zero potentiometer (located on the 2190A front panel, behind the screw-locked cover) to obtain a 2190A display of 0.0.

10. Turn the 2190A and 2300A power off, remove the Thermocouple Input Assembly from the 2190A, move all switches of S1 to the off position and replace the Thermocouple Input Assembly into the 2190A.

NOTE

The 2190A zero will need to be readjusted if not being used with the 2300A. To readjust the 2190A zero, turn the 2190A power off, remove the Thermocouple Input Assembly, short the input terminals, repeat step 3, turn the 2190A power on, and repeat step 9.

2-12. OPERATING FEATURES

2-13. The location of the 2190A controls, indicators, and connectors are shown and described in Figure 2-1 and Table 2-1 respectively.

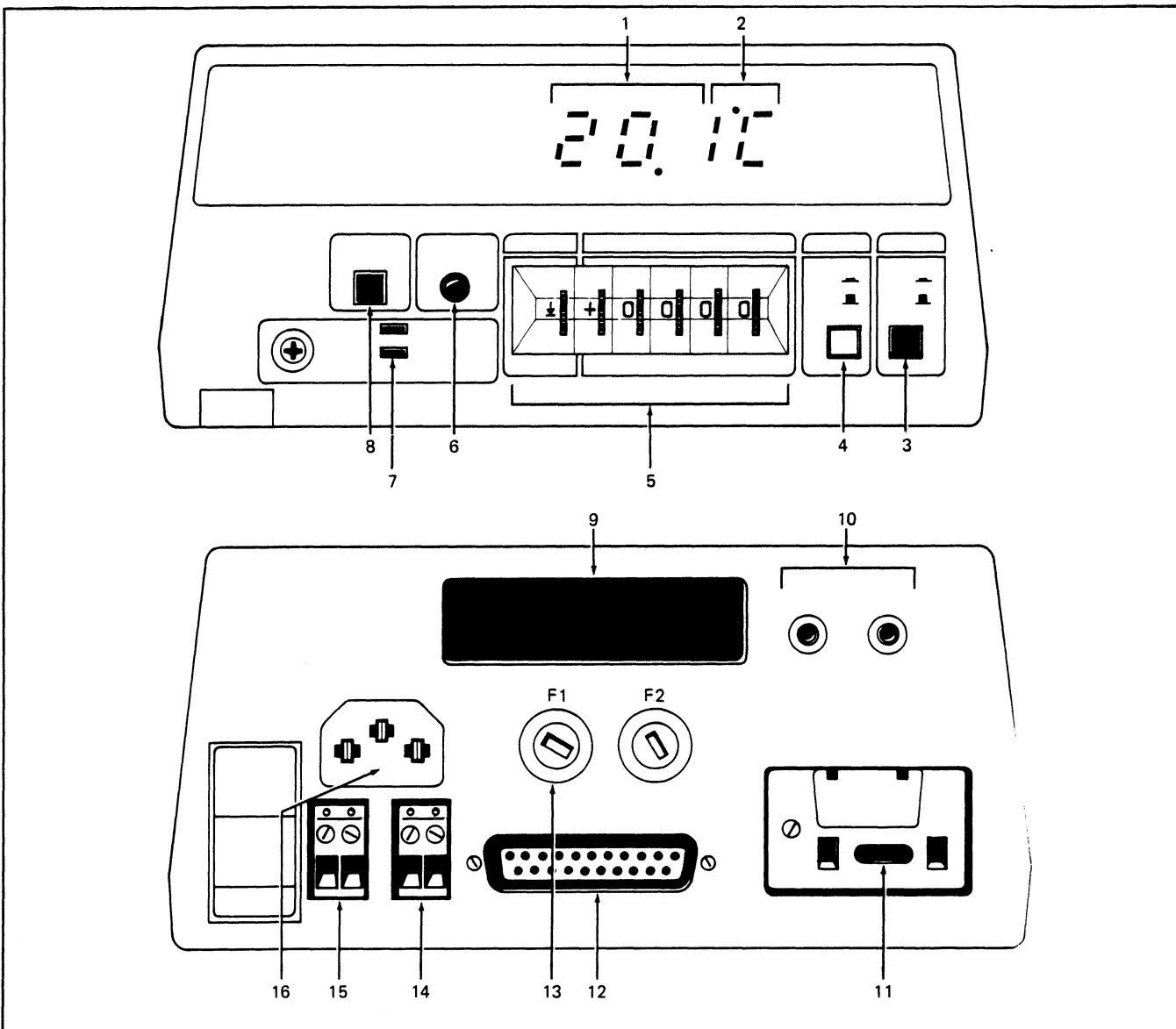


Figure 2-1. Controls and Indicators

Table 2-1. 2190A Controls, Indicators and Connectors

REF	NAME	FUNCTION
1	Digital Display	Displays a five digit readout of the measured input temperature. Leading zero suppression and a fixed decimal point are included. A minus sign is displayed for negative temperature measurements.
2	Temperature Scale Indicator	Displays the temperature scale represented by the digital display data; °C or °F.
3	Power Switch	Applies or removes power from the instrument.
4	SCALE	Selects the temperature scale for display; °C or °F.
5	LIMIT and FUNCTION	Used with the -006 Limit Option, if installed. Limit is a numeric set with thumbwheels to the value used by the selected function. FUNCTION, in combination with the LIMIT numeric sets an upper (>) or lower (≤) limit value which, if exceeded, will illuminate an indicator and close relay contacts accessible on the rear panel. The third function (Δ) causes the thermometer to display the difference between the actual reading and the value set on the LIMIT switches. The last two functions examine, and display, the maximum (⤴) or minimum (⤵) reading recorded in microcomputer since the last reset by the INITIALIZE MAX/MIN pushbutton switch.
6	LIMIT EXCEEDED	Part of the -006 Limits Option. Indicator illuminates when the preset limits have been exceeded.
7	CALIBRATION	Cover for calibration adjustments used in the calibration procedure.
8	INITIALIZE MAX/MIN	Part of the -006 Limits Option. Resets the accumulated maximum and minimum readings stored by the microcomputer.
9	DIGITAL OUTPUT	Connector for the ASCII coded data for the Output Unit, if 21X0A-002 is installed. Connector for the IEEE-488 if 21X0A-004 is installed (instead of 21X0A-002).
10	ANALOG OUTPUT	Banana jack connector for an Analog Output (1 mV per degree), if 21X0A-002 is installed. (Only used with 21X0A-002.)
11	INPUT CONNECTOR	Connection and access point for Thermocouple Input Module with isothermal block for thermocouple connection and selection.
12	ACCESSORY CONNECTOR	Cable connector for electrical connection from accessory units.
13	FUSES	Fuses for the input line power (F1) and the external 12V dc input (F2).
14	LIMITS	If the Limits feature is installed, provides an output terminal for a relay contact closure to signal when the set limits have been exceeded.
15	±12 VDC	Input terminals for the external 12V dc power source.
16	LINE VOLTAGE CONNECTOR	Input connector for the input line voltage.

2-14. OPERATING NOTES

2-15. The following paragraphs describe various conditions that could effect operation of the thermometer. The operator should familiarize himself with these conditions prior to operating the 2190A.

2-16. Option Information

2-17. Supplementary operating instructions are necessary when operating a 2190A equipped with one of the available options. Detailed information regarding the operation of each available option is given in Section 6 of this manual, Option and Accessory Information.

2-18. Fuse Replacement

2-19. The ac line input and external dc input are individually fuse protected. Both fuses are readily accessible on the outside of the rear panel. The ac line input fuse (F1) should be replaced with a 1/8A slo-blo fuse if either 100 or 120 volts has been selected as the input line voltage. Use a 1/16A replacement if 220 or 240 volts have been selected. The external dc input (F2) requires a 3/4A slo-blo fuse for a replacement.

2-20. Overload Thermocouple Indication

2-21. The front panel display, in addition to providing a measurement reading, provides an indication of an overload on the input thermocouple. When the measurement range of the selected thermocouple is exceeded the display flashes either the full-scale positive or full-scale negative reading, dependent on the polarity of the overload. The blinking indication does not necessarily indicate that the instrument is exposed to a damaging input condition.

2-22. Open Thermocouple Indication

2-23. If the thermocouple is open, or not connected to the input terminals, the display flashes the characters "O.C.". A signal from the rear panel relay contacts can also be obtained if the Limits Option (-006) is installed. To accomplish this, select either the positive (+OL) or negative (-OL) position on S4, located on the Main PCB (refer to Section 4 for access to the Main PCB), depending upon whether the Limits Option is set to greater than (>), or less than or equal (≤). If the limits are set for >, the S4 switch should be set to +OL for an open thermocouple to close the relay contacts for a signal. Conversely, for a signal with a ≤ limit, -OL should be selected.

2-24. Microcomputer Identification

2-25. The type of microcomputer installed in your instrument will determine the types of thermocouples that may be used. To determine the type of microcomputer you are using, connect the 2190A to line power and turn it on. For approximately the first ten seconds, the 2190A will display the microcomputer version, a decimal point, and the type of microcomputer in use. Example: A display reading of "9004.1" at turn on indicates that a type 1 of the 9004 version microcomputer is installed. Table 2-2 lists the microcomputer types with the thermocouples that they are programmed for.

2-26. OPERATION

2-27. Thermocouple Installation

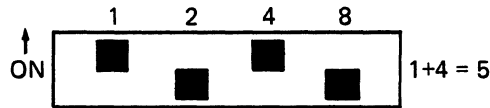
2-28. Select the desired thermocouple range using the following procedure:

1. Remove the Thermocouple Input Module from the instrument through the access port on the rear panel, refer to Figure 2-2.
2. Connect the selected thermocouple to the input terminals on the isothermal block.

Table 2-2. Thermocouple Input Module Switch Settings.

DISPLAY AT TURN ON	MICROCOMPUTER TYPE	TYPE SELECT SWITCH SETTING (S1)									
		0	1	2	3	4	5	6	7	8*	9*
9004.1 or 9005.1 or 9005.2 or 9005.3	1	J	K	T	C			R		CAL	CAL
	2	J	K		E		S	R		CAL	CAL
	3	J**	K	T**		B		R		CAL	CAL

Example: To select a switch setting of 5, position the thermocouple type select switches as shown:



- * In these positions the display will have a maximum range of 99 999 μ V with 1 μ V resolution.
- ** DIN standard

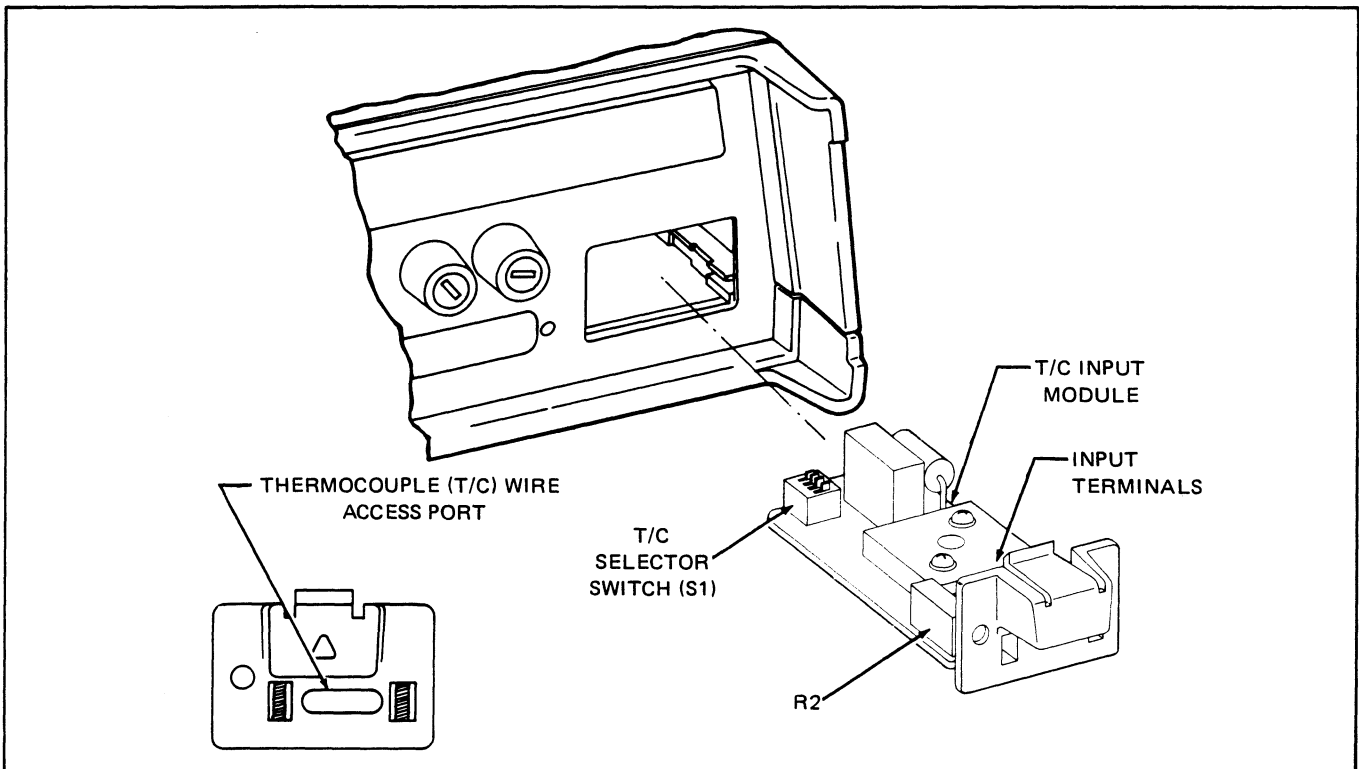


Figure 2-2. Thermocouple PCB Access

3. Set the thermocouple selector switch to the setting shown in Table 2-2 and on the pcb beside the isothermal block, for the thermocouple installed.
4. Connect the Thermocouple Input Module to the instrument Main PCB through the access port on the rear panel.
5. Verify that the instrument has been calibrated for the thermocouple in use. See Section 4 "Thermocouple Input Calibration" for more information.

2-29. Thermometer Operation

2-30. Operate the 2190A Digital Thermometer using the following procedure:

1. Verify that the instrument has the correct thermocouple connected, or install the desired thermocouple using the procedure previously given in this section.
2. Connect the input line cord to the applicable power source.
3. Select the temperature scale desired for display with the front panel SCALE switch (in for °C and out for °F).

NOTE

If Option -006 is installed the FUNCTION thumbwheels must be set for Limits (> or ≤) for a direct temperature reading.

4. Select POWER ON.

NOTE

Refer to Section 6 of this manual or applicable accessory manuals, for instructions on the operation of any installed options or connected accessories.

5. Expose the thermocouple probe to an unknown temperature or the temperature to be monitored, within the thermocouple's specified range (see Specifications in Section 1).
6. The probe temperature, in the scale selected, is displayed on the front panel.

2-31. Voltage Measurements

2-32. The 2190A may be used to measure positive or negative voltages up to 99.999 mV with 1 μV resolution. When using the 2190A to measure voltages, the temperature units (°C, °F) are to be ignored. Since the decimal point will be fixed, ignore it and read the display in μV. Example: 99 mV input = display of "9900.0" °F or °C. Use the following steps to measure voltages with your 2190A.

1. Remove the 2190A's Thermocouple Input Module, refer to Figure 2-2.
2. On the Thermocouple Input Module, set select switches to position #8 or #9 (refer to Table 2-2 for switch selection, and Table 2-3 for switch functions). Replace the Thermocouple Input Module.

NOTE

For the following steps the source resistance must be kept below 2 kΩ or a 0.1 μF capacitor must be placed across TC+, TC-.

3. Connect the unknown voltage to TC+ and TC-.
4. Turn the 2190A on, display will now read in μV units.

Table 2-3. T/C Input Module Switch Functions

SWITCH	SWITCH POSITION	SWITCH FUNCTIONS
S1	0 - 6	Programs the microcomputer (μc) for each T/C probe type (see Table 2-2).
	7	Not Used
	8, 9	"CAL", programs the μc to read μV (bypasses the linearization program).

Section 3

Theory of Operation

3-1. INTRODUCTION

3-2. This section of the manual contains an overall functional description, followed by a brief circuit analysis of the 2190A Digital Thermometer. Simplified circuit diagrams are provided, as necessary, to supplement the text. Detailed schematics are given in Section 8 of this manual.

3-3. OVERALL FUNCTIONAL DESCRIPTION

3-4. The Model 2190A Digital Thermometer, shown in Figure 3-1, is a 5-digit microcomputer controlled thermocouple thermometer capable of resolving 0.1°C or 0.1°F over temperature range of -252° to 2471°C or -486° to 4480°F . It features a reference-junction compensator (eliminating the need for an ice bath reference-junction), dual-slope A/D conversion technique, microcomputer control logic, and a 5-digit display with temperature scale indicator.

3-5. In operation, the 2190A executes a continuous series of measurement cycles to update the temperature display. The measurement cycle is controlled entirely by the microcomputer and includes three major subcycles: the Auto-Zero, Integrate, and Read periods. Each subcycle controls the operation of the analog section of a dual-slope integrator, which in turn, generates a compare output, which is used by the microcomputer to generate the proper control signals. (In addition to these major subcycles, a recovery signal is applied at the end of the read period to assist the Auto-Zero period.)

3-6. The configuration of the analog section during each phase of the measurement cycle, is established by the condition of microcomputer controlled FET switches. The measurement cycle begins with the Auto-Zero period. During this period, the input to the Buffer Amplifier is connected to ground through an FET switch and the accumulated dc offset voltages present in the analog section are sampled and held by the Auto-Zero

capacitor. This voltage is used later in the measurement cycle to cancel measurement errors introduced by offset voltages present in the analog circuitry. As a result, the final measurement is proportional to the thermocouple probe output voltage and does not include offset errors.

3-7. During the Integrate period, the thermocouple input voltages (probe voltage and input terminal voltages) are applied to the integrator and the algebraic sum of these voltages is integrated over a 100 ms period. At the end of this period the thermocouple input voltages are removed from the integrator and the Read period is started.

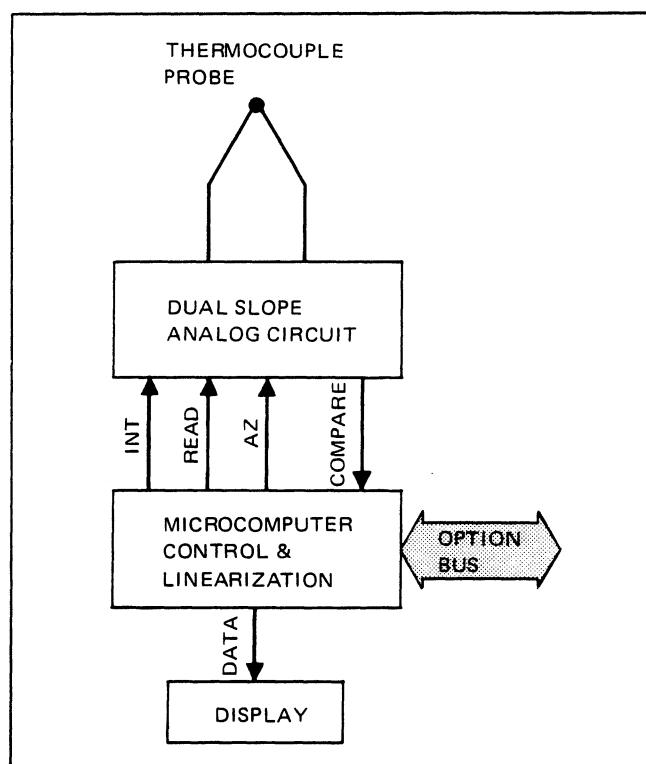


Figure 3-1. 2190A Simplified Block Diagram

3-8. A reference voltage is applied to the integrator during the Read period, causing the integrator capacitor to be discharged at a linear rate. When the integrator output reaches the voltage stored on the Auto-Zero capacitor a compare signal is generated to end the Read period. The duration of the Read period is translated by the microcomputer to provide a digital indication proportional to the thermocouple probe voltage.

3-9. To compensate for the error voltage present on the input terminals, the microcomputer configures the analog portion to do a complete conversion cycle on the reference-junction voltage every 11th read cycle. This voltage is generated by a transistor which is at the same temperature as the input terminals. The microcomputer uses the number generated during the Read period to compensate the input voltage and display the actual probe temperature.

3-10. CIRCUIT ANALYSIS

3-11. Circuit analysis of the 2190A is discussed in two sections; digital and analog. The digital section is covered first and particular attention is paid to the control it exercises on the analog section. The analysis of the analog section covers the analog measurement circuitry and the power supply.

3-12. Digital Section

3-13. The digital section of the 2190A consists of a single-chip microcomputer (U4), which has a self-contained, programmed, read only memory; a hex CMOS open drain buffer (U3) and an LED display. Its function is to convert the non-linear thermocouple probe voltage, as measured by the analog section, into a linear digital display, provide the necessary control signals to the analog section and to provide control for all accessories on an accessory bus. The 2190A LED display provides a direct reading of the probe temperature in °C or °F.

3-14. The microcomputer contains all 2190A program, control logic, and linearizing capability and provides the display with all signals necessary to update the display. The linearization of the non-linear input signal is accomplished by selecting one-of-several programs which compute the correct temperature using a 4th-order, curve-fit approximation of the probe output. The operating program is selected to match a particular thermocouple type and is enabled by the numeric setting corresponding to the thermocouple type in use. The rotary switch is located on the thermocouple input assembly next to a table showing the switch setting applicable to the thermocouple type in use.

3-15. Measurement data is continuously strobed out of the microcomputer in decoded-seven-segment, character-

serial format and sent to the LED display. With an overload condition the display flashes on and off. An "O.C." display indicates an open thermocouple probe condition.

3-16. The basic measurement cycle shown in Figure 3-2, consists of three major subcycles; a 100 ms minimum Auto-Zero period, a 100 ms Integrate period, and a variable Read period. The total measurement cycle time consists of 300 ms; 100 ms to integrate, up to 100 ms to the Read period, and the remaining time to the Auto-Zero period. (Auto-Zero time will vary from 100 to 200 ms.) To accommodate settling times in the analog section a (Δ) 2, (1 ms nominal) hold signal is inserted at the beginning and at the end of the Integrate period.

3-17. Analog Section

3-18. ANALOG MEASUREMENT CIRCUIT

3-19. The analog circuit is shown in simplified form in Figure 3-3. It consists of a thermocouple input circuit, a reference-junction compensator, a voltage reference, a buffer amplifier, an integrator, a gain stage, a comparator, and a combination of FET switches. The switches are shown in their open state and are closed by the measurement cycle commands generated by the microcomputer.

3-20. The Thermocouple Input circuit consists of an R-C filter and a pair of voltage protection diodes. The difference between the thermocouple probe voltage and the input terminal voltage is passed through the filter and appears at FET switch Q15. The R-C filter increases the normal mode rejection capability of the 2190A.

3-21. The reference-junction compensator consists of an isothermal block, a pair of screw type input terminals and a transistor temperature sensor, (all on the Thermocouple Input Assembly). The isothermal block maintains a negligible temperature differential between the input terminals and the temperature sensing transistor. Thermocouple voltages introduced by the dissimilar metals at the input terminals vary as the isothermal block adjusts to ambient temperature. Temperature changes are sensed by the forward biased transistor to produce a correction voltage which is read by the analog measurement circuitry every eleven cycles. The reading is saved by the microcomputer and is used to compensate for the error voltages present at the input terminals. Predictable characteristics of a forward-biased P-N junction allow the reference-junction compensator to function over a wide temperature range. This correction voltage occurs at FET switch Q17.

3-22. The voltage reference consists of a thin-film resistor network supplied by an accurate 6.2V dc reference voltage. The divider is set to provide 100 mV and 200 mV. These voltages appear at FET switches Q12 and Q13, respectively.

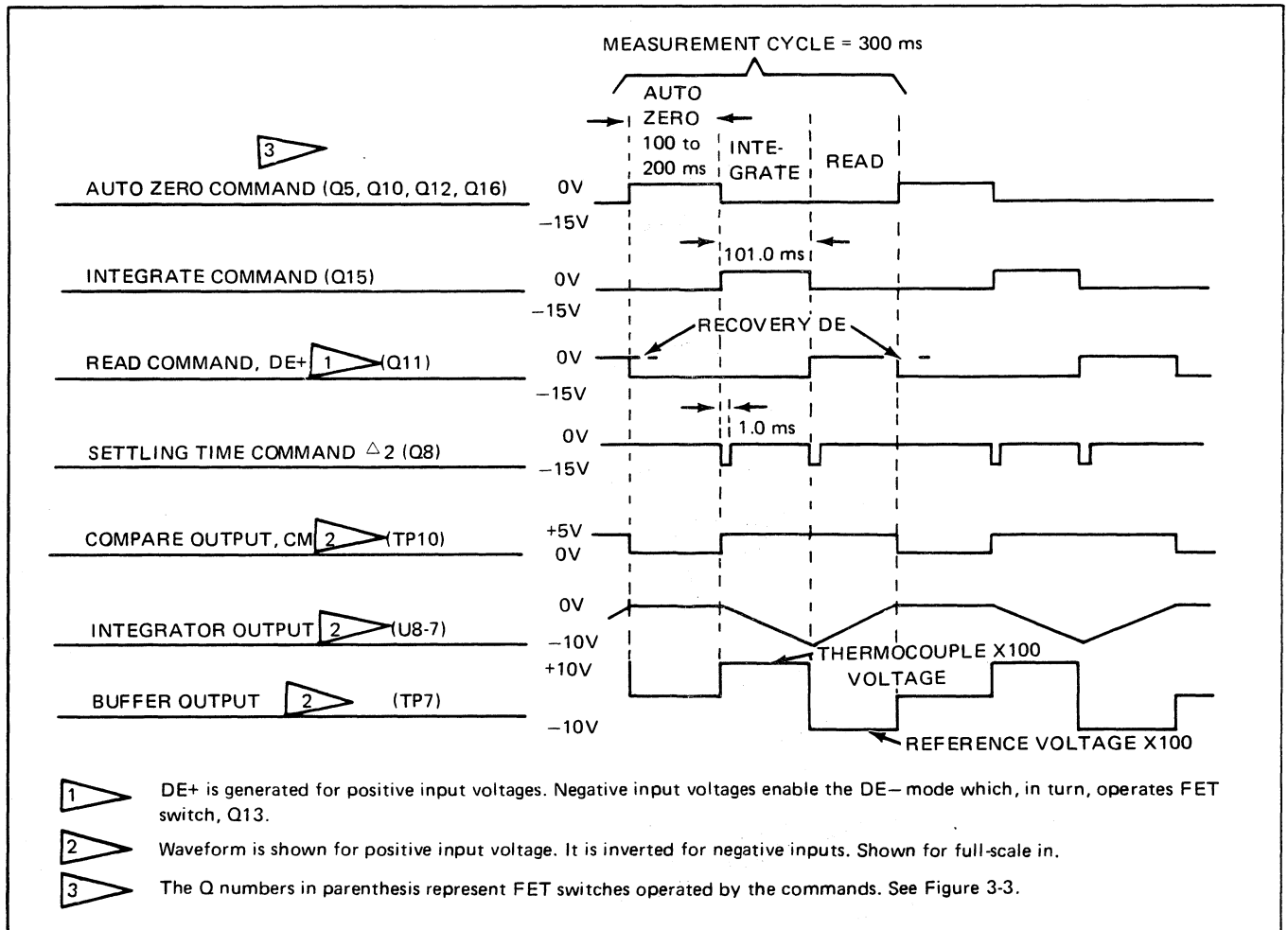


Figure 3-2. Measurement Cycle Waveforms

3-23. The Buffer, Integrator, Gain Stage, and Comparator Amplifiers combine to perform the analog functions of the Integrate, Read, and Auto-Zero periods. The Buffer is used to provide integrator inputs during all three periods. The Integrator integrates the Buffer output voltage during the Integrate and Read periods and, in combination with the Gain Stage, functions as a closed-loop amplifier during the Auto-Zero period.

3-24. During the first phase of each measurement cycle, the analog section goes through an Auto-Zero period. During this time, four auto-zero switches (Q12, Q16, Q6, and Q10) are closed by the Auto-Zero command from the microcomputer. Two of the switches (Q12 and Q16) charge the reference capacitor to 100 mV. Switch Q16 also zeroes the input to the buffer amplifier. The third switch, Q6 connects the Integrator and Gain Stage into a closed-loop configuration and allows the auto-zero capacitor (C10) to charge to a value which is proportional to the algebraic sum of all the offset voltages present in the Buffer, Integrator, and Gain Stage. At the end of the Auto-Zero period, switches Q12, Q16, Q6 and Q10 are opened. The VREF capacitor and the auto-zero capacitor retain their charge for use later in the measurement cycle.

3-25. The Integrate period (see Figure 3-2) starts on the leading edge of the integrate command from the microcomputer; switch Q15 is closed and switch Q8 is opened. The thermocouple input voltage is applied through switch Q15 to the buffer input. After a 1 ms settling period, switch Q8 closes and the buffer output is applied to the Integrator for 100 ms. As the integrator capacitor charges, the Integrator drives the comparator (through the Gain Stage) to either 0 or +5V dc to indicate the polarity of the thermocouple input voltage, negative or positive, respectively. At the end of the Integrate period, the integrate capacitor is charged to a level and polarity which are proportional to the thermocouple input voltage and switches Q15 and Q8 return to the open state.

3-26. The Read period starts at the end of the Integrate period and one-of-two Read modes is enabled depending upon the input polarity sensed by the comparator during the Integrate period. If a positive input is sensed, a positive Read mode is enabled. Similarly, a negative Read mode is enabled when a negative input is sensed.

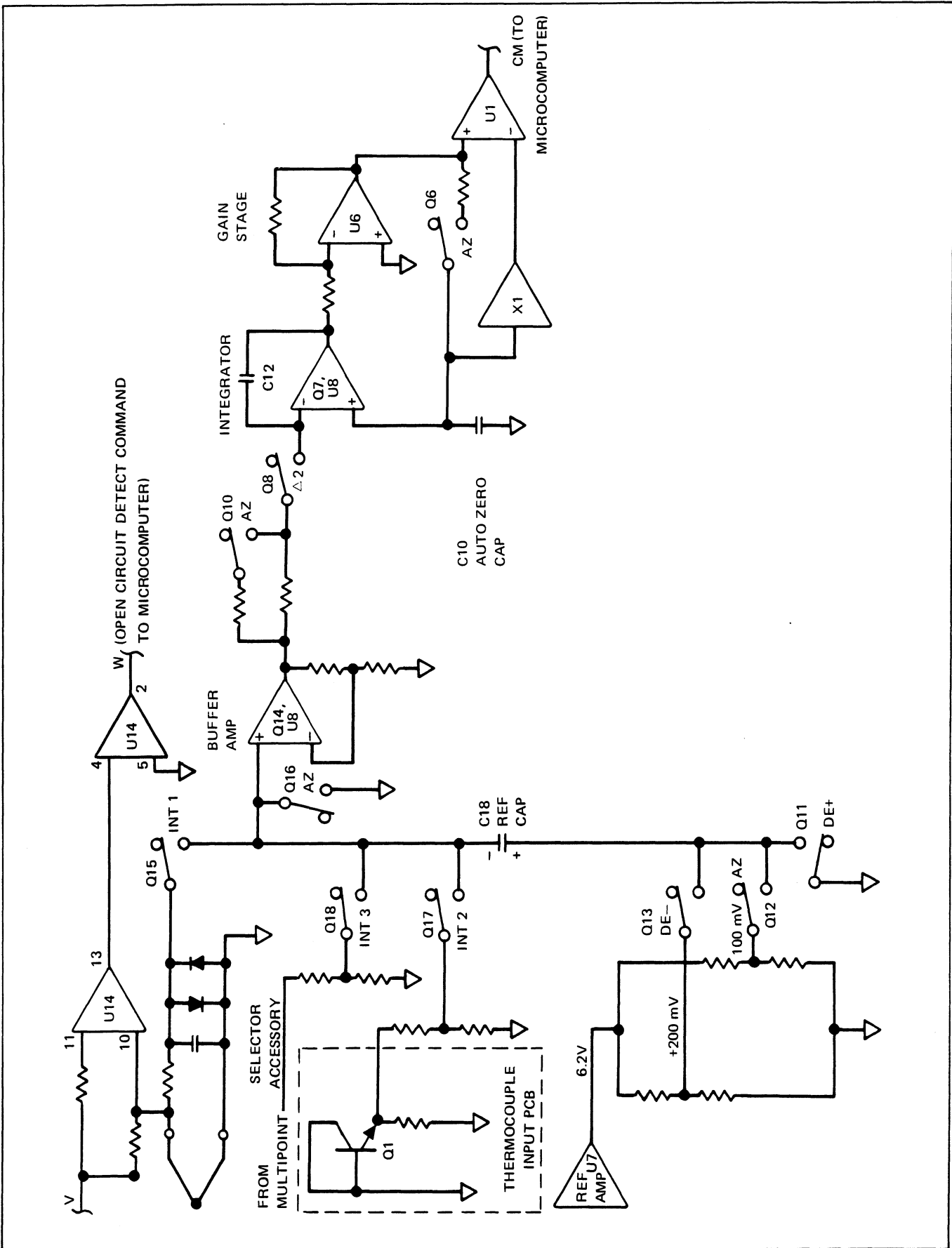


Figure 3-3. Simplified Schematic – Analog Section

3-27. If the positive Read mode is commanded, FET switch Q11 is closed. This grounds the positive end of the VREF capacitor which effectively applies -100 mV to the input of the buffer.

3-28. If the negative Read mode is commanded, switch Q13 is closed connecting the positive end of the VREF capacitor to $+200$ mV. Therefore, the voltage applied to the buffer is the algebraic sum of 200 mV and the voltage across the reference capacitor. This effectively applies $+100$ mV to the input of the buffer.

3-29. After a 1 ms settling time, switch Q8 closes and the buffer output voltage is applied to the integrator input, causing the integrator capacitor to discharge at a linear rate determined by the reference voltage. The discharge continues until the integrator voltage reaches the comparator trip point, which is referenced to the voltage on the auto-zero capacitor. When this level is reached the comparator changes state, commanding the microcomputer to terminate the Read period. To facilitate Auto-Zero, the microcomputer then calls a reference voltage opposite in polarity to the one previously used. When the integrator again reaches the trip point, the microcomputer immediately begins the Auto-Zero period.

3-30. Offset voltages present during the Integrate and Read periods are cancelled by offset voltages that were sampled and held during the Auto-Zero period. However, during conversion within the microcomputer, the temperature corresponding to the reference-junction

voltage is added to the measurement data and, as a result, the displayed temperature is equal to the thermocouple probe temperature.

3-31. O.C. DETECTOR

3-32. The open thermocouple detector (U14 and its associated circuitry) on the thermometer is used to determine whether or not the impedance at the input terminals exceeds a predetermined level. It therefore provides an indication of a broken or faulty thermocouple. A square wave is applied to the input of the thermometer and its magnitude is compared to a reference square wave. If the reference is exceeded, an open circuit condition is detected. This occurs at a nominal 2 k Ω .

3-33. POWER SUPPLY

3-34. The 2190A power supply consists of a DC-to-DC Converter and voltage regulating circuitry. AC inputs are made via the input power cord, line fuse, and power transformer/rectifier. External $+12$ volt dc inputs can also be made directly to the DC-to-DC Converter via line TB1 (see Main PCB schematic, Section 8). The function of the power supply is to provide $+5$, $+15$, and -15 dc operation voltages for the 2190A circuitry. The power supply can be driven from AC line or 12 V dc external source. The DC-to-DC conversion and voltage regulation is accomplished using conventional power supply design techniques.

Section 4

Maintenance

WARNING

THESE SERVICING INSTRUCTIONS ARE FOR USE BY QUALIFIED PERSONNEL ONLY. TO AVOID ELECTRIC SHOCK, DO NOT PERFORM ANY SERVICING OTHER THAN THAT CONTAINED IN THE OPERATING INSTRUCTIONS, UNLESS YOU ARE QUALIFIED TO DO SO.

4-1. INTRODUCTION

4-2. This section of the manual provides information about warranty, factory service, maintenance, performance testing, routine recalibration, and recalibration after repair. The performance test is recommended when the instrument is received and later as a preventive maintenance tool or for testing after repair. The test verifies performance at several temperatures within the range of a given thermocouple type. Specifications are provided both for annual and for a more precise 90-day performance-testing cycle.

4-3. SERVICE INFORMATION

4-4. The instrument is warranted for a period of 1-year upon delivery to the original purchaser. The WARRANTY is located on the back of the title page located in the front of this manual.

4-5. Factory authorized calibration and service for each Fluke product is available at various worldwide locations. A complete list of these service centers is included in Section 7 of this manual. If requested, an estimate will be provided to the customer before any work is begun on instruments that are beyond the warranty period.

4-6. GENERAL MAINTENANCE

4-7. Instrument Disassembly

4-8. Removal of the instrument from its case is necessary only for maintenance. Routine calibration can be done without such removal. Disassemble the thermometer using the following procedure:

1. Remove the Thermocouple Input PCB Assembly through its access port in the rear panel.
2. Remove the four screws on the bottom of the instrument that secure the two halves together and lift the top cover free.
3. Remove the Output Option, if installed and required, by removing the three screws connecting it to the Main PCB, disconnecting the interconnect cables at J1 and J3, and lifting the Option PCB clear.
4. Remove the screw securing the center of the Main PCB to the bottom portion of the case.
5. Lift the Main PCB, complete with front and rear panels, clear of the case.

6. Remove the front panel, if required, by disconnecting the guard screw at the lower right corner; disconnecting the front panel interconnect cable at J6; disconnecting, if installed, the Limits Option interconnect cable at J4, and moving the front panel forward.

7. Remove the rear panel, if required, by removing the three screws attaching it to the Main PCB; disconnecting the wires from the input line power connector; unsoldering the wires from two fuse holders and moving the rear panel free.

8. Perform reassembly in the reverse order.

4-9. Input Line Power Selection

4-10. Input line power voltage is selected by positioning the slot on two switches. Figure 4-1, shows the switches on the right edge of the Main PCB set for 120 volt ac operation. Table 4-1, lists the switch settings for other line voltages available.

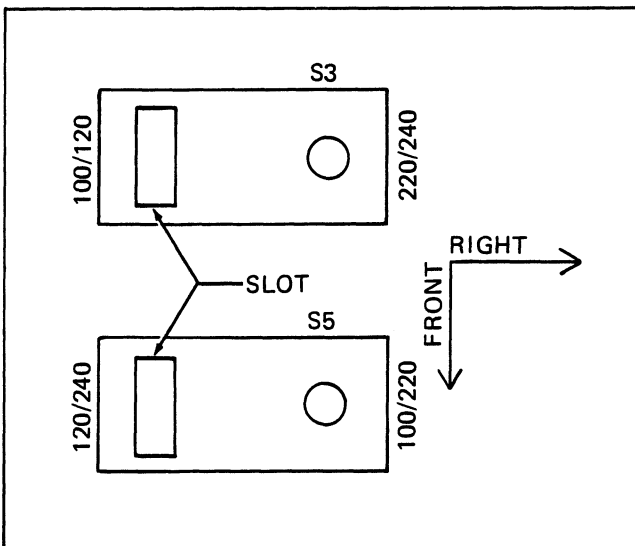


Figure 4-1. Line Voltage Selection Switches

Table 4-1. Line Voltage Selection Switches Positioning

VOLTAGE	S3 SLOT (REAR SW)	S5 SLOT (FRONT SW)
100	Left	Right
120	Left	Left
220	Right	Right
240	Right	Left

4-11. Cleaning

4-12. Clean the instrument periodically to remove dust, grease, and other contamination. Use the following procedure:

CAUTION

Do not use aromatic hydrocarbons or chlorinated solvents for cleaning. They will react with plastic materials used in the manufacture of the instrument.

1. Clean the front panel and case with a soft cloth dampened with a mild solution of detergent and water.

2. Clean the surface of the pcb using clean, dry air at low pressure (≤ 20 psi). If grease is encountered, spray with Freon T.F. Degreaser or anhydrous alcohol and remove grime with clean, dry air at low pressure.

4-13. Fuse Replacement

WARNING

DISCONNECT THE UNIT FROM LINE POWER BEFORE ATTEMPTING FUSE REPLACEMENT.

4-14. The 2190A has two fuses, both accessible on the rear panel. F1 is for the input line power and should be replaced, when necessary, with a 1/8A MDL (slo-blo) fuse when the input line power selected is 100V or 120V. When the input power selected is 220V or 240V, F1 should be replaced with a 1/16A MDL fuse. F2 is for the 12V dc external power and requires 3/4A MDL fuse.

4-15. Service Tools

4-16. No special tools are required for maintenance or repair.

4-17. PERFORMANCE TEST

4-18. The performance tests listed here (Ambient Temperature or Ice Bath Test) perform the same function, specifically, verifying instrument performance to its specifications. Either test may be used for initial acceptance, verifying calibration, or as an aid in troubleshooting. Both tests need not be performed. If the thermometer fails to meet specifications in either performance test, the calibration adjustment procedure or troubleshooting should be performed, as determined by qualified personnel.

4-19. Table 4-2, lists the equipment required for the performance test and calibration adjustment procedure. If the recommended model of test equipment is not

available, a substitute that meets the minimum use specifications may be used. The test should be conducted with an ambient temperature of $25 \pm 2^\circ\text{C}$ ($77.0 \pm 3.6^\circ\text{F}$).

4-20. Ambient Temperature Test

4-21 Use the following procedure to test the instrument at ambient temperature:

1. Turn the POWER switch OFF and remove the line power cord from the line voltage source.
2. Select the switch position on the Thermocouple Input Module corresponding to the microcomputer and thermocouple type in use, see Table 2-2.
3. Connect the equipment as shown in Figure 4-2.

Table 4-2. Test Equipment Requirements

TEST EQUIPMENT	MINIMUM USE SPECIFICATIONS	RECOMMENDED MODEL
Thermocouple Wires	Type K preferred	Omega or manufacture specification
Mercury Thermometer (either °C or °F)	0.02° C resolution 0.05° F resolution	Princo Model ASTM56C Princo Model ASTM56F
Dewar Flask/Cap	1-pint capacity	Thermos
DC Voltage Calibrator	Output Voltage 0 to 10V Accuracy: 0.002% Resolution: 100 uV	Fluke Model 343A
Voltage Divider 100:1 Kelvin-Varley Divider (Shunt output with 1 uF capacitor)	Ratio: 0.005%	Fluke Y2022 or Fluke 720A or Fluke 750A
Variable Line-Voltage Transformer	100, 115, 230V ac, as required, ±10%	General Radio VARIAC W5HM
Decade Resistor	Accuracy: 1% Ranges: 1k, 10k, and 100k	General Radio 1434
Voltmeter	Resolution: 100 μV Accuracy: .008%	Fluke 8800A

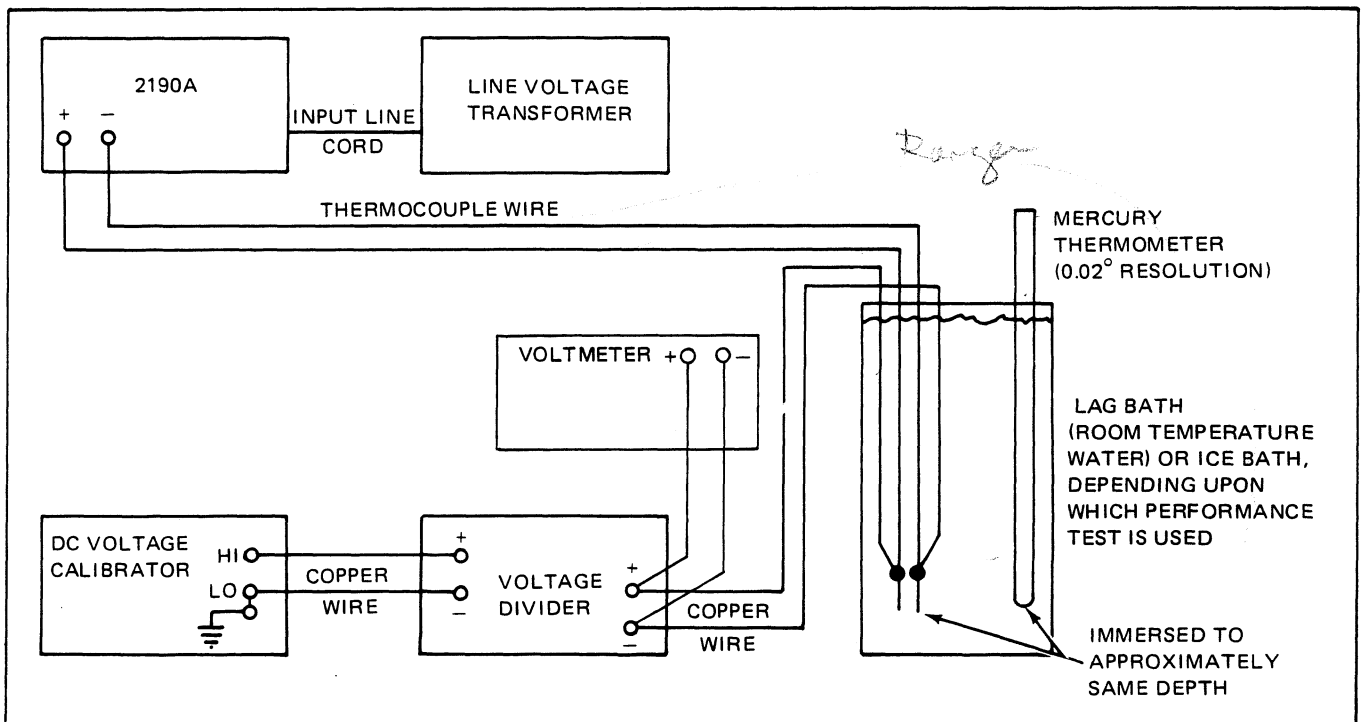


Figure 4-2. Equipment Connections

NOTE

Whenever the 720A or 750A is used as the divider a 1 μ F capacitor must be placed across its output terminals, otherwise an open thermocouple condition will result.

4. Verify that the POWER switch is OFF, then adjust the line voltage transformer for the nominal input line voltage.
5. Turn the POWER switch ON.
6. Allow the 2190A to stabilize (at least 5 minutes).
7. Select the temperature scale ($^{\circ}$ C or $^{\circ}$ F) on the 2190A to agree with the temperature scale of the mercury thermometer in the lag bath.
8. Read the temperature of the mercury thermometer and find the corresponding mV reading to this temperature (refer to the Thermocouple Reference Tables in Section 7B of this manual). Interpolation may be used as necessary.
9. Algebraically subtract the mV reading found in step 8 from the first value found under the "Divider Output mV" column of Table 4-3, for the microcomputer and corresponding thermocouple type in use.
10. Obtain a divider output equal to the result found in step 9 by adjusting the calibrator, or if using the 720A or 750A, adjust the divider.
11. Verify that the 2190A reads the value listed in Table 4-3, within the limits specified (90-day or 1-year as required).

12. Repeat steps 8, 9, 10, and 11 for the remaining voltages in the "Divider Output mV" column.

13. Set the line voltage transformer for line voltage minus ten percent and repeat the test for one thermocouple type.

14. Set the line voltage transformer for line voltage plus ten percent and repeat the test for one thermocouple type.

15. Set the line voltage transformer for the input line voltage.

16. Disconnect the thermocouple from the input terminals.

17. This completes the performance test.

4-22. Ice Bath Construction

4-23. To construct an ice point bath, use the following procedure:

1. Prepare a thermos by drilling two holes in its cap to accept the thermometer and thermocouple wires or use a standard laboratory cork.
2. Fill the thermos with shaved or crushed ice made from distilled water.
3. Fill the thermos with enough distilled water so that the ice becomes slush, but not enough to float the ice.

NOTE

As the ice melts, siphon off the excess water and add more ice. Allow approximately 5 to 10 minutes for the water to drop back to the freezing point.

4. Replace the thermos cap or cork and insert thermocouple wires and thermometer as shown in Figure 4-2.

Table 4-3. Performance Test Values

THERMOCOUPLE TYPE	DIVIDER OUTPUT mV	$^{\circ}$ F (2190A DISPLAY)		$^{\circ}$ C (2190A DISPLAY)	
		90 DAY	1 YEAR	90 DAY	1 YEAR
MICROCOMPUTER TYPE #1					
J	-5.553	-190 ± 0.2	-190 ± 0.2	-123.3 ± 0.2	-123.3 ± 0.2
	-2.483	-60.0 ± 0.2	-60.0 ± 0.2	-51.1 ± 0.2	-51.1 ± 0.2
	23.317	800.0 ± 0.2	800.0 ± 0.3	426.7 ± 0.2	426.7 ± 0.2
K	-4.230	-190 ± 0.3	-190 ± 0.3	-123.3 ± 0.2	-123.3 ± 0.2
	-1.929	-60 ± 0.3	-60 ± 0.3	-51.1 ± 0.2	-51.1 ± 0.2
	26.975	1200 ± 0.5	1200 ± 0.5	648.9 ± 0.3	648.9 ± 0.3
	52.939	2400 ± 0.7	2400 ± 0.7	1315.6 ± 0.4	1315.6 ± 0.4

Table 4-3. Performance Test Values (cont)

THERMOCOUPLE TYPE	DIVIDER OUTPUT mV	°F (2190A DISPLAY)		°C (2190A DISPLAY)	
		90 DAY	1 YEAR	90 DAY	1 YEAR
MICROCOMPUTER TYPE #1 (cont)					
T	-6.105	-400 ± 0.3	-400 ± 0.3	204.4 ± 0.2	204.4 ± 0.2
	-4.009	-190 ± 0.3	-190 ± 0.3	-123.3 ± 0.2	-123.3 ± 0.2
	8.062	350 ± 0.3	350 ± 0.3	176.7 ± 0.2	176.7 ± 0.2
	20.458	740 ± 0.4	740 ± 0.4	393.3 ± 0.2	393.3 ± 0.2
C	0.522	100 ± 0.3	100 ± 0.3	37.8 ± 0.2	37.8 ± 0.2
	19.947	2000 ± 0.6	2000 ± 0.7	1093.3 ± 0.4	1093.3 ± 0.4
	36.539	4100 ± 1.1	4100 ± 1.2	2260.0 ± 0.6	2260.0 ± 0.6
R	1.508	400 ± 0.4	400 ± 0.4	204.4 ± 0.3	204.4 ± 0.3
	8.141	1500 ± 0.6	1500 ± 0.7	815.6 ± 0.4	815.6 ± 0.2
	20.275	3100 ± 0.9	3100 ± 1.0	1704.4 ± 0.6	1704.4 ± 0.6
MICROCOMPUTER TYPE #2					
J	-5.553	-190 ± 0.2	-190 ± 0.2	-123.3 ± 0.2	-123.3 ± 0.2
	-2.483	-60.0 ± 0.2	-60.0 ± 0.2	-51.1 ± 0.2	-51.1 ± 0.2
	23.317	800.0 ± 0.2	800.0 ± 0.3	426.7 ± 0.2	426.7 ± 0.2
K	-4.230	-190 ± 0.3	-190 ± 0.3	-123.3 ± 0.2	-123.3 ± 0.2
	-1.929	-60 ± 0.3	-60 ± 0.3	-51.1 ± 0.2	-51.1 ± 0.2
	26.975	1200 ± 0.5	1200 ± 0.5	648.9 ± 0.3	648.9 ± 0.3
	52.939	2400 ± 0.7	2400 ± 0.7	1315.6 ± 0.4	1315.6 ± 0.4
E	-9.604	-400 ± 0.3	-400 ± 0.3	204.4 ± 0.2	204.4 ± 0.2
	-6.471	-200 ± 0.3	-200 ± 0.3	-128.9 ± 0.2	-128.9 ± 0.2
	35.562	900 ± 0.3	900 ± 0.4	482.2 ± 0.2	482.2 ± 0.2
	75.024	1800 ± 0.6	1800 ± 0.6	982.2 ± 0.3	982.2 ± 0.3
R	1.508	400 ± 0.4	400 ± 0.4	204.4 ± 0.3	204.4 ± 0.3
	8.141	1500 ± 0.6	1500 ± 0.7	815.6 ± 0.4	815.6 ± 0.2
	20.275	3100 ± 0.9	3100 ± 1.0	1704.4 ± 0.6	1704.4 ± 0.6
S	1.962	500 ± 0.3	500 ± 0.4	260.0 ± 0.2	260.0 ± 0.2
	7.514	1500 ± 0.5	1500 ± 0.6	815.6 ± 0.3	815.6 ± 0.3
	17.782	3064 ± 0.8	3064 ± 0.9	1684.4 ± 0.5	1684.4 ± 0.5
MICROCOMPUTER TYPE #3					
JDIN*	-4.33	-130.0 ± 0.3	-130.0 ± 0.3	-90.0 ± 0.2	-90.0 ± 0.2
	10.95	392.0 ± 0.3	392.0 ± 0.4	200.0 ± 0.2	200.0 ± 0.2
	42.92	1382.0 ± 0.5	1382.0 ± 0.5	750.0 ± 0.3	750.0 ± 0.3
K	-1.527	-40.0 ± 0.3	-40.0 ± 0.3	-40.0 ± 0.2	-40.0 ± 0.2
	26.975	1200.0 ± 0.5	1200.0 ± 0.5	648.9 ± 0.3	648.9 ± 0.3
	52.939	2400.0 ± 0.7	2400.0 ± 0.7	1315.6 ± 0.4	1315.6 ± 0.4
TDIN*	-5.510	-310.0 ± 0.3	-310.0 ± 0.3	-190.0 ± 0.2	-190.0 ± 0.2
	2.480	140.0 ± 0.3	140.0 ± 0.3	60.0 ± 0.2	60.0 ± 0.2
	20.380	734.0 ± 0.4	734.0 ± 0.4	390.0 ± 0.2	390.0 ± 0.2
B	0.891	797.0 ± 0.5	797.0 ± 0.5	425.0 ± 0.3	425.0 ± 0.3
	6.783	2192.0 ± 0.7	2192.0 ± 0.8	1200.0 ± 0.4	1200.0 ± 0.4
	13.699	3290.0 ± 0.9	3290.0 ± 1.0	1810.0 ± 0.5	1810.0 ± 0.5
R	1.508	400.0 ± 0.4	400.0 ± 0.4	204.4 ± 0.3	204.4 ± 0.3
	8.141	1500.0 ± 0.6	1500.0 ± 0.6	815.6 ± 0.4	815.6 ± 0.4
	20.215	3062 ± 0.9	3062 ± 0.9	1700 ± 0.6	1700 ± 0.6

* European Standard

4-24. Ice Bath Test

4-25. Use the following procedure to test the 2190A using an ice point bath:

1. Repeat steps 1 through 7 of ambient temperature test; verify that the temperature of the water is at the freezing point.
2. Using Table 4-3 (for the corresponding microcomputer and thermocouple type) obtain a divider output equal to the first value of the "Divider Output mV" column and verify that the 2190A reads within the limits specified, 90-day or 1-year.
3. Repeat step 2 for the remaining voltages in the "Divider Output mV" column.
4. Repeat steps 13 through 17 of ambient temperature test.

4-26. CALIBRATION ADJUSTMENT PROCEDURE

4-27. The thermometer should be calibrated at either 90-day or annual periods, depending upon the accuracy desired, and any time that repairs are made to the instrument. Either scale can be verified by executing the performance test previously given. The microcomputer can also be changed without effecting the calibration of the instrument.

4-28. Equipment Preparation

4-29. Prepare the equipment for calibration using the following procedure:

1. Remove the top cover from the instrument.
2. Select switch setting of 9 (CAL) on the Thermocouple Input Module to disable the reference-junction circuitry (see Table 2-2).
3. Connect the equipment as shown in Figure 4-3. Refer to Table 4-2 for the applicable test equipment models.

NOTE

Insure the instrument warm-up period has been sufficient to reach rated accuracy (at least 5 minutes).

4. Select the desired temperature scale.

NOTE

If the Limits Option is installed select the LIMITS (\leq or $>$) function.

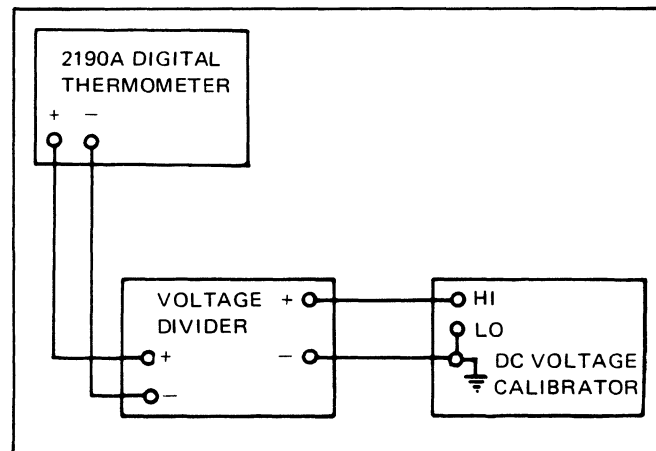


Figure 4-3. Calibration Adjustment Connections

4-30. Zero Adjustment

4-31. Perform zero adjustment using the following procedure:

1. Select a thermometer input, from the voltage divider, of $10.2 \mu\text{V}$ dc.
2. Record the thermometer display.
3. Reverse the polarity of the input by reversing the polarity of the calibrator output.
4. Record the thermometer display.
5. Adjust ZERO (R31) through the front panel access port and repeat steps 1 through 4 as required to obtain the same value in both step 2 and 4.
6. Adjust R14 for a thermometer display of 1.0 of the same polarity as the input.
7. Connect a test DMM between TP16 (HI) and TP1 (LO).
8. Adjust R17 for a DMM reading between 6.1999 and 6.2001V dc. Ignore any thermometer display.

4-32. Reference Adjustment

4-33. Perform the reference adjustment using the following procedure:

1. Select a thermometer input, from the voltage divider, of 99 mV dc.
2. Adjust +FS (R29) through the front panel access port for a display between 9899.9 and 9900.1.
3. Reverse the polarity of the input by reversing the polarity of the calibrator output.

4. Adjust -FS (R30) through the front panel access port for a display between 9899.9 and 9900.1.
5. Select a thermometer input, from the voltage divider, of 45 mV dc and verify the thermometer reads between 4499.9 and 4500.1.

4-34. Reference-Junction Adjustment

4-35. Perform the reference-junction adjustment using the following procedure:

1. Disconnect the voltage divider from the calibrator and the thermometer.
2. Select a calibrator output of +0.5785V dc.

CAUTION

Verify that the calibrator output is correct before applying it to the instrument.

3. Connect the calibrator between TP1 (HI) and TP17 (LO). Select switch position 1 (K) on the Thermocouple Input PCB Assembly, and short the thermocouple + and - input terminals with a short piece of copper bus wire.
4. Adjust R5 for a thermometer display of 77.0°F.
5. Disconnect the calibrator from the thermometer and remove the short on the thermocouple input terminals.

4-36. Thermocouple Input Calibration

4-37. Perform the thermocouple input calibration using the following procedure:

1. Connect a thermocouple to the thermometer input terminals (K-type preferred) select the applicable switch position and insert the probe into a lag bath.
2. Allow the system to stabilize, then adjust R1 on the Thermocouple Input Module through the rear access port for a temperature display equal to reading of the lag bath thermometer.
3. Calibration of the 2190A is complete. Disconnect all test equipment from the instrument.

4-38. SELECTED COMPONENT REPLACEMENT OR ADJUSTMENT

4-39. If the reference-junction transistor (Q1 on the Thermocouple Input PCB Assembly) is replaced or the

negative supplies repaired, the reference-junction bias resistor R3 must also be replaced. R3 is a selected resistor and must be individually matched to Q1. Prior to the matching procedure, calibrate the instrument using the standard procedure through the reference-junction adjustment and then replace the thermocouple input calibration portion of the procedure with the following:

1. Connect a thermocouple probe to the input terminals and select the applicable switch setting on the Thermocouple Input PCB Assembly (K-type thermocouple preferred) and insert the probe into a lag bath.
2. Center the reference-junction potentiometer R1.
3. Connect a decade box (see Table 4-2) in place of the reference-junction bias resistor.
4. Adjust the decade-resistance box for the value from Table 4-4 that causes the temperature to read closest to the lag bath temperature as monitored on the mercury thermometer.
5. Remove power, disconnect the decade box, and connect the resistor selected from the table.
6. Reapply power, allow the system to stabilize at its rated accuracy (at least 5 minutes), then adjust R1 through the rear panel access port for a temperature display equal to the reading of the lag bath mercury thermometer.
7. Calibration and component selection is complete. Disconnect all test equipment from the instrument.

Table 4-4. Bias Resistor Values

VALUE	JOHN FLUKE PART NUMBER	VALUE	JOHN FLUKE PART NUMBER
49.9k	268821	110k	234708
52.3k	237248	124k	288407
54.9k	271353	140k	289439
57.6k	289116	162k	375998
60.4k	291419	191k	375923
63.4k	235382	237k	288373
68.1k	236828	309k	235283
73.2k	23722	332k	289504
78.7k	289058	464k	271908
84.5k	229492	562k	235358
90.9k	223537	1.05M	260737
100k	248807	∞	OPEN

4-40. Multipoint Potentiometer Adjustment

4-41. The multipoint potentiometer (R57) is set at the factory and should not require further adjustment unless one of the other resistors in the divider (R1 and R2) or the capacitor (C19) require replacement. Adjustment of the potentiometer requires that a Y2001 Multipoint Selector or a 2300A Scanner may be connected to the instrument. Adjust R57 subsequent to replacement of any of the four affected components (C19, R1, R2, or R57) using the following procedure:

1. Connect a Y2001 Multipoint Selector or a 2300A Scanner to the instrument.
2. Short the input to one channel on the Y2001 or 2300A Scanner and select that channel on the front panel. (If a 2300A is used, select delay of 0.0.)

3. Obtain an output of 578.5 mV dc from a test dc calibrator.

4. Apply the output of the dc calibrator to TP1 (HI) and TP18 (LO).

5. Adjust R57 for a thermometer display of 77.0° F.

4-42. TROUBLESHOOTING

4-43. Troubleshooting for the 2190A consists of the tabular flow chart in Table 4-5. When a step on the flow chart is completed check for a decision transfer. If no decision is required perform the next step of the table in sequence.

Table 4-5. 2190A Troubleshooting

STEP NO.	ACTION	Go to the step number given for correct response	
		YES	NO
1	Short the thermocouple input.		
2	Set the thermocouple selector switch to position 8 or 9 (Cal. pos.).		
3	Apply power to the thermometer.		
4	Does the display read 2190.X for ten seconds and then change to 0° C (0° F)? NOTE: X = A numeral depending on the version of software installed.	14	5
5	Does any portion of the display illuminate?	13	6
6	Measure between TP2 and TP4 for +5 ±10% VDC, between TP1 and TP3 for +15 ±5% VDC, and between TP1 and TP2 for -15 ±5% VDC.		
7	Are all voltages correct?	12	8
8	Measure between Pin 8 of T2 and the negative end of C21 for a DC voltage greater than 10.3V and for a peak to peak wave form between Pins 8 and 9 of T2 approximately twice the value of the DC voltage measured at Pin 8.		
9	Are both signals present and correct?	11	10
10	Check the inverter circuit that drives the transformer (T2). Repair as required then resume at Step 3.		
11	Check the transformer secondaries and if any are bad, check the individual regulators and their associated components. NOTE: Analog circuitry may load down the ±15V supplies. Repair as required then resume at Step 3.		
12	Check the +5V path the the Display PCB and the Display PCB Connector. Repair as required then resume at Step 3.		
13	Check the strobes (U4-3, 4, 5, 6, 19) and display seven segment control lines (U4-8, 9, 10, 11, 12, 13, 14). Repair as required then resume at Step 3.		
14	Remove the input short.		

Table 4-5. 2190A Troubleshooting (cont)

STEP NO.	ACTION	Go to the step number given for correct response	
		YES	NO
15	Does the display read "O.C."?	17	16
16	Check U14-1, U14-2, U14-13 outputs and their associated components. Repair as required then resume at Step 14.		
17	Set the thermocouple selector switch to the setting of the type thermocouple to be connected in the next step.		
18	Connect a thermocouple to the thermometer and measure some known temperature.		
19	Is the displayed temperature correct?	41	20
20	Does the display read a flashing "O.C."?	21	22
21	Check the thermocouple components and the open thermocouple circuit (U14-1, U14-2, U14-13 and their associated components). Repair as required then resume at Step 17.		
22	Can the Calibration Adjustment Procedure be performed?	41	23
23	Are the control signals at U4 pins 26 through 32 toggling between high and low logic levels? NOTE: The INT 3 signal at pin 28 of U4 will remain low (0V) unless the multipoint selector accessory (Y2001) is connected. (Use TP2 as common.)	25	24
24	Replace the microcomputer U4 then resume at Step 17.		
25	Are the outputs of U3 and TP14 toggling between high and low logic levels? NOTE: The output at pin 9 of U3 will remain low (0V) unless the multipoint selector accessory (Y2001) is connected.	27	26
26	Check U3, Q4 and their associated components. Repair as required then resume at Step 17.		
27	Is the waveform at TP7 as shown in Figure 3-2 (Magnitude & Polarity varies with the input signal)?	34	28
28	Is there 6.2 Vdc at TP16. (Use TP1 as common.)	30	29
29	Check the Reference Circuit providing an input at U7-3 from the divider R18, R19, R17, R20, and VR1. Repair as required and resume at Step 17.		
30	Check from TP1 (analog ground) to U9-6 for 100 mV dc and for 200 mV dc at U9-9.		
31	Are both voltages present?	33	32
32	Check Q11, Q12, Q13 and associated components. Repair as required then resume at Step 17.		
33	Check the Thermocouple Input PCB plus U8-1, Q14, Q15, Q17, and their associated components. Repair as required then resume at Step 17.		
34	Is the waveform at U8-7 as shown in Figure 3-2 (Magnitude & Polarity varies with the input signal)?	38	35
35	Check the operation of Q7, Q8, Q9, Q10, U8 and their associated components. If any defective components are found, repair as required and resume at Step 13. If none are found proceed to the next step.		
36	Connect TP2 and TP5 with a jumper to lock the instrument in the Auto Zero period.		
37	Check U8, U2, U6 and their associated components. This circuit should now function as a closed loop amplifier. Repair as required. Remove the jumper between TP2 and TP5 and resume at Step 17.		

Table 4-5. 2190A Troubleshooting (cont)

STEP NO.	ACTION	Go to the step number given for correct response	
		YES	NO
38	Does TP10 toggle between the high and low logic levels?	40	39
39	Check U1 and its associated components then resume at Step 17.		
40	Replace the microcomputer U4, then resume at Step 17.		
41	Troubleshooting of the 2190A is complete. Remove all test equipment, reconnect any cables removed and close the instrument.		

Section 5

List of Replaceable Parts

TABLE OF CONTENTS

ASSEMBLY NAME	DRAWING NO.	TABLE		FIGURE	
		NO.	PAGE	NO.	PAGE
Final Assembly	2190A T&B	5-1	5-3	5-1	5-4
A1 Main PCB Assembly	2190A-4001T	5-2	5-6	5-2	5-8
A2 Display PCB Assembly	2190A-4002T	5-3	5-9	5-3	5-9
A3 Thermocouple Input PCB Assembly	2190A-4003T	5-4	5-10	5-4	5-10

5-1. INTRODUCTION

5-2. This section contains an illustrated parts breakdown of the instrument. A similar parts listing for each of the Options will be found in Section 6. Components are listed alphanumerically by assembly. Both electrical and mechanical components are listed by reference designation. Each listed part is shown in an accompanying illustration.

5-3. Parts lists include the following information:

1. Reference Designation.
2. Description of each part.
3. FLUKE Stock Number.
4. Federal Supply Code for Manufacturers. (See Section 7 for Code-to-Name list.)
5. Manufacturer's Part Number.
6. Total Quantity per assembly or component.
7. Recommended Quantity: This entry indicates the recommended number of spare parts necessary to support one to five instruments for a period of two years. This list presumes an availability of common electronic parts at the maintenance site. For maintenance for one year or more at an isolated site, it is recommended that at least one of each assembly in the instrument be stocked. In the case of optional subassemblies, plug-ins, etc., that are not

always part of the instrument, or are deviations from the basic instrument model, the REC QTY column lists the recommended quantity of the item in that particular assembly.

5-4. HOW TO OBTAIN PARTS

5-5. Components may be ordered directly from the manufacturer by using the manufacturer's part number, or from the John Fluke Mfg. Co., Inc. factory or authorized representative by using the FLUKE STOCK NUMBER. In the event the part you order has been replaced by a new or improved part, the replacement will be accompanied by an explanatory note and installation instructions if necessary.

5-6. To ensure prompt and efficient handling of your order, include the following information.

1. Quantity.
2. FLUKE Stock Number.
3. Description.
4. Reference Designation.
5. Printed Circuit Board Part Number.
6. Instrument Model and Serial Number.

CAUTION

*** Indicates MOS devices which may be damaged by static discharge.**

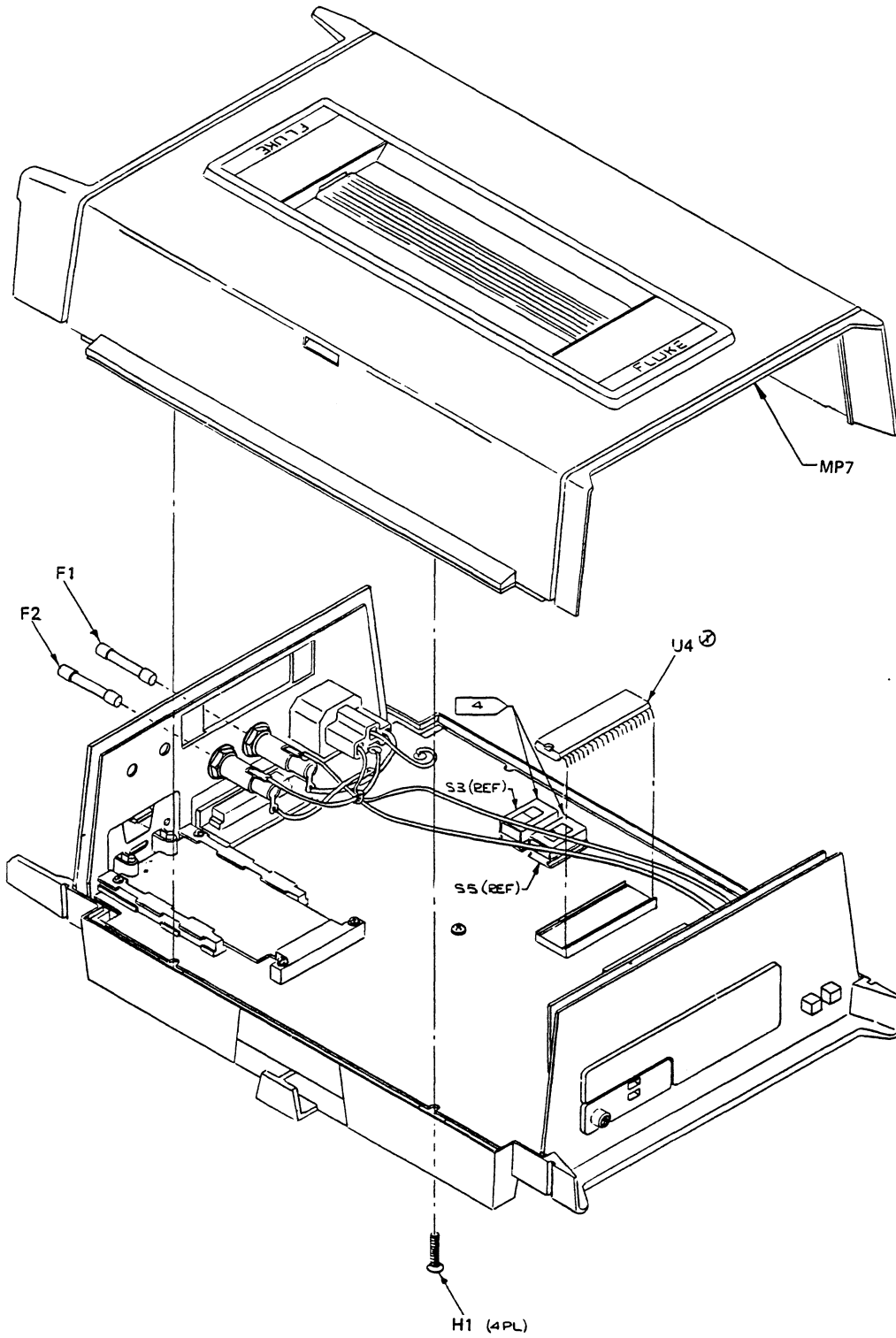
Table 5-1. 2190A Final Assembly
(See Figure 5-1.)

REFERENCE DESIGNATOR		FLUKE STOCK	MFRS SPLY	MANUFACTURERS PART NUMBER	TOT	N R O
-A>-NUMERICS----->	S-----DESCRIPTION-----	--NO--	-CODE-	-OR GENERIC TYPE-----	QTY-	-Q -E-
A 1	* MAIN PCB ASSEMBLY	469395	89536	469395	1	
A 2	* DISPLAY PCB ASSEMBLY	464479	89536	464479	1	
A 3	* THERMOCOUPLE INPUT PCB ASSY	469403	89536	469403	1	
F 1	FUSE, 1/4 X 1-1/4, SLOW, 0.75A, 250V	109256	71400	MDX3-4	1	5
F 2	FUSE, 1/4 X 1-1/4, SLOW, 0.125A, 250V	166488	71400	MDL1-8A		
F 3	FUSE, 1/4 X 1-1/4, SLOW, 0.063A, 250V	163030	71400	MDL1-16A		5
H 1	SCREW, MACH, FH, P, STL, 6-32X0.625	114876	89536	114876	4	1
H 2	WASHER, LOCK, INTRNL, STEEL, 0.512 ID	641381	89536	641381	2	
H 3	SCREW, THD FORM, PHP, STL, 6-20X3/8	288266	89536	288266	1	
H 4	SCREW, MACH, PH, P, SS, 4-40X.250	256156	89536	256156	3	
H 5	SCREW, MACH, PH, P, SS, 4-40X.375	256164	89536	256164	2	
H 6	SCREW, MACH, FHP, BR, 4-40X3/8	493932	89536	493932	1	
MP 1	NAMEPLATE, SERIAL -REAR PANEL-	472795	89536	472795	1	
MP 2	FACTORY MUTUAL DECAL	524611	89536	524611	1	1
MP 3	DECAL CSA	525527	89536	525527	1	
MP 5	BASE-STANDARD	454702	89536	454702	1	
MP 6	GUARD, BASE	464404	89536	464404	1	
MP 7	"C" SIZE COVER ASSY	516708	89536	516708	1	
MP 8	REAR PANEL	464149	89536	464149	1	
MP 9	OUTPUT OPTION COVER	464412	89536	464412	1	
MP 10	LIMITS COVER	464156	89536	464156	1	
MP 11	DECAL, TYPE SELECT SWITCH SETTING	523597	89536	523597	1	
MP 12	BAIL	467555	89536	467555	1	
MP 13	FOOT, NONSKID	467571	89536	467571	4	
MP 14	DECAL, REAR PANEL	454645	89536	454645	1	
MP 15	CALIBRATION COVER	471490	89536	471490	1	
MP 16	DECAL, BOTTOM	473629	89536	473629	1	
MP 17	DECAL, BASE SIDES	473652	89536	473652	2	
MP 18	DECAL FRONT PANEL	453233	89536	453233	1	
MP 19	HLD R PART, FUSE, BODY 1/4X1-1/4, 5X20MM	375188	61935	031.1653	2	
MP 21	CARD GUIDE	464164	89536	464164	2	
MP 22	HLD R PART, FUSE, CAP, 1/4X1-1/4	460238	61935	031.1666	2	
MP 23	CABLE TIE, 4"L, 0.100"W, 0.75 DIA	172080	89536	172080	1	
MP 24	LATCH	467548	89536	467548	2	
MP 25	* FRONT PANEL WITH HARDWARE	655522	89536	655522	1	
MP 27	TERM, RING 3/32 & 1/8, SOLDR	151431	79963	329	1	
TM 1	2190A INSTRUCTION MANUAL	489229	89536	489229	1	5
U 4	* IC, NMOS, 8 BIT MICROCOMPUTR, 2190A-9406	525634	89536	525634		1
U 4	* IC, NMOS, 8 BIT MICROCOMPUTR, 2190A-9407	525642	89536	525642		2
U 4	* IC, NMOS, 8 BIT MICROCOMPUTR, 2190A-9409	534990	89536	534990		3
W 1	CORD, LINE, 5-15/IEC, 3-18AWG, SVT	343723	89536	343723	1	
W 2	CABLE ASSY	475228	89536	475228	1	

An * in 'S' column indicates a static-sensitive part.

NOTES:

- 1 = For J, K, E, S, R type thermocouples.
- 2 = For JDIN, TDIN, K, R, B type thermocouples.
- 3 = For J, K, T, C, R type thermocouples.



(2190A-T + B)

 **CAUTION**
SUBJECT TO DAMAGE BY
STATIC ELECTRICITY

Figure 5-1. Final Assembly

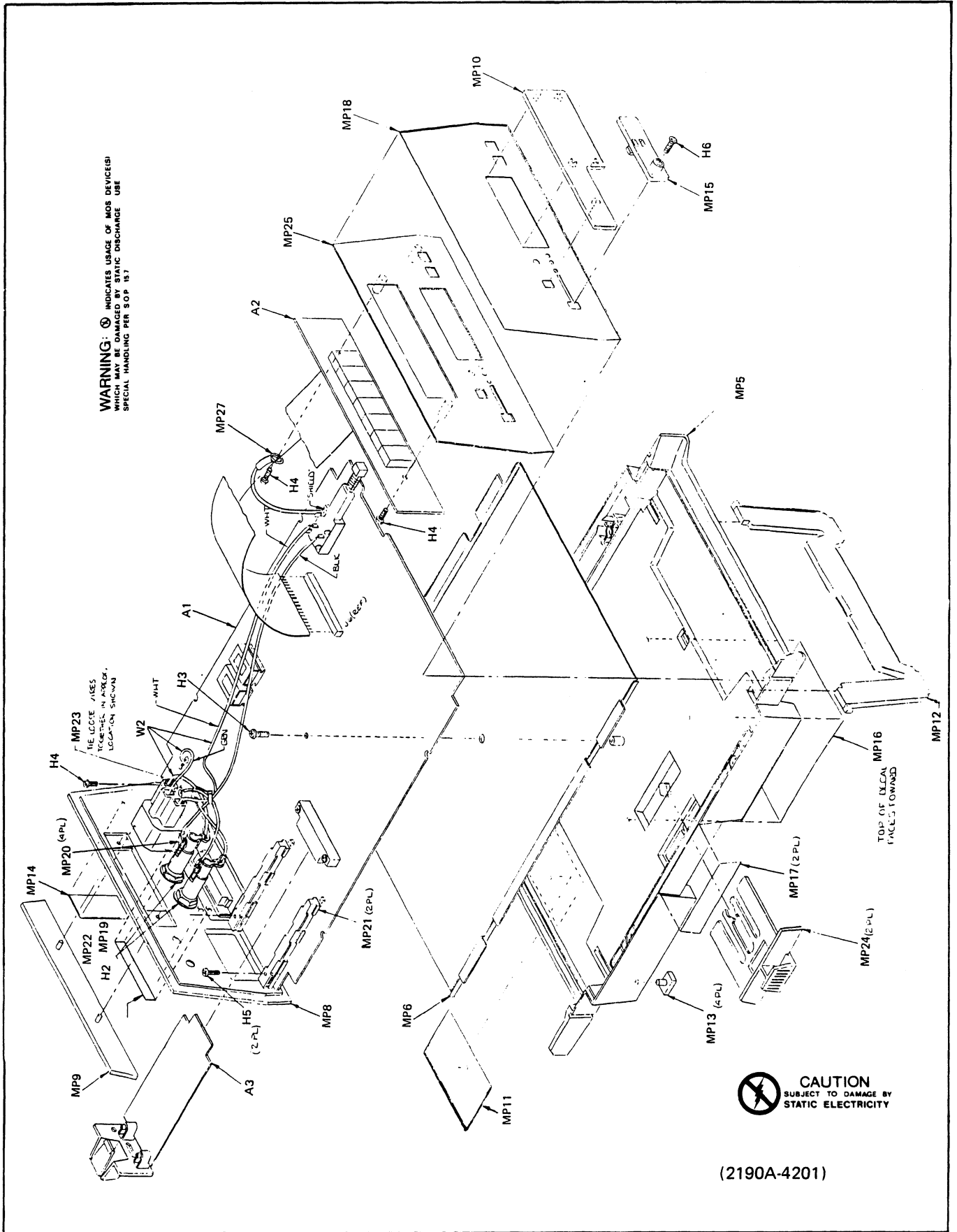


Figure 5-1. Final Assembly (cont)

Table 5-2. A1 Main PCB Assembly
(See Figure 5-2.)

REFERENCE DESIGNATOR	FLUKE STOCK	MFRS SPLY	MANUFACTURERS PART NUMBER	TOT	R S T	N O E		
-A>-NUMERICS-----> S-----DESCRIPTION-----	--NO--	-CODE-	-OR GENERIC TYPE-----	QTY-	-Q-	-E-		
C 1			CAP,MICA,47PF,+5%,500V	148536	72136	CM15E470J	1	1
C 2			CAP,POLYPR,0.47UF,+5%,50V,HERMETIC	364042	84411	JF788	1	
C 3, 4, 6-			CAP,TA,10UF,+20%,20V	330662	56289	196D106X0020KA1	13	
C 9, 11, 14,				330662				
C 15, 24, 28,				330662				
C 29, 33				330662				
C 5			CAP,CER,0.0012UF,+10%,500V,Z5R	106732	71590	CF122	1	
C 10			CAP,POLYCA,2.2UF,+10%,100V	306522	73445	C280MCH/A2M2	1	
C 12, 13, 16,			CAP,MICA,430PF,+5%,500V	177980	14655	CD15FD431J0	4	
C 17				177980				
C 18			CAP,TA,10UF,+20%,35V	417683	56289	196D106X0035KA1	1	
C 19, 20			CAP,CER,0.01UF,+80-20%,25V,Y5U	335786	72982	5835-000Y5-U103Z	2	
C 21			CAP,AL,4700UF,+75-20%,25V	614115	89536	614115	1	
C 23, 31, 32,			CAP,TA,1UF,+10%,35V	161919	56289	196D010X0035G	5	
C 34, 36				161919				
C 25			CAP,TA,39UF,+20%,20V	358234	56289	196D396X0020PE4	1	
C 26, 27			CAP,TA,22UF,+20%,35V	394775	56289	196D226X0035TE4	2	
C 30			CAP,POLYES,0.047UF,+10%,250V	162008	73445	C280MAE/A47K	1	
C 35			CAP,CER,0.22UF,+20%,50V,Z5U	309849	71590	CW3COC224K	1	
CR 3		*	DIODE,SI,RECT,BRIDGE,BV=100V,IO=1.0A	392910	09423	FB200	1	3
CR 4, 5, 9-		*	DIODE,SI,BV=75V,IO=150MA,500MW	203323	07910	1N4448	12	
CR 12, 15- 18,		*		203323				
CR 20, 21		*		203323				
CR 6		*	DIODE,SI,100 PIV,1.5 AMP	116111	05277	1N4817	1	1
CR 7, 8		*	DIODE,SI,50 PIV,1.0 AMP	379412	04713	1N4933	2	1
H 1			NUT,PRESS,BROACH,STL,4-40	380196	24347	KF2-440	9	1
H 2			INSERT,STUD,BROACHING,PHOSPHOR BRONZE	493833	89536	493833	4	
H 3			CONN,D-SUB,PWB,RT ANGL,25 SCKT,. 590	461996	00779	206584-1	1	
H 4			WASHER,LOCK,SPLIT,STEEL,#4	110395	89536	110395	2	
H 5			SCREW,MACH,PH,P,STL,4-40X1. 500	156380	73734	19032	2	
H 6			SCREW,MACH,SEMS,PH,P,STL,4-40X. 500	353060	89536	353060	2	
H 7			SCREW,MACH,PH,P,4-40X0.375	837690	89536	837690	2	
H 8			WASHER,FLAT,BRASS.#40.025	110775	89536	110775	2	
J 1			SOCKET,1 ROW,PWB,0. 100CTR,4 POS	461756	00779	583773-1	1	
J 2			CONN,PWB EDGE,REC,90,0.156 CTR,12 POS	474007	05574	2VH6/LAKC15	1	
J 3			SOCKET,1 ROW,PWB,0. 100CTR,6 POS	448209	00779	1-583773-3	1	
J 4			SOCKET,1 ROW,PWB,0.100CTR,7 POS	484030	00779	1-583773-4	1	
J 6			SOCKET,1 ROW,PWB,0. 100CTR,18N POS	435024	00779	583773-8	1	
K 1			RELAY,REED,1 FORM A,4. 5VDC	357582	71707	UF40070	1	
MP 1			CABLE TIE,5-1/2"L,0. 100"W,1. 25 DIA	530360	89536	530360	1	
MP 2			HEAT DIS,CLIP,TO-220	428805	13103	6046P8	1	
MP 3			BUTTON,MODIFIED, GREEN	644435	89536	644435	1	
MP 4			BUTTON,MODIFIED,LT. GRAY	540724	89536	540724	1	
MP 5		*	SLEEV,POLYOL,SHRINK,.250-.125ID,BLACK	113837	89536	113837	1	
MS 1, 3			RES,SET,MF,TC,MATCHED	479030	89536	479030	2	
Q 2, 3, 9,		*	TRANSISTOR,SI,N-JFET,TO-92	343830	12040	NSSF50024	8	1
Q 16- 18, 24,		*		343830				
Q 25		*		343830				
Q 4, 5, 21,		*	TRANSISTOR,SI,NPN,SMALL SIGNAL	218396	04713	2N3904	4	1
Q 23		*		218396				
Q 6, 8, 11-		*	TRANSISTOR,SI,N-JFET,TO-92	376475	15818	U2810J	6	2
Q 13, 15		*		376475				
Q 7		*	TRANSISTOR,SI,N-JFET,DUAL,TO-71	419283	89536	419283	1	1
Q 10		*	TRANSISTOR,SI,N-JFET,REMOTE CUTOFF	429977	89536	429977	1	2
Q 13, 14		*	DIODE,SI,N-JFET,CURRENT REG,IF=1.0 MA	348482	89536	348482	2	1
Q 14		*	DUAL FET,SELECTED OFFSET	476911	78425	476911	1	1
Q 19, 20		*	TRANSISTOR,SI,BV= 80V, 10W,TO-202	495697	04713	MPS-U06	2	1
Q 22		*	TRANSISTOR,SI,BV= 40V, 2W,TO-220	473207	01295	TIP30	1	1
R 5, 57			RES,VAR,CERM,200,+10%,0.5W	275743	89536	275743	2	
R 6			RES,CF,1K,+5%,0.25W	343426	80031	CR251-4-5P1K	1	
R 1		*		377283				
R 7, 44, 46,			RES,CF,10K,+5%,0.25W	348839	80031	CR251-4-5P10K	5	
R 47, 60				348839				
R 8, 34			RES,CF,3.3K,+5%,0.25W	348813	80031	CR251-4-5P3K3	2	
R 9			RES,CF,43K,+5%,0.25W	442418	80031	CR251-4-5P43K	1	
R 10			RES,CF,27K,+5%,0.25W	441501	80031	CR251-4-5P27K	1	
R 11, 12, 26,			RES,MF,10.02K,+0.1%,0.125W,50PPM	352245	89536	352245	4	
R 27				352245				
R 13			RES,MF,1K,+1%,0.125W,100PPM	168229	91637	CMF551001F	1	

An * in 'S' column indicates a static-sensitive part.

Table 5-2. A1 Main PCB Assembly (cont.)

REFERENCE DESIGNATOR	FLUKE STOCK	MFRS SPLY	MANUFACTURERS PART NUMBER	TOT QTY	R O T S T
-A>-NUMERICS-----> S-----DESCRIPTION-----	--NO--	-CODE-	-OR GENERIC TYPE-----	-QTY-	-Q -E-
R 15	RES,MF,49.9,+1%,0.125W,100PPM	305896	91637 CMF5549R9F	1	
R 16	RES,MF,169K,+1%,0.125W,100PPM	289454	91637 CMF551693F	1	
R 17	RES,VAR,CERM,500,+10%,0.5W	325613	89536 325613	1	
R 20	RES,MF,61.9K,+1%,0.125W,100PPM	237230	91637 CMF556192F	1	
R 21	RES,MF,215K,+1%,0.125W,100PPM	289470	94637 CMF552153F	1	
R 22	RES,CF,12K,+5%,0.25W	348847	80031 CR251-4-5P12K	1	
R 23	RES,MF,22.1K,+1%,0.125W,100PPM	235234	91637 CMF552212F	1	
R 24	RES,MF,221,+1%,0.125W,100PPM	340794	91637 CMF552210F	1	
R 25	RES,MF,100,+0.1%,0.125W,25PPM	357400	91637 CMF551000B	1	
R 28	RES,MF,200,+0.1%,0.125W,25PPM	474262	91637 CMF552000B	1	
R 29, 30	RES,VAR,CERM,1K,+20%,0.5W	267856	11236 190PC102B	2	
R 31	RES,VAR,CERM,20K,+20%,0.5W	267898	11236 190PC203B	1	
R 32	RES,MF,10,+1%,0.125W,100PPM	268789	91637 CMF5510R0F	1	
R 33	RES,CC,5.1M,+5%,0.25W	296467	01121 CB5155	1	
R 35, 70	RES,CF,330,+5%,0.25W	368720	80031 CR251-4-5P330E	2	
R 37	RES,CF,100,+5%,0.25W	348771	80031 CR251-4-5P100E	1	
R 38	RES,MF,9.09K,+1%,0.125W,100PPM	221663	91637 CMF559091F	1	
R 39	RES,MF,1.02K,+1%,0.125W,100PPM	223545	91637 CMF551021F	1	
R 40	RES,MF,4.32K,+1%,0.125W,100PPM	294819	91637 CMF554321F	1	
R 41	RES,MF,10K,+1%,0.125W,100PPM	168260	91637 CMF551002F	1	
R 43	RES,CF,16K,+5%,0.25W	442376	80031 CR251-4-5P16K	1	
R 45, 53, 54	RES,CF,100K,+5%,0.25W	348920	80031 CR251-4-5P100K	3	
R 48	RES,MF,150K,+1%,0.125W,100PPM	241083	91637 CMF551503F	1	
R 49	RES,MF,681K,+1%,0.125W,100PPM	381517	91637 CMF556813F	1	
R 50	RES,CF,47K,+5%,0.25W	348896	80031 CR251-4-5P47K	1	
R 51	RES,MF,38.3K,+1%,0.125W,100PPM	241372	91637 CMF553832F	1	
R 52	RES,MF,133K,+1%,0.125W,100PPM	289074	91637 CMF551333F	1	
R 55	RES,CF,5.1K,+5%,0.25W	368712	80031 CR251-4-5P5K1	1	
R 56	RES,MF,10.2K,+1%,0.125W,100PPM	293605	91637 CMF551022F	1	
R 58	RES,CF,51K,+5%,0.25W	376434	80031 CR251-4-5P51K	1	
R 59, 66	RES,CF,39K,+5%,0.25W	442400	80031 CR251-4-5P39K	2	
R 61, 63	RES,CF,470K,+5%,0.25W	342634	80031 CR251-4-5P470K	2	
R 62, 64	RES,CF,4.7K,+5%,0.25W	348821	01121 CB4725	2	
R 65	RES,MF,309K,+1%,0.125W,100PPM	235283	91637 CMF553093F	1	
R 67	RES,MF,100K,+1%,0.125W,100PPM	248807	91637 CMF551003F	1	
R 68	RES,MF,64.9K,+1%,0.125W,100PPM	288530	91637 CMF556493F	1	
R 69	RES,MF,226K,+1%,0.125W,100PPM	320879	91637 CMF552263F	1	
S 1, 2	SWITCH,PUSHBUTTON ASSY	483891	89536 483891	1	1
S 3, 5	SWITCH,SLIDE,DPDT,POWER	234278	89536 234278	2	
S 4	SWITCH,SLIDE,DPDT	423129	89536 423129	1	
T 1	POWER TRANSFORMER	464370	89536 464370	1	
T 2	TRANSF,INV,MULTIPLE OUTPUT,TOROID	461954	89536 461954	1	
TB 1, 2	TERM STRIP,PWB,RT ANG,0.200CTR,2 POS	479006	89536 479006	2	
TP 2- 6, 9,	TERM,UNINSUL,FEEDTHRU,HOLE,TURRET	179283	88245 2010B-5	7	
TP 16		179283			
U 1	* IC,COMPARATOR,8 PIN DIP	352195	01295 SN72311P	1	
U 2	* IC,OP AMP,JFET INPUT,TO-5 CASE	429837	12040 LF356F	1	1
U 3	* IC,CMOS,HEX OPEN DRAIN BUFFER	473389	12040 MM74C906N	1	
U 5	* RES,NET,SIP,8 PIN,7 RES,47K,+2%	413286	89536 413286	1	
U 6	* IC,OP AMP,JFET INPUT,8 PIN DIP	472779	12040 LF386N	1	1
U 7	* IC,OP AMP,GENERAL PURPOSE,8 PIN DIP	413740	12040 LM307N	1	1
U 8	* IC,OP AMP,SOURCE CNTRL,DUAL,LO-NOISE	478032	04713 MC4558NCP1	1	1
U 9	* RES NET ASSY TESTED (2180/2190DIV)	510628	89536 510628	1	
U 9	* REF DIV RES NET ASSY TESTED 2180/2190	577536	89536 577536	1	
U 10	* IC,OP AMP,SELECTED GBW 600KHZ	418566	12040 LM358N	1	1
U 11	* IC,VOLT REG,FIXED,-15 VOLTS,1.5 AMPS	413179	04713 MC7915CP	1	1
U 12	* IC,VOLT REG,FIXED,+15 VOLTS,1.5 AMPS	413187	04713 MC7815CT	1	1
U 14	* IC,COMPARATOR,QUAD,14 PIN DIP	387233	12040 LM339N	1	1
VR 2, 3	* ZENER,UNCOMP,36.0V,5%,3.4MA,0.4W	186163	04713 1N974B	2	1
VR 4	* ZENER,UNCOMP,22.0V,5%,5.6MA,0.4W	181073	04713 1N969B	1	
VR 19	* ZENER,COMP,6.4V,2%,2 PPM TC,0.5MA	393579	04713 1N4567	1	1
XU 1	* SOCKET,IC,40 PIN	429282	09922 DILB40P-108	1	1
Y 1	* CRYSTAL,4MHZ,+0.02%,HC-18/U	474072	89536 474072	1	1
Z 13	RES,NET,DIP,16 PIN,8 RES,680,+5%	402644	89536 402644	1	1

An * in 'S' column indicates a static-sensitive part.

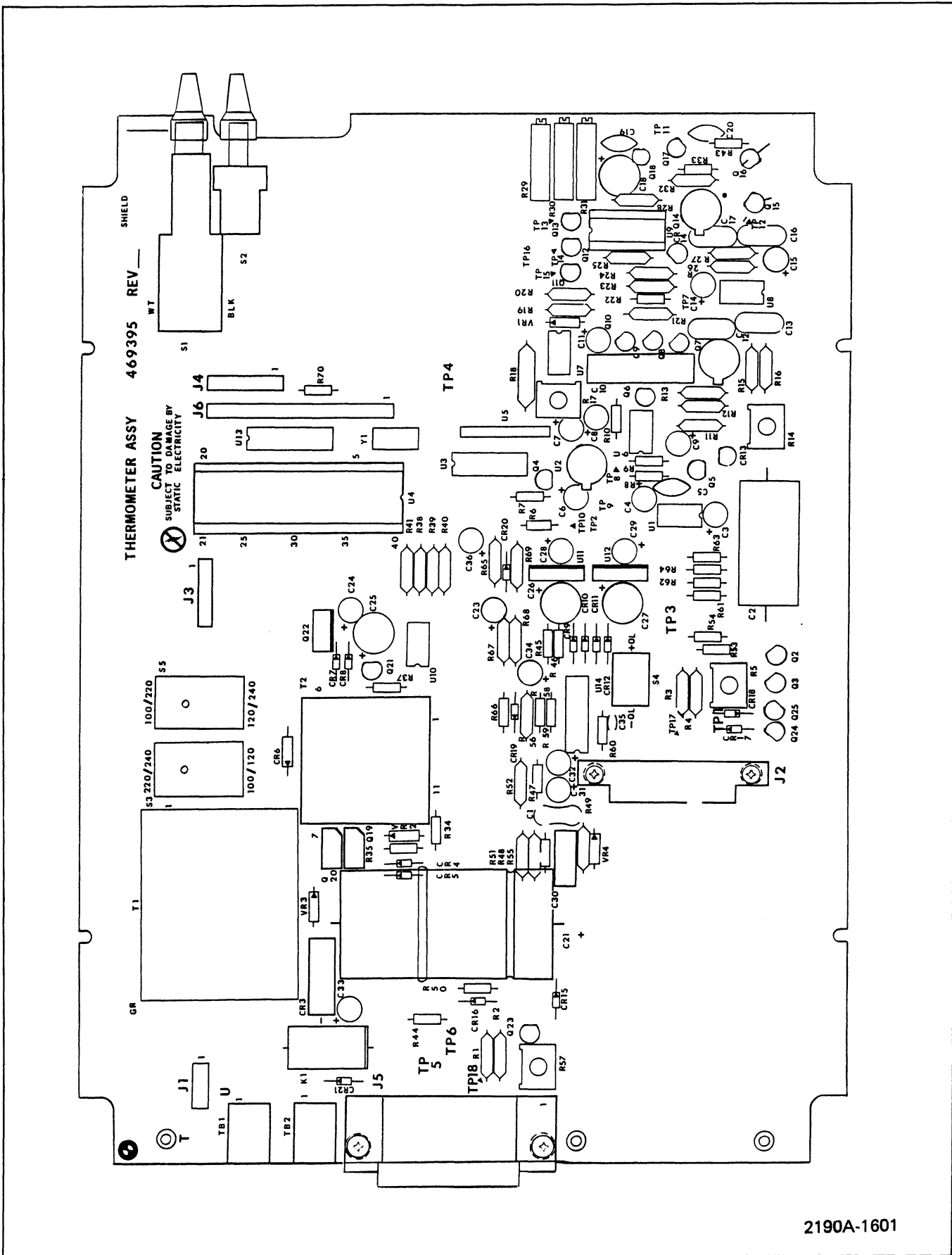


Figure 5-2. A1 Main PCB Assembly

Table 5-3. A2 Display PCB Assembly
(See Figure 5-3.)

REFERENCE DESIGNATOR	QUANTITY	DESCRIPTION	FLUKE STOCK NO	MFRS SPLY CODE	MANUFACTURERS PART NUMBER OR GENERIC TYPE	TOT QTY	R S T	N O T
DS	1- 5, 7	LED, RED, 7 SEGMENT, NUMERIC	418012	28480	5082-7651	6		
MP	1	PART NO. DECAL, DISPLAY	477042	89536	477042	1		
Q	1- 13	* TRANSISTOR, SI, PNP, SMALL SIGNAL	195974	64713	2N3906	13		
R	1, 2	RES, CF, 100, +-5%, 0.25W	348771	80031	CR251-4-5P100E	2		
U	1	* IC, ARRAY, 5 TRANS, NPN, 5 ISOLATED TRANS	418574	02735	CA3083E	1		
U	2	RES, NET, DIP, 14 PIN, 7 RES, 1K, +-5%	407445	01121	314	1	1	
U	3	RES, NET, DIP, 16 PIN, 8 RES, 82, +-5%	478859	89536	478859	1		
P	6	CABLE, FLAT, 18CONDUCT, .100SP, JUMPER	474411	00779	1-86947-7	1	2	

An * in 'S' column indicates a static-sensitive part.

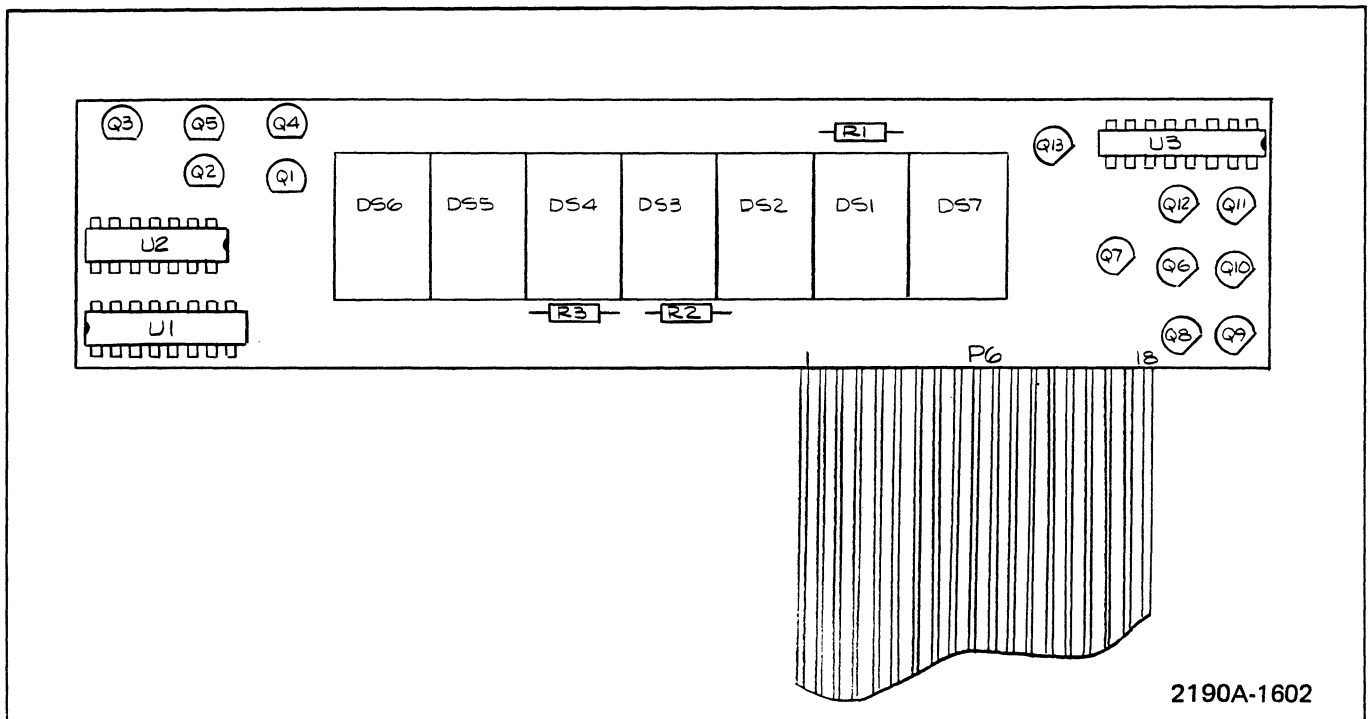


Figure 5-3. A2 Display PCB Assembly

Table 5-4. A3 Thermocouple Input PCB Assembly
(See Figure 5-4.)

REFERENCE DESIGNATOR	FLUKE STOCK	MFRS SPLY	MANUFACTURERS PART NUMBER	TOT QTY	N R O S T
-A>-NUMERICS--> S-----DESCRIPTION-----	--NO--	-CODE-	-OR GENERIC TYPE----	-QY-	-Q -E-
C 1	306522	73445	C280MCH/A2M2	1	
C 2	148478	72136	DM15F151J	1	
C 3, 4	161919	56289	196D010X0035G	2	
H 1	110890	89536	110890	2	
H 2	844951	89536	844951	2	
H 3	110395	89536	110395	2	
H 4	615716	89536	615716	2	
H 5	403782	89536	403782	2	
H 6	380196	24347	KF2-440	2	
MP 1	464123	89536	464123	1	
MP 2	472381	89536	472381	1	
MP 3	472399	89536	472399	1	
MP 4	473561	89536	473561	1	
MP 5	343996	89536	343996	4	
Q 1	329698	89536	329698	1	1
R 1	268581	71450	190PC104B	1	
R 2	221630	91637	CMF55	1	
R 3	223537	89536	223537	1	1
R 3	229492	89536	229492	1	1
R 3	234708	91637	CMF551103F	1	1
R 3	235283	91637	CMF553093F	1	1
R 3	235358	89536	235358	1	1
R 3	235382	89536	235382	1	1
R 3	236828	91637	CMF556812F	1	1
R 3	237222	91637	CMF557322F	1	1
R 3	237248	91637	CMF555232F	1	1
R 3	248807	91637	CMF551003F	1	1
R 3	260737	89536	260737	1	1
R 3	268821	91637	CMF554992F	1	1
R 3	271353	91637	CMF555492F	1	1
R 3	271908	91637	CMF554643F	1	1
R 3	288373	91637	CMF552373F	1	1
R 3	288407	91637	CMF551243F	1	1
R 3	289058	11236	CMF557872F	1	1
R 3	289116	91637	CMF555762F	1	1
R 3	289439	91637	CMF551403F	1	1
R 3	289504	91637	CMF553323F	1	1
R 3	291419	91637	CMF556042F	1	1
R 3	375923	91637	CMF551913F	1	1
R 3	375998	91637	CMF55	1	1
R 4	110015	01121	HB4731	1	
S 1	408559	00779	435166-2	1	
TP 1	179283	88245	2010B-5	1	
U 1	473819	07263	A79L12AWC	1	

An * in 'S' column indicates a static-sensitive part.

NOTE 1 = R3 is selected at test.

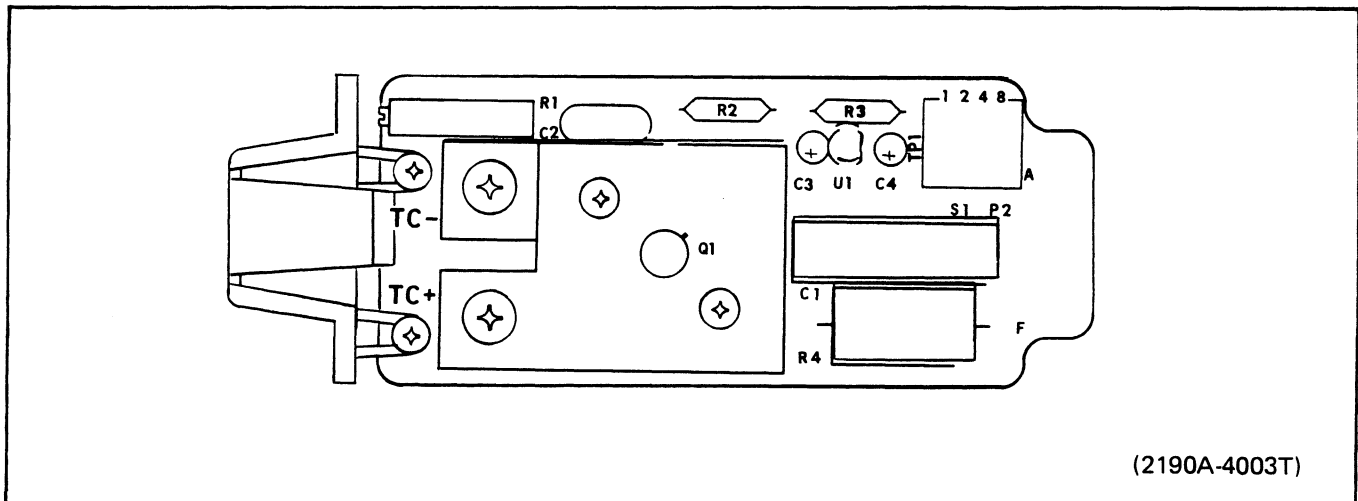


Figure 5-4. A3 Thermocouple Input PCB Assembly

Section 6

Option & Accessory Information

TABLE OF CONTENTS

OPTION/ MODEL NO.	DESCRIPTION	PAGE
ACCESSORIES		
Y2001	Multipoint Selector	600-1
Y2003	Calibrator, Thermocouple Indicator	600-1
Y2009	Battery Pack, 12V Rechargeable	600-1
Y2022	Divider, Thermometer Calibration	600-1
	Rack Panels (See Section 1 for Model No.)	600-1
	Panel Mounts (See Section 1 for Model No.)	600-1
	Thermocouple Probes (See Section 1 for Model No.)	600-1
Y2024	Power Cord, 3-Way	600-2
Y2026B	Cable Output Unit, RS-232-C	600-2
Y2030	Thermocouple Input Module	600-2
 OPTIONS		
-002	Output	602-1
-004	IEEE-488 Interface	604-1
-006	Limits	606-1

6-1. INTRODUCTION

6-2. This section of the manual contains information on the accessories and options available for the 2190A Digital Thermometer.

6-3. ACCESSORY INFORMATION

6-4. The portion of this section dealing with accessories

contains the details of all accessories available for the 2190A.

6-5. OPTION INFORMATION

6-6. Each of the options available for the 2190A are described separately in a subsection identified with the option name and number. The option description contains the information on the operating instructions and maintenance not covered in the main body of the text plus a complete list of replaceable parts for the option.

Accessories

600-1. GENERAL

600-2. Table 1-2 contains a list of the accessories available for use with the 2190A Digital Thermometer. The following paragraphs contain information on the types of accessories. Instructions for use accompany each accessory. In all cases, order using the accessory number listed.

600-3. MULTIPOINT SELECTOR, (Y2001)

600-4. The multipoint selector allows the operator to manually select and monitor one of up to ten channels. Two separate thermocouple types (maximum of five each if two types used) may be connected to the unit. Up to ten multipoint selectors may be connected in series.

600-5. CALIBRATOR, THERMOCOUPLE INDICATOR (Y2003)

600-6. This accessory, when used in conjunction with the 2190A, provides a variable output for calibration of less sensitive thermocouple devices than the 2190A. The 2190A display is controlled by the calibrator millivolt output (-10 to +90 mV dc) and the less sensitive thermometer may be adjusted to the 2190A displayed temperature. The Y2003 can perform remote calibrations using its self-contained battery pack as a source and can supply external power to the thermometer from this battery pack.

600-7. BATTERY PACK, 12V RECHARGEABLE (Y2009)

600-8. The rechargeable battery pack provides the 2190A and its accessories with portability. The output is +12V dc at a maximum of 750 mA for a total of 2.2 ampere-hours.

600-9. DIVIDER, THERMOMETER CALIBRATION (Y2022)

600-10. The device is a preset 100 to 1 divider to provide the precision millivolt outputs from a DC Calibrator required for calibration. The device wires into the Thermocouple Input PCB in place of the thermocouple probe during calibration. Refer to the Y2022 Instruction Manual for the schematic and additional information.

600-11. RACK PANELS

600-12. Available are rack mounting panels in three sizes and two types for the standard 19-inch electronics equipment racks. The "A" size for the multipoint selector is available in panels that will accommodate either one or two instruments. The "B" size panel for the calibrator and/or battery pack is also available for single or double instruments, as is the "C" size used for the 2190A Thermometer and the Alarms Output.

600-13. PANEL MOUNTS

600-14. The panel mounts provide the hardware to install the instrument in any panel in which a hole the size of the instrument front panel can be cut. It is available for the three instrument sizes required, "A", "B", and "C".

600-15. THERMOCOUPLE PROBES

600-16. Thermocouple probes are available from the John Fluke Mfg. Co., Inc. as determined by microcomputer type, see Table 1-3, Specifications.

600-17. POWER CORD, 3-WAY (Y2024)

600-18. This accessory is a specially constructed power cord with three female and one male connectors that allow the operator to connect up to "C" size or smaller PTI instruments with one line power cord.

**600-19. CABLE OUTPUT UNIT,
RS-232-C (Y2026B)**

600-20. The Y2026B is an interface device which allows direct mating between any RS232C device and the -002 Output Option. The Y2026B consists of two 25-pin connectors, one 36-pin connector, and an accessory cable to connection between the 36-pin output and the -002 Output Option. It will be necessary for the user to provide the cable between the 25-pin outputs and the RS232C devices.

**600-21. THERMOCOUPLE INPUT
MODULE (Y2030)**

600-22. The Y2030 is the thermocouple input module compatible with the 2190A Digital Thermometer only. Basically the Y2030 compensates for errors introduced by ambient temperature variations and allows the user to select the proper microcomputer program for the thermocouple type in use. For additional information and the schematic, please refer to the Model Y2030 Instruction Manual.

Option -002 Output

602-1. INTRODUCTION

602-2. The 21X0-002 Option is an analog and digital output unit. It provides either the 2180A or 2190A Model Digital Thermometers with a recording output for a permanent record when required. The option may be ordered with the unit for factory installation or is available as a kit for installation in the field.

602-3. The analog output is available on the rear panel at two flush banana jacks with the polarity indicated. The output is a scaled voltage source of 1 millivolt per degree of temperature, regardless of the temperature scale selected, with the polarity as read on the display. For example; a reading of 251°F would output +251 mV dc; 97.3°C would output +97.3 mV dc; and -31.9°F would output -31.9 mV dc.

602-4. The digital output is a clocked message that can be in two different formats to match the requirement of the customer's equipment. Output on one set of lines is a bit-parallel, byte-serial message format designed for printer interface. Also available are the standard EIA RS232C and current loop bit-serial outputs. Both formats provide the channel number, the current reading displayed, and any out of range or open thermocouple information.

602-5. SPECIFICATIONS

602-6. Specifications for the Output Option, 21X0-002, are as listed in Table 602-1.

602-7. INSTALLATION

602-8. Options for field installation can be installed using the following procedure:

1. Disconnect the thermometer from all input power sources.

Table 602-1. Specifications

Analog Output	
Type:	Linearized and isolated.
Voltage:	1.0 mV/°C or °F from -425 mV to 4.5V, 5 mA max.
Temperature Coefficient:	200 ppm/°C from 25°C.
Noise:	≤ 100 uV at 100 Hz bandwidth.
Accuracy:	±0.1% of reading ±1 mV.
Zero Drift:	200 uV/°C from 25°C.
Warm-Up Time:	5 minutes, to rated accuracy.
Digital Output	
Types:	Three, E.I.A. Standard RS-232-C Type 2, TTY current loop, and parallel ASCII.
Connector:	36-pin AMP "Champ".
Serial Baud Rates:	110, 150, 300, 600, 1200, 2400, 4800, 9600, switch-selectable.
RS-232-C Signals:	Transmitted Data, Request to Send, Clear to Send, Data Set Ready, Signal Common.
Parallel ASCII Signals:	Data 8 lines, instrument address 3 lines, Address Valid, Data Valid, Acknowledge, ground, +5V.
Parallel ASCII Data Rate:	Three readings per second.
Parallel ASCII Interface:	Plug-to-plug compatible with similar Fluke equipment. CMOS compatible, drives one TTL load.
TTY Current Loop Signals:	Source and controlled sink, 20 mA.
Out-of-Limit Signal:	Exclamation point transmitted with Option 21X0-006 only; not with Y2002.
Battery Operation:	4 to 5 hours typical at 25°C on fully charged Y2003 or Y2009.

2. Remove the screws on the bottom of the case that fasten the top and bottom of the PTI case together and remove the top half of the case.

3. Remove the center mounting screw that attaches the Main PCB to the case and lift the pcb clear of the case.

4. Attach the four spacers supplied with the option to the component side of the pcb in the holes forming a rough rectangular pattern (do not use the fifth hole on the corner, next to U1).

Table 602-2. Switch Selection

SWITCH POSITION	SWITCH BANK				S1 BAUD RATE	S2 FUNCTION	S3 ADDRESS
	1	2	3	4			
0	OFF	OFF	OFF	OFF	110	OPERATE	ADR 0
1	ON	OFF	OFF	OFF	150	CAL 1	ADR 1
2	OFF	ON	OFF	OFF	300	CAL 2	ADR 2
3	ON	ON	OFF	OFF	600	CAL 3	ADR 3
4	OFF	OFF	ON	OFF	1200	CAL 4	ADR 4
5	ON	OFF	ON	OFF	2400	CAL 1	ADR 5
6	OFF	ON	ON	OFF	4800	CAL 2	ADR 6
7	ON	ON	ON	OFF	9600	CAL 3	ADR 7
8	OFF	OFF	OFF	ON	110	PLOT 1	ADR 8
9	ON	OFF	OFF	ON	150	PLOT 2	ADR 9

5. Reinstall the Main PCB in the bottom half of the case.

6. On the Output Unit PCB use Table 602-2 and S1 to select the desired BAUD rate, select position 0 on the Function switch S2, and select the PTI Bus Address using S3. When using the RS-232-C interface, set the address switch S3 to address 1, 6, 7, 8, or 9. When using the 2XXXA-522 Personality Card and the 1120A IEEE-488 Translator, set the baud rate to 2400 and follow all procedures regarding the RS-232-C interface.

7. Connect the Output Unit cables to the connectors on the Main PCB.

8. Attach the Output Unit PCB to the spacers, component side down, and the connector to the rear panel access port.

9. Replace the PTI cover on the instrument and reconnect the input power sources, if required, at this time.

Table 602-3. Digital Output Connector Pin-Out

PIN NO.	FUNCTION	MNEMONIC	USE
1	Address Valid	ADRVAL	PTI Bus
2	Data Valid	DATVAL	PTI Bus
3-6	Printer Address	A0-A3	PTI Bus
7	Acknowledge	ACK	PTI Bus
8	Not Used		
9-16	Data	D0-D7	PTI Bus
17	Ground		PTI Bus
18	+5 Volts		PTI Bus
19-24	Not Used		
30	Transmitted Data		RS232 Interface
31	Request to send		RS232 Interface
32	Clear to send		RS232 Interface
33	Data set ready		RS232 Interface
34	Signal Common		RS232 Interface
35	S0+		Current Loop
36	S0-		Current Loop

602-9. OUTPUT CONNECTIONS

602-10. All connections between the Output Unit Option and external instruments are made using the rear panel connectors previously described. The analog output is from standard banana jacks. The digital output female connector has a mating male connector accompanying the option. This allows the customer to custom make a cable between the thermometer output option and the receiving device. Table 602-3, is the pin-out data for the digital output connector.

NOTE

Standard RS232C signals are output on 25-pins, the connector on the -002 Output Option is 36-pins, therefore, the user must either hardwire the connection between the -002 Output Option or order the Y2026B, Cable Adapter

602-11. OPERATION

NOTE

For RS232C or 20 mA current loop operation, the -002 address switches may be ignored.

The Data Set Ready (DSR, pin 33) or Clear To Send (CTS, pin 32) must be at +3V to +15V in order to output data on the RS232C bus. These lines can be tied to Request To Send (RTS), pin 31) which provides the required +15V.

602-12. Once the Output Unit Option is installed, the only operator functions deal with the connection of external equipment to the analog or digital output connectors.

602-13. The positive and negative analog terminals have available a dc millivolt output with the same polarity, and proportional to the temperature displayed. For example, if the thermometer displayed +105.7°F the analog output would be +105.7 mV dc and for -53.1°C the output would be -53.1 mV dc. The full resolution of the temperature display (tenths or hundredths of degrees) is reflected on the output.

602-14. The digital output can be connected to a printer or any device accepting parallel ASCII data, or to a device accepting RS232C or Current Loop signals. Connections for all three types of signals are available simultaneously on the 36-pin output connector previously described.

602-15. THEORY OF OPERATION

602-16. The Output Unit Option converts the temperature displayed by the output into a format usable by the customer's equipment. The output may be available as a scaled analog voltage or as formatted parallel and serial ASCII digital output. The following paragraphs describe operation of the Accessory Bus that handles communication between the instrument and the options, the analog output circuitry and the digital output circuitry. Refer to the schematic in Section 8 during the following discussion.

602-17. Accessory Bus Communication

602-18. The option communicates with the thermometer on the clocked bit-serial accessory bus. Transmitted on the bus are channel number, range, conversion type, scale, and digits of the temperature reading. When the WRTADR line is held low, DCLK clocks the address of the Output Unit (4), followed by the thermometer data to the microprocessor on the DATA

line. Once into the microprocessor, the data is converted, formatted, and output to the analog and digital output circuitry.

602-19. Analog Circuitry

602-20. The temperature reading received by the microcomputer is used to generate an integrate control signal, the length of which is proportional to the magnitude of the temperature reading. This signal is used to turn on (close) the FET switches Q6 and U12-2, open the switches U11-2, U11-3 and U12-3, and set the output polarity with switches at U12-9 and U12-10. (U12-9 is closed when a negative reading is being processed and U12-10 when a positive signal is being processed.)

602-21. With Q6 on, the capacitor C1 is charged linearly to a voltage proportional to the length of the control signal at Q6. When Q6 has been on for the time required, it is opened, and switch U11-13 is closed, so the output of U13-8 can be sampled and held on C2. After 10 ms switch U11-3 opens and switch U11-11 closes to zero the integrate capacitor C1, until the next conversion cycle.

602-22. The voltage held on C2 is buffered by U13-7. U13-14 either passes the voltage directly to the output stage, or amplifies it as controlled by switches U12-9 and U12-10, which alternate states to set the polarity. The output stage at U13-1 has a constant gain of -1.

602-23. Digital Output Circuitry

602-24. The thermometer reading transmitted on the accessory bus every 333 ms is formatted by the microcomputer and, if requested, made available on the PTI Bus, RS232C, and current loop outputs. Refer to the schematics in Section 8 during the following description.

602-25. Eight data, four address, a data valid, an address valid, and an acknowledge line are used by the PTI Bus Interface. The external device requests data from the Output Unit by applying the preselected address to the address lines. The address is preselected by setting switch S3 to the desired number (0-9). When the proper address is decoded the tri-state output buffers (U8 and U9) are enabled, and the microcomputer and external device are notified that the Output Unit has a valid address. When the conversion process is complete, the microcomputer applies the first character of the formatted data to the output lines and pulls the DATVAL line low. The external device reads the data and pulls the ACK line low, causing the Output Unit to reply with a new character. The process is repeated until data transfer is complete. The message formats are shown in Figure 602-1, and a timing diagram is shown in Figure 602-2.

602-26. After transfer to the printer lines is complete, the microcomputer checks the DATA SET READY and CLEAR TO SEND lines from the RS232C Interface. If both lines are high, the same message as was output on the print lines is output on the RS232C and current loop lines in a bit-serial format. Since the thermometer cycle rate of 333 ms is shorter than the time required to output data at BAUD rate of 1200 and less, a message is not transmitted during every instrument cycle.

602-27. CALIBRATION

602-28. Analog circuitry in the option should be calibrated every 90 days or after any repair of the unit. The procedure following assumes that power is supplied to the unit and that a Digital Voltmeter capable of reading 10 μ V on the 1 volt, or equivalent range, i.e., a Fluke Model 8800A, is available.

1. Remove power from the instrument.
2. Remove the top cover from the thermometer.
3. Remove the screws attaching the option pcb to the Main PCB.
4. Leaving the interconnect cables connected, turn the option pcb to the right, while facing the instrument, exposing the component side and making the switches and adjustment accessible.
5. Connect the DMM to the Analog Output Connector.
6. Apply power to the instrument and allow it to warm-up for a minimum of 5 minutes.

7. Set the FUNCTION switch (S2) to position 1 (CAL 1).
8. Adjust R26 for an output of 0 ± 0.1 mV dc.
9. Set the FUNCTION switch to position 2 (CAL 2).
10. Adjust R15 for an output of 0 ± 0.1 mV dc.
11. Set FUNCTION switch to position 3 (CAL 3).
12. Adjust R11 for an output of $-10V \pm 1$ mV dc.
13. Set FUNCTION switch to position 4 (CAL 4).
14. Adjust R19 for an output of $+10V \pm 1$ mV dc.
15. Remove power and the test DMM, then reinstall the option pcb on the Main PCB and the top cover on the instrument.

602-29. TROUBLESHOOTING

602-30. Troubleshooting for the 2180A Option -002, Output Unit, consists of the tabular flow chart in Table 602-4. When a step on the flow chart is completed, check for a decision transfer. If no decision is required, perform the next step of the table in sequence.

602-31. LIST OF REPLACEABLE PARTS

602-32. Table 602-5 is a list of replaceable parts for the Output Option. Refer to Section 5 for an explanation of the columnar entries.

CHARACTER POSITION																				
1	2	3	4	5	6	7	8	9	10	11	12	13	14	15	16	17	18	19	20	21
NORMAL TEMPERATURE MEASUREMENT DATA																				
CH	CH	SP	SP	±	SP	D	D	D	D/.	D/.	D	SP	SP	F/C	SP	!	SP	SP	CR	LF
OPEN THERMOCOUPLE OUTPUT (2190A only)																				
CH	CH	SP	SP	±	SP	D	D	D	D/.	D/.	D	SP	SP	F/C	SP	!	O	C	CR	LF
OVERLOAD OUTPUT																				
CH	CH	SP	SP	±	SP	D	D	D	D/.	D/.	D	SP	SP	F/C	SP	!	O	L	CR	LF

SYMBOL	DESCRIPTION
CH	Channel identification numbers (00 through 99, 00 unless connected to Y2000, Y2001, or 2300A).
SP	Space
+/-	Plus or minus symbol
D	Temperature data values (0 through 9) Floating decimal point, appearing in character positions 11 or 12 for the 2180A, position 12 for the 2190A.
D/.	Either a temperature data value or a decimal point
F/C	Fahrenheit or Celsius
!	Character (!) when the present limit of the Limits Option 21X0A-006 is exceeded. One space if within limits.
OC	Open (thermo)couple (character positions 18 and 19)
OL	Overload (character positions 18 and 19)
CR	Carriage Return
LF	Line Feed

Figure 602-1. Message Format

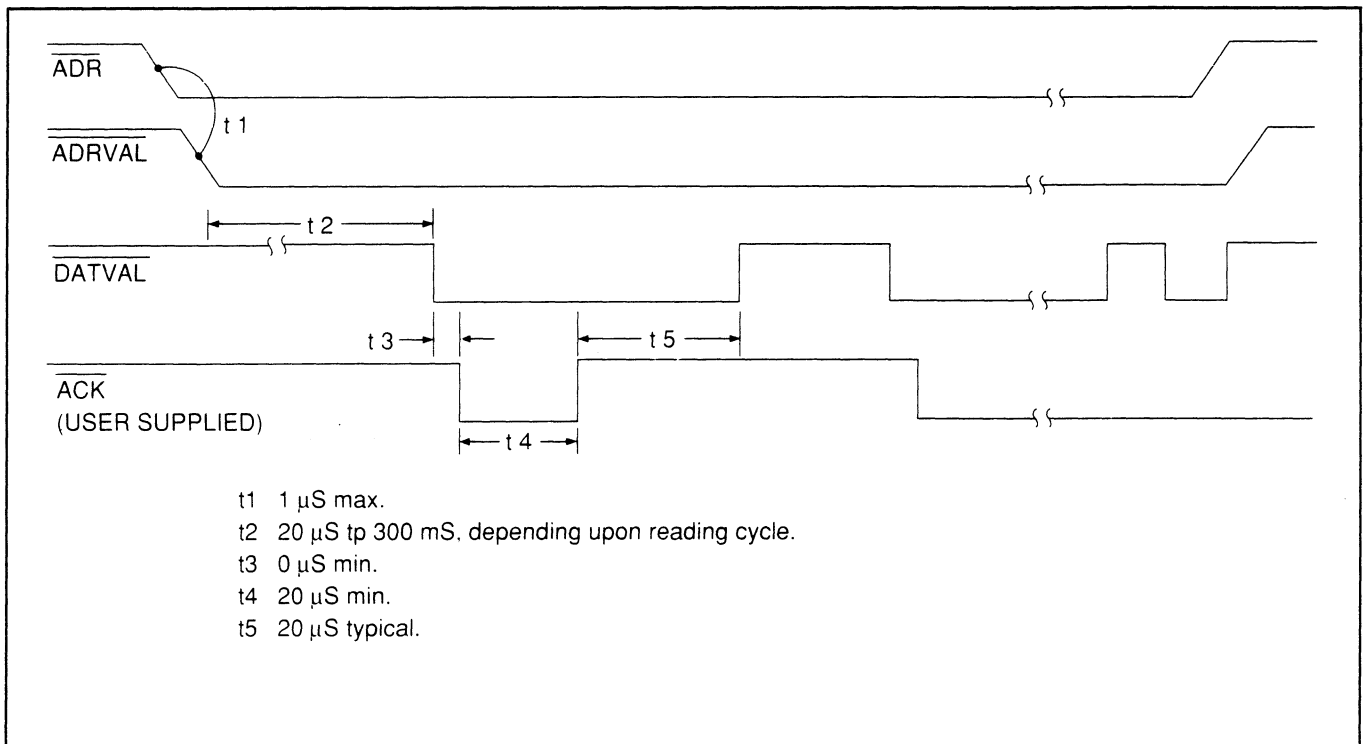


Figure 602-2. Timing Diagram

Table 602-5. Option -002 Output PCB Assembly
(See Figure 602-3.)

REFERENCE DESIGNATOR	FLUKE STOCK	MFRS SPLY	MANUFACTURERS PART NUMBER	TOT QTY	R O S T	N -E
-A>-NUMERIC-->	S-----DESCRIPTION-----	--NO--	-CODE- OR GENERIC TYPE-----	QTY-	-Q-	-E-
A 1	* OUTPUT UNIT ADAPTER ASSEMBLY	539288	89536 539288	1		
C 1	CAP, POLYPR, 0.47UF, +-5%, 100V	806265	89536 806265	1		
C 2	CAP, POLYPR, 0.47UF, +-10%, 50V	363085	89536 363085	1		
C 3	CAP, CER, 0.22UF, +-20%, 50V, Z5U	309849	71590 CW3COC224K	1		
C 4, 6, 9-	CAP, TA, 10UF, +-20%, 20V	330662	56289 196D106X0020KA1	8		
C 11, 13- 15		330662				
C 5	CAP, TA, 39UF, +-20%, 20V	358234	56289 196D396X0020PE4	1		
C 7, 8	CAP, TA, 22UF, +-20%, 35V	394775	56289 196D226X0035TE4	2		
C 12, 16	CAP, TA, 1UF, +-10%, 35V	161919	56289 196D010X0035G	2	1	
C 17	CAP, CER, 0.025UF, +-20%, 100V, Z5W	168435	56289 CO23B101H253M	1	1	
CR 3- 6, 11-	* DIODE, SI, BV=75V, IO=150MA, 500MW	203323	07910 1N4448	10	1	
CR 14, 16, 17		203323				
CR 9, 10	* DIODE, SI, 50 PIV, 1.0 AMP	379412	04713 1N4933	2	1	
H 1	HARDWARE KIT (FOR J7)	435750	89536 435750	1		
H 2	WASHER, LOCK, SPLIT, STEEL, #4	110395	89536 110395	2		
H 3	NUT, HEX, S. STL, 4-40	147611	89536 147611	2		
H 4	SCREW, MACH, PH, P, 4-40X0.375	837690	89536 837690	2		
J 7	CONN, MICRO-RIBBON, REC, PWB EDGE, 36 POS	414409	00779 552241-1	1		
J 8	INPUT JACK, FLARED	492314	89536 492314	2		
P 1	CABLE, FLAT, JMPR, 4 CONDUCT, 0.100 SP	474148	89536 474148	1		
P 3	CABLE, FLAT, JMPR, 6 CONDUCT, 0.100 SP	474155	00779 86942-5	1		
Q 2, 4, 5,	* TRANSISTOR, SI, NPN, SMALL SIGNAL	218396	04713 2N3904	6		
Q 8, 9, 13		218396				
Q 6	* TRANSISTOR, SI, N-JFET, REMOTE CUTOFF	429977	89536 429977	1	1	
Q 7	* TRANSISTOR, SI, N-JFET, TO-92	343830	12040 NSSF50024	1	1	
Q 10, 11	* TRANSISTOR, SI, BV= 80V, 10W, TO-202	495697	04713 MPS-U06	2	1	
Q 12	* TRANSISTOR, SI, BV= 40V, 2W, TO-220	473207	01295 TIP30	1		
Q 14	* TRANSISTOR, SI, PNP, SMALL SIGNAL	195974	64713 2N3906	1		
R 1- 3, 27-	RES, CF, 10K, +-5%, 0.25W	348839	80031 CR251-4-5P10K	12		
R 30, 32- 34,		348839				
R 48, 50		348839				
R 4, 6, 8	RES, CF, 220K, +-5%, 0.25W	348953	80031 CR251-4-5P220K	3		
R 5, 7, 9,	RES, CF, 2.2K, +-5%, 0.25W	343400	80031 CR251-4-5P2K2	4		
R 31		343400				
R 10	RES, MF, 16.9K, +-1%, 0.125W, 100PPM	267146	91637 CMF551692F	1		
R 11	RES, VAR, CERM, 25K, +-20%, 0.5W	285213	11236 190PC253B	1		
R 12	RES, MF, 124K, +-1%, 0.125W, 25PPM	479352	91637 CMF55	1		
R 13	RES, MF, 2K, +-1%, 0.125W, 100PPM	235226	91637 CMF552001F	1		
R 14	RES, MF, 750K, +-1%, 0.125W, 100PPM	271361	89536 271361	1	1	
R 15, 26	RES, VAR, CERM, 100K, +-20%, 0.5W	268581	71450 190PC104B	2		
R 16, 17	RES, MF, 60.4K, +-1%, 0.125W, 100PPM	291419	91637 CMF556042F	2		
R 18, 20	RES, MF, 3.92K, +-1%, 0.125W, 100PPM	294801	91637 CMF553921F	2		
R 19	RES, VAR, CERM, 100, +-10%, 0.5W	285130	89536 285130	1		
R 21, 22, 45	RES, MF, 10K, +-1%, 0.125W, 100PPM	168260	91637 CMF551002F	3		
R 23, 47	RES, CF, 100, +-5%, 0.25W	348771	80031 CR251-4-5P100E	2		
R 24	RES, MF, 1M, +-1%, 0.125W, 100PPM	268797	91637 CMF551004F	1		
R 25	RES, MF, 1K, +-1%, 0.125W, 100PPM	168229	91637 CMF551001F	1		
R 35	RES, CF, 5.1K, +-5%, 0.25W	368712	80031 CR251-4-5P5K1	1		
R 36	RES, CF, 47K, +-5%, 0.25W	348896	80031 CR251-4-5P47K	1		
R 37	RES, CF, 240, +-5%, 0.25W	376624	80031 CR251-4-5P240E	1		
R 38	RES, CF, 3.9K, +-5%, 0.25W	342600	80031 CR251-4-5P3K9	2		
R 39, 41	RES, CF, 6.8K, +-5%, 0.25W	368761	80031 CR251-4-5P6K8	2		
R 40	RES, CF, 4.3K, +-5%, 0.25W	441576	80031 CR251-4-5P4K3	1		
R 42	RES, CF, 3.3K, +-5%, 0.25W	348813	80031 CR251-4-5P3K3	1		
R 43	RES, CF, 330, +-5%, 0.25W	368720	80031 CR251-4-5P330E	1		
R 44	RES, MF, 1.02K, +-1%, 0.125W, 100PPM	223545	91637 CMF551021F	1		
R 46	RES, MF, 9.09K, +-1%, 0.125W, 100PPM	221663	91637 CMF559091F	1		
R 49	RES, MF, 4.32K, +-1%, 0.125W, 100PPM	294819	91637 CMF554321F	1		
R 51	RES, CF, 39K, +-5%, 0.25W	442400	80031 CR251-4-5P39K	1		
R 52	RES, MF, 100K, +-1%, 0.125W, 100PPM	248807	91637 CMF551003F	1		
R 53	RES, MF, 64.9K, +-1%, 0.125W, 100PPM	288530	91637 CMF556493F	1	2	
R 54	RES, MF, 226K, +-1%, 0.125W, 100PPM	320879	91637 CMF552263F	1		
R 55	RES, MF, 309K, +-1%, 0.125W, 100PPM	235283	91637 CMF553093F	1		
S 1- 3	SWITCH, DIP, SPST, 4 POS	408559	00779 435166-2	3		
T 1	TRANSF, INV, MULTIPLE OUTPUT, TOROID	461954	89536 461954	1		
U 1	* IC, CMOS, HEX BUFFER	381830	02735 CD4050AE	1	1	
U 2- 4	* ISOLATOR, OPTO, LED TO TRNSISTOR	536045	14936 MCT-26	3	1	
U 5	RES, NET, SIP, 8 PIN, 7 RES, 47K, +-2%	413286	89536 413286	1		
U 6	* IC, CMOS, HEX OPEN DRAIN BUFFER	473389	12040 MM74C906N	1	1	

An * in 'S' column indicates a static-sensitive part.

Table 602-5. Option -002 Output PCB Assembly (cont)

REFERENCE DESIGNATOR		FLUKE STOCK	MFRS SPLY	MANUFACTURERS PART NUMBER	TOT QTY	R S	O T	N E
-A>-NUMERICS----->	S-----DESCRIPTION-----	--NO--	-CODE-	-OR GENERIC TYPE-----		-Q-	-E-	
U 7	* IC,NMOS,8 BIT MICROCOMPUTR,2190A-9403	495309	89536	495309	1			
U 8, 9	* IC,CMOS,HEX BUFFER W/3-STATE OUTPUT	407759	12040	MM80C97N	2	1		
U 10	* IC,CMOS,HEX INVERTER	404681	02735	CD4069BE	1	1		
U 11, 12	* IC,CMOS,QUAD BILATERAL SWITCH	363838	02735	CD4016AE	2	1		
U 13	* IC,OP AMP,QUAD,JFET INPUT,14 PIN DIP	483438	89536	483438	1	1		
U 14	* TRANSISTOR,SI,N-JFET,DUAL,TO-71	419283	89536	419283	1	1		
U 15, 21	RES,NET,SIP,6 PIN,5 RES,100K,+/-2%	412726	89536	412726	2			
U 16	* IC,CMOS,QUAD XOR GATE	355222	02735	CD4030AE	1	1		
U 17	* IC,CMOS,DUAL 4 INPUT NOR GATE	363820	02735	CD4002AE	1	1		
U 18	* IC,OP AMP,DUAL,JFET INPUT,8 PIN DIP	454454	02735	CA082E	1	1		
U 19	* IC,VOLT REG,FIXED,+15 VOLTS,1.5 AMPS	413187	04713	MC7815CT	1	1		
U 20	* IC,VOLT REG,FIXED,-15 VOLTS,1.5 AMPS	413179	04713	MC7915CP	1	1		
U 22	* IC,COMPARATOR,DUAL,LO-PWR,8 PIN DIP	478354	12040	LM393N	1	1		
VR 1	* ZENER,COMP,6.4V,2%,2 PPM TC,0.5MA	393579	04713	1N4567	1			
VR 7, 8	* ZENER,UNCOMP,36.0V,5%,3.4MA,0.4W	186163	04713	1N974B	2	2		
VR 15	* ZENER,UNCOMP,6.2V,5%,20.0MA,0.4W	325811	07910	1N753A	1	1		
X 1	SOCKET,IC,40 PIN	429282	09922	DILB40P-108	1			
Y 1	* CRYSTAL,4MHZ,+/-0.02%,HC-18/U	474072	89536	474072	1	1		

An * in 'S' column indicates a static-sensitive part.

Table 602-6. A1 Output Unit Adapter PCB Assembly
(See Figure 602-4.)

REFERENCE DESIGNATOR		FLUKE STOCK	MFRS SPLY	MANUFACTURERS PART NUMBER	TOT QTY	R S	O T	N E
-A>-NUMERICS----->	S-----DESCRIPTION-----	--NO--	-CODE-	-OR GENERIC TYPE-----		-Q-	-E-	
J 1- 6	PIN,SINGLE,PWB,0.025 SQ	376574	89536	376574	6			
Q 1, 3	* TRANSISTOR,SI,NPN,SMALL SIGNAL	218396	89536	218396	2			
R 1	RES,CF,10K,+/-5%,0.25W	348839	89536	348839	1			
U 1	* IC,CMOS,DUAL D F/F,+EDG TRIG	340117	89536	340117	1			
U 2	* IC,CMOS,HEX INVERTER	404681	89536	404681	1			

An * in 'S' column indicates a static-sensitive part.

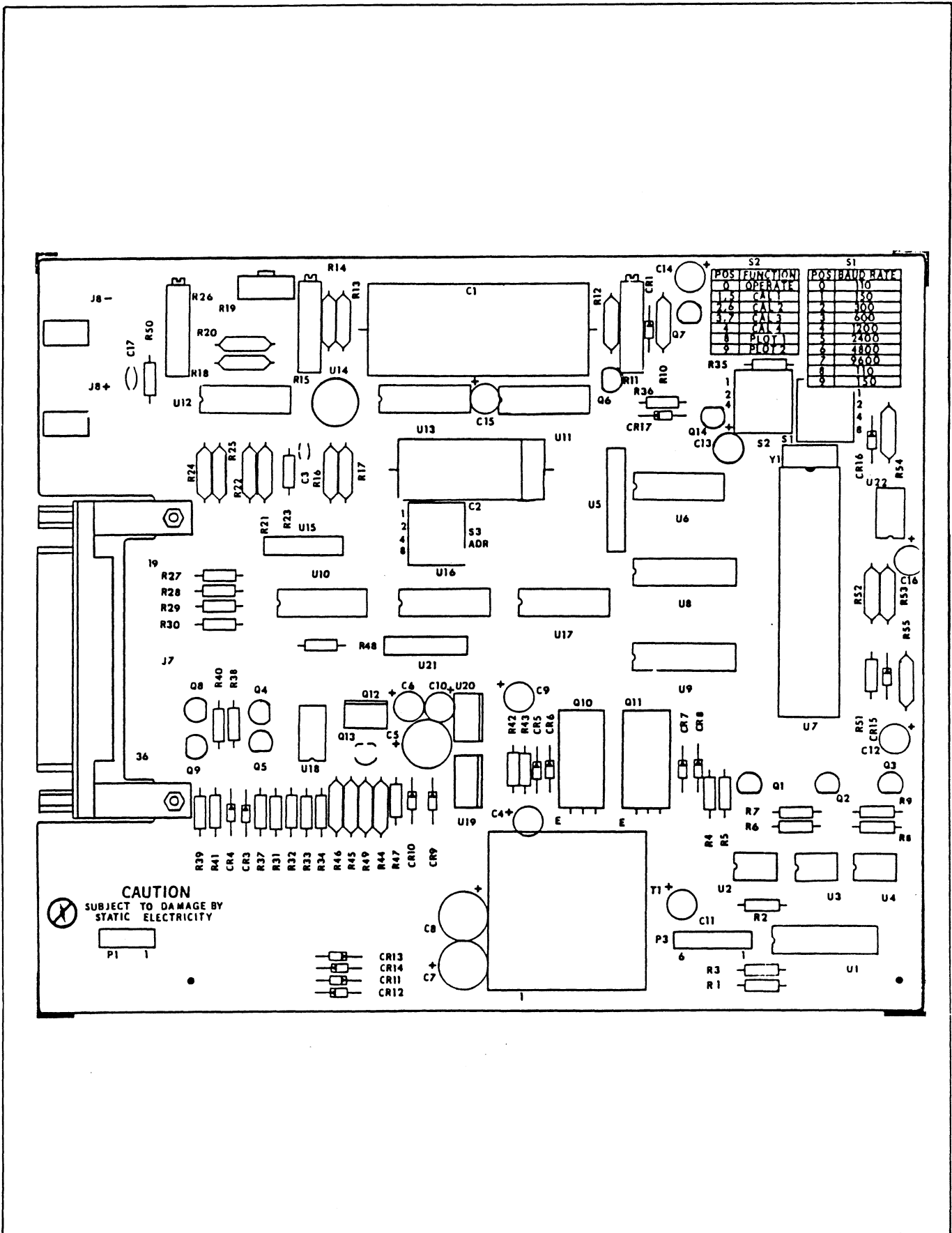
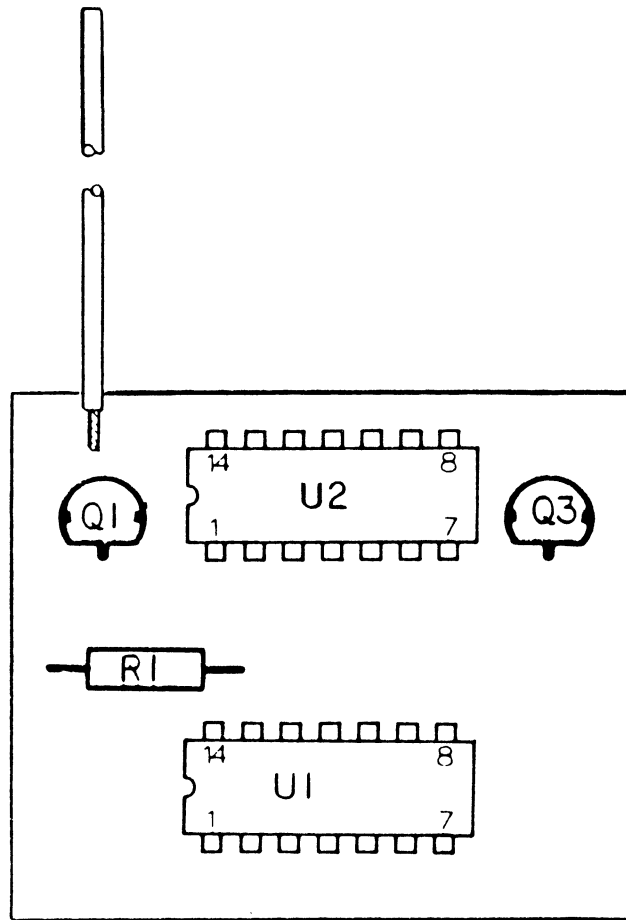


Figure 602-3. Option -002 Output PCB Assembly



2180A-1621

Figure 602-4. Output Unit Adapter Assembly

Option -004 IEEE-488 Interface

604-1. INTRODUCTION

604-2. Option 21X0A-004 IEEE-488 Interface provides the 2180A and 2190A digital thermometers with a direct output only connection to the IEEE-488 bus.

604-3. Option 21X0A-004 may be ordered with the 2180A and 2190A thermometers for factory installation, or is available by itself for service center installation. Option 21X0A-004 cannot be used in a 2300A Scanner system. For more compatibility information, refer to "Compatibility With 2300A and Previously Produced Thermometers".

604-4. The IEEE-488 standard connector is accessible from the rear panel of the thermometer. The format of the output data includes the channel number, the current reading, and any out-of-range or open thermocouple information. (Refer to Table 604-3.)

604-5. SPECIFICATIONS

604-6. Specifications for Option 21X0A-004 are shown in Table 604-1.

NOTE

The L4 listener function indicates that the thermometer IEEE-488 bus interface has the same 5-digit talk and listen addresses, and that the receipt of a listen address disables the talk address.

604-7. IEEE-488 BUS ADDRESS CODE SELECTION

604-8. A six-position dip switch (SW3), located on Option 21X0A-004 pca (printed circuit assembly), sets the IEEE-488 bus address codes for the option. To gain access to SW3, lift off the case top of the thermometer by remov-

ing the six screws from the base. Referring to Table 604-2, set positions 1 through 5 of SW3 to assign the desired address.

604-9. OPERATION

604-10. Once Option 21X0A-004 is installed and SW3 is properly set, make sure that the IEEE-488 cable is correctly connected to the option to ensure that all functions are properly monitored by the controller.

604-11. Program Considerations

604-12. Position 6 on SW3 controls the SRQ signal (Service Request) to the IEEE-488 bus. Upon receiving an SRQ, the controller serially polls each device on the bus for SRQ status. SRQ status of the Option 21X0A-004 is indicated by bit DB6 (position 64 decimal, 40 hexadecimal) in the serial poll register (U12). With SW3 position 6 in the ON position, SRQ is generated when a LF (line feed) is received in the 32-byte buffer of Option 21X0A-004. The LF character is used by the thermometer to indicate the end of a data transfer to the Option 21X0A-004. (Refer to Table 604-3.) Option 21X0A-004 sets DB1 (2 decimal), which causes a serial poll to return a total value of decimal 66 or 42 hexadecimal.

604-13. When the SRQ mode is enabled, the SRQ is set when the thermometer makes a reading available to the Option 21X0A-004. The reading is held indefinitely until the SRQ is serviced. All new readings from the thermometer are discarded. When SRQ is disabled, the output buffer is continuously updated with the most recent reading from the thermometer. However, there may be a 0.33 second delay encountered in the returned reading. This delay occurs when one reading is sent across the IEEE bus and the Option 21X0A-004 waits for the thermometer to send the next reading. An IEEE bus timeout error may occur unless the timeout is set longer than this delay.

Table 604-1. Option 21X0A-004 Specifications

ENVIRONMENTAL		
Operating Power	100, 200, 220, 240V ac \pm 10% 50/60 Hz, 3VA. (The 12-volt battery operation is not supported.)	
Operating Temperature	40°C (Outside ambient of thermometer.)	
OPERATIONAL CONTROL		
	Switch 3 (SW3)	
OUT-OF-LIMIT-SIGNAL		
	Exclamation point transmitted with Option 21X0A-006 installed only; not with Y2002.	
OUTPUT		
Protocol and Connections	IEEE-488 standard	
IEEE-488 Interface Function Capability Codes		
IDENTIFICATION	FUNCTION	CAPABILITY
SH1	Source Handshake	Full
AH1	Acceptor Handshake	Full
T6	Talker	Serial Poll (not talk only)
L4	Listener	Not listen only (see note)
SR1	Service Request	Full
DT1	Device Trigger	Full (see 604-22. for function description)

604-14. Message Format

604-15. Table 604-3. contains the sequence of information in the output data string. The sequence is the fixed length format presented on the IEEE bus.

604-16. Sample Programs

604-17. The following sample programs show two different situations in which the controller receives temperature readings from the thermometer. The program listed in Figure 604-1 instructs the controller to asynchronously retrieve a temperature reading after an SRQ has been sent from the thermometer. The program listed in Figure 604-2 instructs the controller to ask for a temperature reading at a specific program step.

604-18. SRQ Program

604-19. The SRQ program, when typed into a 1720A, 1722A, or 1752A controller informs the controller what to do when an SRQ is received from the thermometer. The program allows the controller to perform other tasks until the thermometer has a temperature reading. The thermometer sends a 66 hexadecimal value back to the controller in response to the serial poll (SPL). If more than one thermometer or more than one other instrument (a maximum of 14) is connected to the controller, the program distinguishes which instrument is sending the SRQ and deter-

mines priority if more than one SRQ is received at the same time. After the controller receives the temperature reading and prints it on the controller screen, the program ends the SRQ handling procedure and waits for another SRQ.

NOTE

The following programs are written in Fluke BASIC and operate on the 1720A, 1722A, and 1752A controllers. A modification of the SRQ program may be required to conform to other IEEE controllers.

604-20. The Non-SRQ Program

604-21. The sample program in Figure 604-2 inputs and prints temperature readings without the use of an SRQ. A 2-second delay is required after the TRIG @2 statement (line 50) to allow Option 21X0A-004 to finish the reset process before requesting readings from it. The TIMEOUT delay (line 70) must be set greater than 333 ms, so the controller waits for the thermometer to provide the next reading to the INPUT statement.

604-22. Group Execute Trigger

604-23. The Option 21X0A-004 responds to the IEEE-488 GET command by simply resetting the two microprocessors (U5 and U11) on the board. Resetting the micro-

Table 604-2. Switch 2, IEEE-488 Bus Address Selection

ADDRESS CODES	ADDRESS SWITCH SETTINGS				
	16 (5)	8 (4)	4 (3)	2 (2)	1 (1)
0	0	0	0	0	0
1	0	0	0	0	1
2	0	0	0	1	0
3	0	0	0	1	1
4	0	0	1	0	0
5	0	0	1	0	1
6	0	0	1	1	0
7	0	0	1	1	1
8	0	1	0	0	0
9	0	1	0	0	1
10	0	1	0	1	0
11	0	1	0	1	1
12	0	1	1	0	0
13	0	1	1	0	1
14	0	1	1	1	0
15	0	1	1	1	1
16	1	0	0	0	0
17	1	0	0	0	1
18	1	0	0	1	0
19	1	0	0	1	1
20	1	0	1	0	0
21	1	0	1	0	1
22	1	0	1	1	0
23	1	0	1	1	1
24	1	1	0	0	0
25	1	1	0	0	1
26	1	1	0	1	0
27	1	1	0	1	1
28	1	1	1	0	0
29	1	1	1	0	1
30	1	1	1	1	0

10 ON ERROR GOTO 250	: Initialization
20 ON CTRL/C GOTO 260	"
30 INIT PORT 0	"
40 CLEAR PORT 0	"
50 TRIG @2	: Send "Group Execute Trigger" to
60	: reset the -004, which is arbitrarily
70	: set at address 2 on Port 0.
80	
90 ON SRQ GOTO 140	: Now, tell the program what to do if an
100	: SRQ comes.
110	
120 GOTO 120	: Most of the time it just sits here.
130	
140 IF SPL(2) (>) 66 RESUME	: "spl(2)" clears the SRQ. The -004 sends
150	: a 66(42 Hex) if it set the SRQ,
160	: otherwise it sends a 0. This
170	: discriminates between other instruments
180	: on the Port that could send an SRQ.
190 INPUT @2, A\$: This command gets the thermometer reading
200	: from the -004.
210 PRINT A\$: This command prints the reading.
220 RESUME	: Ends the SRQ handling and goes to wait
230	: for another.
240	
250 PRINT 'OOPS!!! ERROR #';ERR;' ON LINE #'; ERL	
260 PRINT 'bye-bye'	
270 END	

Figure 604-1. SRQ Sample Program

Table 604-3. Message Format

CHARACTER POSITION																				
1	2	3	4	5	6	7	8	9	10	11	12	13	14	15	16	17	18	19	20	21
NORMAL TEMPERATURE MEASUREMENT DATA																				
CH	CH	SP	SP	±	SP	D	D	D	D/.	D/.	D	SP	d	F/C	SP	!	SP	SP	CR	LF
OPEN THERMOCOUPLE OUTPUT (2190A only)																				
CH	CH	SP	SP	±	SP	D	D	D	D/.	D/.	D	SP	d	F/C	SP	!	O	C	CR	LF
OVERLOAD OUTPUT																				
CH	CH	SP	SP	±	SP	D	D	D	D/.	D/.	D	SP	d	F/C	SP	!	O	L	CR	LF

SYMBOL	DESCRIPTION
CH	Channel identification numbers (00 through 99, 00 unless connected to Y2000, Y2001, or 2300A).
SP	Space
±	Plus or minus symbol
D	Temperature data values (0 through 9) for the 2180A, position 12 for the 2190A.
D/.	Either a temperature data value or a decimal point
d	a lower case (d)
F/C	Fahrenheit or Celsius
!	Character (!) when the present limit of the Limits Option 21X0A-006 is exceeded.
OC	One space if within limits.
OL	Open (thermo)couple (character positions 18 and 19)
CR	Overload (character positions 18 and 19)
LF	Carriage Return
	Line Feed

```

10 ON ERROR GOTO 250
20 ON CTRL/C GOTO 260
30 INIT PORT 0
40 CLEAR PORT 0
50 TRIG @2
60 WAIT 2000
70 TIMEOUT 350
190 INPUT @2,A$
210 PRINT A$
220 GOTO 190
250 PRINT 'OOPS!!! ERROR #';ERR;' ON LINE #';ERL
260 PRINT 'bye-bye'
270 END
!Wait for -004 to finish reset process
!Set IEEE timeout longer than reading delay
!Request a reading

```

Figure 604-2. Non-SRQ Sample Program

rocessors ensures that they are synchronized properly with the IEEE-488 interface chip (U12), and is a recommended start-up procedure at the beginning of the program in the IEEE-488 controller. A 2 second time delay is required to complete the resetting operation. Do not attempt to access Option 21X0A-004 before the end of the time delay.

604-24. Functional Equivalent

604-25. The operation of Option 21X0A-004 is functionally equivalent to the combination of the Fluke 21X0A-002, 2XXXA-522, and I120A with the exception of the following four items:

CHANGES:

1. Option 21X0A-004 displays a lower case (d) instead of a blank in front of the temperature scale indicator. See Output Format, Table 604-3.
2. Option 21X0A-004 operates at the full speed rate of the thermometer, (3 readings per second, instead of 1.5 readings per second).
3. The 2XXXA-522 previously contained a buffer-full SRQ function that produced an SRQ when the 32-byte buffer is filled. The buffer-full SRQ function no longer exists with the 2XXXA-522, but the switch is still present and its function is still listed in the 2XXXA-522 manual. The buffer-full SRQ function is not available on Option 21X0A-004.

ADDED FEATURE:

4. Option 21X0A-004 responds to a Group Execute Trigger. See Group Execute Trigger, paragraph 604-23.

604-26. If you include Option 21X0A-004 when upgrading or adding new equipment to a system currently operating with the 21X0A-002, 2XXXA-522, or I120A combination, note the first two changes listed in paragraph 604-25.

604-27. THEORY OF OPERATION

604-28. Option 21X0A-004 converts the temperature displayed by the thermometer into a format usable by an IEEE-488 Bus Controller. Option 21X0A-004 communicates with the thermometer on the clocked bit-serial accessory bus. The channel number, range, conversion type, scale, and digits of the temperature reading are transmitted on the bus. The cycle is repeated every 333 ms. When the Write Address (WRTADR-) line is held low, Data Clock

(DCLK-) clocks the accessory bus address then the thermometer data into the 3870 microprocessor (U5) on the DATA-line. In U5, the data is formatted (Table 604-2) and made available for transfer to the 8748 microprocessor (U11).

604-29. U5 applies a character to the tri-state buffers (U8 and U9) and pulls the Data Valid (DATVAL) line low. If U11 is not transferring data to U12 or if it is waiting for SRQ to be serviced, U11 responds to U5 by strobing the character onto the Option Data Bus with a STROBE- signal and reads the character into its 32-byte buffer. U11 also generates Acknowledge (ACK), which causes U5 to reply with a new character. When an LF character is detected, U11 unmask the byte-out interrupt. If the SRQ switch is set to ON, the SRQ switch triggers the GPIA (General Purpose Interface Adapter) to send SRQ to the controller. The 32-byte buffer never completely fills because thermometer readings consist of 21 bytes.

604-30. The IEEE-488 Bus Controller initiates the talk mode by sending the talk address to the GPIA (U12) over the IEEE-488 bus when Attention (ATN) is asserted true low. The GPIA responds by setting the byte-out interrupt (U12-40) high, as a signal to U11 to pass data bytes to U12. The following three conditions must be met before data transfer can begin:

- Ready For Data (RFD) from the IEEE-488 bus is true (low).
- Data Accepted (DAC) from the IEEE-488 bus is false (high).
- U11 must have the byte-out interrupt unmasked.

604-31. When the above conditions are met, U11 sends the data byte to the Data Out Register of the GPIA via the Option Data Bus. At this time, the byte-out interrupt is set to zero, and the data byte is checked for the LF character. The GPIA handshakes the data byte to the IEEE-488 Bus, and the byte-out interrupt (U12-40), transmitted to U11, is set to 1. If the data byte is an LF character, EOI (End or Identify) is also sent to the IEEE Controller to signal the end of a data reading. This process continues as long as there is data in the 32-byte buffer of U11. When the 32-byte buffer is empty, U11 masks the byte-out interrupt from the GPIA.

604-32. The IEEE-488 address setting for Option 21X0A-004 is read by the GPIA (U12) via the Option 21X0A-004 data bus when the GPIA sends a strobe out on U12-4 to the address switch tri-state buffers (U18).

604-33. When the GPIA detects a Group Execute Trigger for its address, it sets U12-24 to a logic high to cause a

Power On Reset (POR) via Q4 and U16. The POR resets U5 and U11, and lasts for approximately 150 ms.

604-34. The power supply for Option 21X0A-004 power supply is a standard linear regulator using a full-wave center tap rectifier and pass transistor regulator (Q5). The regulator is driven by U17 and Q6, and is referenced from a 2.5-volt band gap reference (U15). U16 performs POR and low voltage detection. The option provides its own power rather than using the power supply of the thermometer, which is unable to provide enough additional power.

604-35. Option 21X0A-004 is a consolidation of the circuitry from Option 21X0A-002, Option 2XXXA-522, and 1120A that is required for IEEE-488 output operation. The consolidated circuitry does not include analog output capability or the slow serial communication link between the Option 21X0A-002 and 2XXXA-522 microprocessors. Instead, the circuitry uses the PTI (Portable Test Instrument) parallel output port of the Option 21X0A-002 to communicate with the Option 2XXXA-522 microprocessor.

604-36. COMPATIBILITY WITH 2300A AND PREVIOUSLY PRODUCED THERMOMETERS

604-37. Option 21X0A-004 is not intended to be used with a thermometer that is a part of a 2300A Scanning System. In a 2300A system, an Option 2300A-005 or Option 2300A-006 should be installed in the 2300A for connection to the IEEE-488 bus. Option 2300A-005 is for output only, similar to Option 21X0A-004 operation. Option 2300A-006 additionally provides remote control of the 2300A. Options 2300A-005 and 2300A-006 use the 2XXXA-522 and 1120A for connection to the IEEE bus.

CAUTION

Option 21X0A-004 is not compatible with a 2300A Scanning System. Such use may cause channel numbers to be displaced by one reading, and each reading may be output twice.

604-38. Option 21X0A-004 is not directly compatible with the earliest version of the 2180A and 2190A thermometers. A choice of either of the two modifications described below provides compatibility. To identify the early version of thermometer, observe the thermometer display as it is turned on. If the display characters begin with "2180" or

"2190", the thermometer is an early version. Newer versions begin with "800" or "900."

604-39. If your thermometer is an early version, either of the following two modifications may be performed:

1. The microprocessor in the thermometer can be replaced with a newer version. Contact your local John Fluke Service Center to order the latest 2180A or 2190A standard versions.
 - a. When you are updating a 2180A to the latest version, be aware there are changes in the available choice of Resistance Temperature Detector (RTD) linearizations. If you require the original linearizations, order a special retrofit kit Model 2180A/AYK. (P/N 796953)
 - b. When you are selecting from the latest versions of 2190A linearizations, be aware that an enhanced microprocessor retrofit kit is also available. The enhanced retrofit kit provides 15 thermocouple types. Order Model 2190A/AMK (P/N 763292)
2. A modification to Option 21X0A-004 may alternatively be performed. Contact your local John Fluke Service Center and arrange for the installation of a 2180A-4021W (JF P/N 539288) onto Option 21X0A-004. Q1 and Q3 are removed from the pca and replaced by the modification circuit. This modification makes Option 21X0A-004 compatible with all versions of 2180A and 2190A thermometers. A +5 volt connection is provided next to U2 to provide power to the added modification circuit.

604-40. PERFORMANCE TEST

604-41. There are no adjustments or calibration.

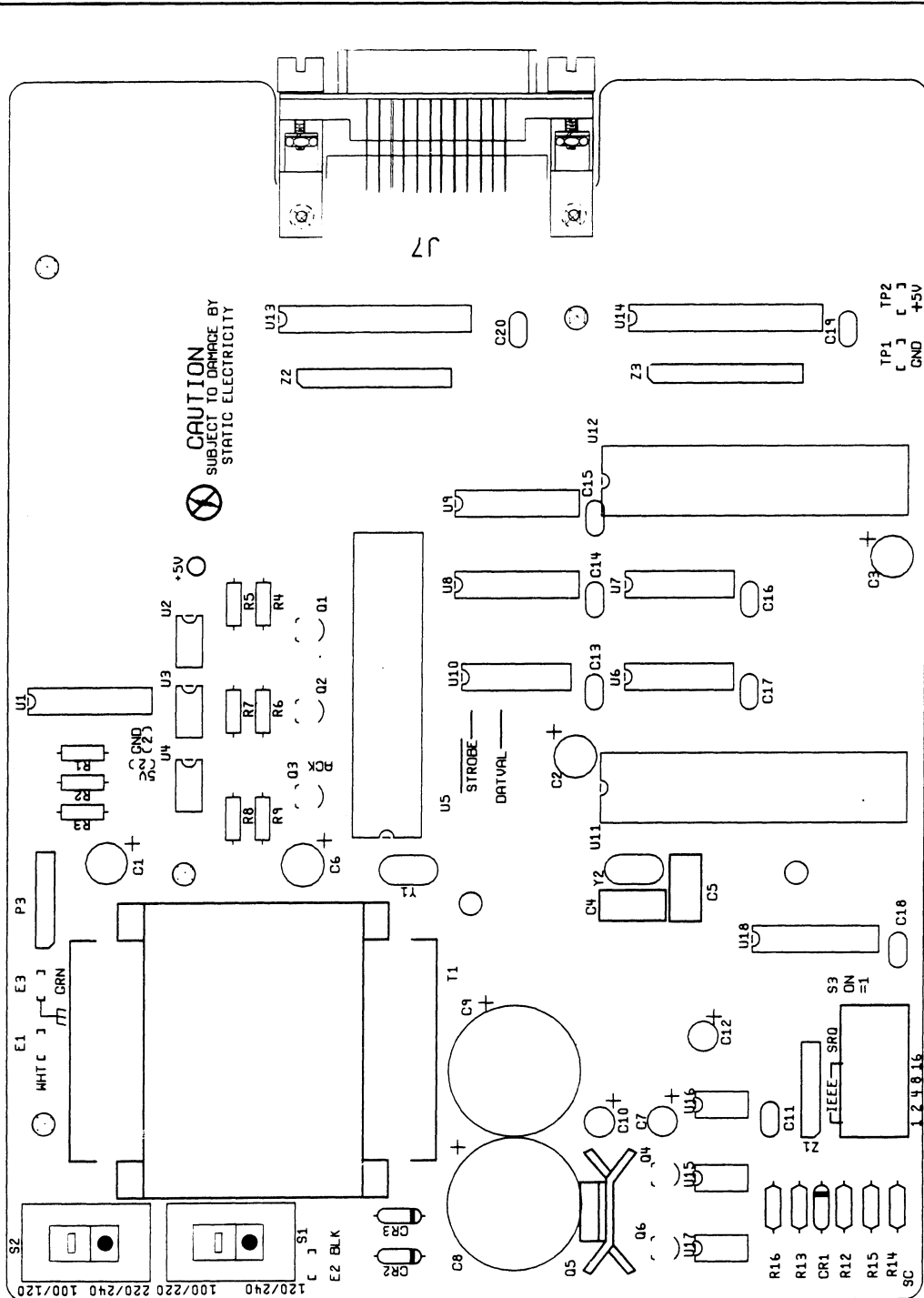
604-42. With Option 21X0A-004 attached to a 2180A or 2190A thermometer, apply proper ac input voltage and measure for 5.05 ± 0.1 volts dc across TP1 and TP2.

604-43. Connect Option 21X0A-004 to an IEEE-488 controller via the IEEE-488 bus. Execute the SRQ program in Figure 604-1 to retrieve readings from Option 21X0A-004

Table 604-5. Option -004 IEEE-488 Interface PCB Assembly
(See Figure 604-3.)

REFERENCE DESIGNATOR	FLUKE STOCK	MFRS SPLY	MANUFACTURERS PART NUMBER	TOT QTY-	R S	O T			
-A>-NUMERICS-----	S-----	DESCRIPTION-----	--NO--	-CODE-	-OR	GENERIC TYPE-----	QTY-	-Q	-E-
C 1, 2, 3,		CAP,TA,10UF,+20%,20V	330662	56289	196D106X0020KA1		4		
C 6			330662						
C 4, 5		CAP,MICA,22PF,+5%,500V	148551	02799	DM15C220J		2		
C 8, 9		CAP,AL,3300UF,+30-10%,16V,SOLV PROOF	603472	89536	603472		2		
C 10, 12, 16		CAP,TA,1UF,+10%,35V	161919	56289	196D010X00035G		3		
C 11, 13- 20		CAP,CER,0.22UF,+20%,50V,Z5U	519157	51406	RPE111Z5U224M50V		9		
CR 1	*	DIODE,SI,BV=75V,IO=150MA,500MW	203323	07910	1N4448		1		
CR 2, 3	*	DIODE,SI,100 PIV,1.5 AMP	116111	05277	1N4817		2	1	
E 1, 2, 3		TERM,FASTON,TAB,SOLDR,0.110 WIDE	512889	02660	62395		5	1	
H 1		SCREW,MACH,SEMS,PH,P,STL,6-32X0.375	177022	89536	177022		2		
H 2		NUT,HEX,S.STL,4-40	147611	89536	147611		2		
H 3		SCREW,MACH,PH,P,4-40X0.375	837690	89536	837690		2		
H 4		SCREW,CONNECTOR MOUNTING	429472	89536	429472		2		
H 5		NUT,MINI,HEX,SS,6-32	110569	89536	110569		2		
H 6		HARDWARE KIT (FOR J7)	435750	89536	435750		1		
H 7		WASHER,LOCK,SPLIT,STEEL,#4	110395	89536	110395		2		
J 7		CONN,MICRO-RIBBON,REC,PWB EDGE,24POS	484220	89536	484220		1		
MP 1		SPACER,POLY-E,SW-STANDOFF HT,0.063	285346	89536	285346		2		
MP 2		SHIELD,IEEE I/F ASSY.	795427	89536	795427		1		
P 3		CABLE,FLAT,JMPR,6 CONDUCT,0.100 SP	474155	00779	86942-5		1		
Q 1- 4, 6	*	TRANSISTOR,SI,NPN,SMALL SIGNAL	218396	04713	2N3904		5	1	
Q 1		RIVET,PUSH,BI,NYL,0.118X0.217	745869	89536	745869		1		
Q 2		HEAT DIS,VERT MT,1.25X0.875,TO-220	524934	13103	6025B-TT		1		
Q 5	*	TRANSISTOR,SI,BV= 40V, 2W,TO-220	473207	01295	TIP30		1	1	
R 1, 2, 3		RES,CF,10K,+5%,0.25W	348839	80031	CR251-4-5P10K		3		
R 4, 6, 8		RES,CF,220K,+5%,0.25W	348953	80031	CR251-4-5P220K		3		
R 5, 7, 9		RES,CF,2.2K,+5%,0.25W	343400	80031	CR251-4-5P2K2		3		
R 12		RES,MF,226K,+1%,0.125W,100PPM	320879	91637	CMF552263F		1		
R 13		RES,MF,309K,+1%,0.125W,100PPM	235283	91637	CMF553093F		1		
R 14		RES,MF,10.2K,+1%,0.125W,100PPM	293605	91637	CMF551022F		1		
R 15		RES,MF,10K,+1%,0.125W,100PPM	168260	91637	CMF551002F		1		
R 16		RES,CF,100,+5%,0.25W	348771	80031	CR251-4-5P100E		1		
S 1, 2		SWITCH,SLIDE,DPDT,POWER	234278	89536	234278		2		
S 3		SWITCH,DIP,DPST,PIANO,6 POS	800037	89536	800037		1		
T 1		5 VOLT TRANSFORMER	747881	89536	747881		1		
U 1	*	IC,CMOS,HEX BUFFER	381830	02735	CD4050AE		1	1	
U 2, 3, 4	*	ISOLATOR,OPTO,LED TO TRANSISTOR	380014	01295	T1L116		3	1	
U 5	*	IC,NMOS,8 BIT MICROCOMPUTR,2190A-9403	495309	89536	495309		1		
U 6	*	IC,LSTTL,QUAD 2 INPUT NAND GATE	393033	01295	SN74LS00N		1	1	
U 7	*	IC,LSTTL,HEX INVERTER	393058	01295	SN74LS04N		1	1	
U 8, 9, 18	*	IC,CMOS,HEX BUFFER W/3-STATE OUTPUT	407759	12040	MM80C97N		3	1	
U 10	*	IC,LSTTL,DUAL D F/F,+EDG TRG,W/CLR	393124	01295	SN74LS74N		1	1	
U 11	*	IC,NMOS,8 BIT MICROCOMPT,1KX8 EPROM	454652	34649	C8748		1		
U 12	*	IC,NMOS,GEN PURPOSE INTERFACE ADAPTOR	477794	04713	MC68488P		1	1	
U 13, 14	*	IC,LSTTL,OCTL IEEE-488 BUS TRANSCVR	524835	04713	MC3447P		2	1	
U 15	*	IC, 2.5 V,40 PPM T.C.,BANDGAP REF	472845	04713	MC1403V		1	1	
U 16	*	IC,COMPARATOR,DUAL,LO-PWR,8 PIN DIP	478354	12040	LM393N		1	1	
U 17	*	IC,OP AMP,SELECTED DIFF OUT VOLT=2MV	473777	89536	473777		1	1	
XU 5, 11, 12		SOCKET,IC,40 PIN	429282	09922	DILB40P-108		3	1	
Y 1	*	CRYSTAL,4MHZ,+0.02%,HC-18/U	474072	89536	474072		1	1	
Y 2	*	CRYSTAL,6MHZ,+0.01%,HC-18/U	461665	89536	461665		1	1	
Z 1		RES,NET,SIP,6 PIN,5 RES,100K,+2%	412726	89536	412726		1		
Z 2, 3		RES,NET,SIP,10 PIN,9 RES,100K,+2%	461038	80031	95081002CL		2		

An * in 'S' column indicates a static-sensitive part.



CAUTION
SUBJECT TO DAMAGE BY
STATIC ELECTRICITY

WARNING: ⚡ INDICATES USAGE OF MOS DEVICE(S)
WHICH MAY BE DAMAGED BY STATIC DISCHARGE. USE SPECIAL
HANDLING PER S.O.P. 19.1

21X0A-1601

Figure 604-3. Option -004 IEEE-488 Interface PCB Assembly

Option -006 Limits

606-1. INTRODUCTION

606-2. The 21X0-006 Limits Option gives the 2180A and 2190A Digital Thermometers the capability of providing both visual and electrical indications (alarms) when the temperature measurement exceeds either of a pair of selectable maximum/minimum limit values. Also selectable are, all for a single point, the delta function (displays the difference between the preset value and the temperature read), and the maximum/minimum display function (the highest or lowest temperature read since the last reset by the INITIALIZE MAX/MIN switch).

606-3. The Limits Option is available as factory installed with initial order or may be ordered as a field installable kit for addition to the instrument.

606-4. SPECIFICATIONS

606-5. Specifications for the Limits Option, 21X0-006, are as listed in Table 606-1.

Table 606-1. Specifications

Limits Function: lights LED and activates Form A (SPST) relay when a preset limit is exceeded. Contacts rated at 10 VA, 184V dc or 130V ac rms max, 0.5A max, resistive.	
Min/Max Function: Store min or max readings, resettable from front panel.	
Temperature Function: Reads \pm temperature deviations from preset nominal temperature.	
Installable: Factory or field, through pre-punched front panel.	
Function:	Limit:
\leq Low Limit	-9999 $^{\circ}$
$>$ High Limit	+9999 $^{\circ}$
Store min reading	Not used
Store max reading	Not used
$\Delta \pm$ Deviation from	Nominal

606-6. INSTALLATION

606-7. Options for field installation can be installed using the following procedure:

WARNING

HAZARDOUS VOLTAGES MAY BE PRESENT WITHIN THE INSTRUMENT. ONLY QUALIFIED PERSONNEL SHOULD PERFORM THIS INSTALLATION PROCEDURE.

1. Disconnect the thermometer from all power sources.
2. Remove the screws on the bottom of the case that fasten the top and bottom of the PTI case together and remove the top half of the case.
3. Remove the hole plugs from the Limits section of the front panel and attach the standoffs supplied with the option to the front panel.
4. Position the Limits PCB so that the thumbwheel LED and pushbutton switch line up with the applicable front panel ports.
5. Attach the Limits PCB to the Main PCB using the screws supplied with the option.
6. Connect the cable on the Limits PCB to J4 on the Main PCB.
7. Replace the PTI cover on the instrument and reconnect to input power sources, if required at this time.

606-8. OPERATING NOTES

606-9. Installation of the Limits Option enables the low current single contact relay (K1) on the thermometer Main PCB. The contact points are available on a rear panel connector block.

NOTE

Once installed there are no provisions for disabling the Limits Option. If a temperature display is desired without the relay or LED indications select one of the Limits Functions (> or ≠) and the maximum setting on the numeric thumbwheel switches.

606-10. OPERATION

606-11. The position and general description of the Limits Option front panel controls is given in Section 2. A more detailed description of the three functions is given in the following paragraphs.

606-12. Limits Function

606-13. The limits function is enabled when the function portion of the thumbwheel is set in either the \leq or $>$ position. The front panel LED illuminates and the rear panel relay contacts close when either of the preset conditions are met. In the greater than ($>$) function the indications (LED and relay contacts) result from any temperature reading that exceeds the value set on the limit thumbwheel. The less than (\leq) function gives its indication when the temperature read by the thermometer is equal to, or less than, the value set on the limit thumbwheels. The thumbwheel LSD is a whole number, fractional entries cannot be made.

606-14. Delta Function

606-15. When the delta (Δ) function is selected on the thumbwheel the thermometer display reads the difference between the temperature at the thermocouple and the whole number setting of the thumbwheels. The formula used for the computation is:

$T_{\text{displayed}} = T_{\text{at thermocouple}} - T_{\text{thumbwheel setting}}$
(in degrees)

606-16. MINIMUM/MAXIMUM Display Function

606-17. The microcomputer accumulates and stores the highest and lowest temperatures recorded since the last reset. When the maximum (\uparrow) function is selected the highest temperature recorded and stored in the microcomputer is displayed. Selection of the minimum function (\downarrow) displays the lowest recorded temperature

since the last reset. To record the current temperature for either function, select the applicable function and depress the front panel reset switch.

606-18. THEORY OF OPERATION

606-19. The -006 Option supplies the thermometer with the function and numeric data selected on the front panel mechanical thumbwheel switches. When a Limits function is selected the data is stored for comparison on the option pcb. All communication between the option and the thermometer is done on the clocked serial accessory bus. This bus transmits and receives addresses, thumbwheel data, reset data, and limit status. Refer to the schematic in Section 8 during the Theory of Operation discussion.

606-20. Addressing

606-21. Each of the options on the bus is addressed with a different code. The thermometer uses the address "6" to talk to the Limits Option. To talk to any option, the $\overline{\text{WRTADR}}$ (P4-3) line must be brought low with $\overline{\text{WRT}}$ (P4-4) high, followed by the applicable four address bits applied to the $\overline{\text{DATA}}$ (P4-5) line in succession, toggling $\overline{\text{DCLK}}$ (P4-6) for each bit. This clocks the address into the shift register (U2-15) where it is compared to the Limits Option address and, if valid, (U1-1 low) enables the gates required to shift data to the thermometer (U5-11) and into the limits option (U5-2). Details of the data transfer are in subsequent paragraphs.

606-22. Limits Option Outputs

606-23. Before the thermometer can input data from the Limits Option the Limits circuitry must be addressed as described previously (U1-1 low). Once addressed, the $\overline{\text{WRTADR}}$ and $\overline{\text{WRT}}$ lines go high. The low to high transition of $\overline{\text{WRTADR}}$ (U3-6) loads the shift registers from the thumbwheel and RESET switches. The two lines enable the output data line (U1-13) and as the thermometer accepts the data it clocks the serial output shift registers with $\overline{\text{DCLK}}$, transferring the data from the shift register to the thermometer.

606-24. In the thermometer the data is processed by the microcomputer to perform the proper action. For the limits function, the output is compared to the state of the limits and, if exceeded, the indicator illuminated and the relay energized. For the delta function, the temperature is compared against the transmitted value and the difference displayed. If either the maximum or minimum function is selected the stored value is displayed, but, in addition, the status of the RESET switch is checked.

606-25. Limits Option Inputs

606-26. The thermometer transmits to the Limits Option only the limits exceeded status. After the option

has been addressed, (U1-1) \overline{WRTADR} goes high to disable the addressing circuit (U4-13), while \overline{WRT} stays low to enable the limits exceeded input (U5-8) so that \overline{DCLK} can clock the data into the latch (U5-1). A limits exceeded indication clocks a high into the latch resulting in a low at the output (U6-12) to turn on CR1. The limits not exceeded or another function selected, loads a low into the latch to turn off the indicator.

606-27. CALIBRATION

606-28. The Limits Option has no variable components and does not require calibration.

606-29. TROUBLESHOOTING

606-30. Troubleshooting for the 2190A Option -006, Limits, consists of the tabular flow chart in Table 606-2. When a step on the flow chart is completed, check for a decision transfer. If no decision is required, perform the next step of the table in sequence.

606-31. LIST OF REPLACEABLE PARTS

606-32. Table 606-3 is a list of replaceable parts for the Limits Option. Refer to Section 5 for an explanation of the columnar entries.

Table 606-2. Limits Option Troubleshooting

STEP NO.	ACTION	Go to the step number given for correct response	
		YES	NO
<i>NOTE</i>			
<i>These tests are based on the assumption that the 2180A/2190A has been thoroughly checked out and is free of troubles prior to beginning the test of the Limits Option -006.</i>			
1	Select the less than or equal function (\leq) and set the thumbwheels for a numeric such that the thermocouple input exceeds the preset numeric (e.g., thumbwheels set at +1111 and the ambient temperature used as the thermocouple input).		
2	Does the LIMIT indicator illuminate and the rear panel relay contacts close?	26	3
3	Is the +5V dc input from the Main PCB present?	5	4
4	Check the +5 Vdc input, repair as required then resume at Step 1.		
5	Does the signal at U1-1 toggle (vary between logic high and logic low) when viewed with a scope?	13	6
6	Do the \overline{WRT} , \overline{WRTADR} and \overline{DCLK} lines toggle?	8	7
7	Check the inputs on the cable from the microcomputer on the Main PCB. Repair as required then resume at Step 1.		
8	Does the \overline{DATA} line toggle?	10	9
9	Check the cabling and Q1, Q2, U3-8 and their associated components. Repair as required then resume at Step 1.		
10	Are the clock and data signals present at pins 1 and 15 of U2, respectively?	12	11
11	Check U1, U2-2, 11, 12, 13 and U3. Repair as required then resume at Step 1.		
12	Check U4 for the clock and U6 for loading of the data line. Repair as required then resume at Step 1.		
13	Is the function code (\leq) a BCD 0 with pins 4, 5, and 6 of U7 low, the sign (+) at U7-7 high, the numeric MSD BCD code as set at pins 1, 15, 14 and 13 of U9, the second MSD BCD code as set at pins 4, 5, 6, and 7 of U11?	15	14
14	Check the switches and their associated components. Repair as required then resume at Step 1.		
15	Is the clock present at U7-10, U9-10, and U11-10?	17	16
16	Check U4-10, U1-13 and their inputs. Repair as required then resume at Step 1.		

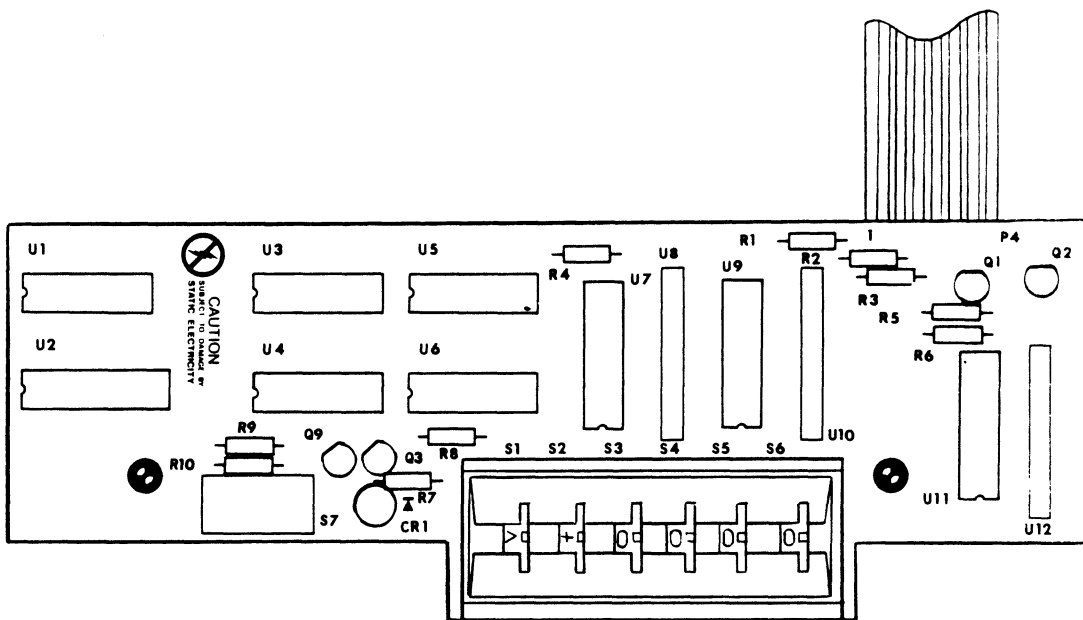
Table 606-2. Limits Option Troubleshooting (cont)

STEP NO.	ACTION	Go to the step number given for correct response	
		YES	NO
17	Does the signal at U11-3, U9-3, and U7-3 toggle?	19	18
18	Check U11, U9, and U7. Repair as required then resume at Step 1.		
19	Does the <u>DATA</u> line toggle?	21	20
20	Check Q1, Q2, U3, U5-10 and their associated components. Repair as required then resume at Step 1.		
21	Are the clock and data signals present at pins 11 and 9 of U6, respectively?	23	22
22	Check U5 for the clock, repair as required then resume at Step 1.		
23	Is the collector of Q9 low?	25	24
24	Check Q9, Q3, U6-12 and their associated components. Repair as required then resume at Step 1.		
25	Check the indicator CR1 and the relay on the Main PCB. Repair as required then resume at Step 1.		
26	Set the FUNCTION switch to greater than (\triangleright) and input a temperature from the thermocouple that exceeds the preset limit.		
27	Does the LIMIT indicator illuminate and the relay contacts close?	29	28
28	Check for a Function BCD code of 1 (001) at pins 4, 5, and 6 of U7. The sign at U7-7 is high for plus and low for minus. Check that the thumbwheel switches reflect the BCD codes set on them. Repair as required then resume at Step 1.		
29	Set the FUNCTION switch to the Delta (Δ) position and set the thumbwheels to the desired base.		
30	Is the difference between the thermocouple input and the preset base displayed?	32	31
31	Check for a Function of BCD code of 2 (010) at pins 4, 5, and 6 of U7. Check that the thumbwheel switches reflect the BCD codes set on them. Repair as required then resume at Step 29.		
32	Set the FUNCTION switch to the minimum (∇) position and depress the INITIALIZE MIN/MAX switch.		
33	Does the thermometer display reflect the lowest temperature input from the thermocouple since the switch was depressed?	35	34
34	Check for a Function BCD code of 3 (011) at pins 4, 5, and 6 of U7. Check U2-4 and 5, U4-3 and 4, U6-1, the initialize switch S7 and their associated components. Repair as required then resume at Step 32.		
35	Set the FUNCTION switch to the MAXIMUM (\Uparrow) position and depress the INITIALIZE MIN/MAX switch.		
36	Does the thermometer display reflect the highest temperature input from the thermocouple since the switch was depressed?	38	37
37	Check for a Function BCD code of 4 (100) at pins 4, 5, and 6 of U7. Repair as required then resume at Step 35.		
38	Troubleshooting of the 21X0-006 Limits Option is complete.		

Table 606-3. Option -006 Limits PCB Assembly
(See Figure 606-1.)

REFERENCE DESIGNATOR	FLUKE STOCK	MFRS SPLY	MANUFACTURERS PART NUMBER	TOT	R	O		
-A>-NUMERICS-->	S-----	DESCRIPTION-----	--NO--	-CODE-	-OR GENERIC TYPE-----	QTY-	-Q	-E-
CR 1	*	LED, RED, PCB MOUNT, LUM INT= >0.6 MCD	385914	09214	SSL-22	1		
H 1		SCREW, MACH, PH, PSTL, 6-32X0.500	152173	89536	152173	2		
H 2		SCREW, MACH, SEMS, PH, P, STL, 6-32X.500	177030	89536	177030	2		
MP 1		ACTUATOR, SWITCH	412106	89536	412106	1		
MP 2		COVER, PUSHBUTTON SWITCH	401299	89536	401299	1		
MP 3		BUTTON	472332	89536	472332	1		
MP 4		ASSY, LED STANDOFF	472548	89536	472548	1		
MP 5		SPACER, RND, S STEEL, 0.143IDX0.250	484865	89536	484865	2		
P 4		CABLE, FLAT, JMPR, 7 CONDUCT, 0.100 SP	474379	00779	86946-6	1		
Q 1	*	TRANSISTOR, SI, PNP, SMALL SIGNAL	195974	64713	2N3906	1	1	
Q 2, 3, 9	*	TRANSISTOR, SI, NPN, SMALL SIGNAL	218396	64713	2N3904	3		
R 1- 4, 6,		RES, CF, 10K, +-5%, 0.25W	348839	80031	CR251-4-5P10K	6		
R 8			348839					
R 5		RES, CF, 100K, +-5%, 0.25W	348920	80031	CR251-4-5P100K	1		
R 7		RES, CF, 240, +-5%, 0.25W	376624	80031	CR251-4-5P240E	1		
R 9		RES, CF, 20K, +-5%, 0.25W	441477	80031	CR251-4-5P20K	1		
R 10		RES, CF, 2.2K, +-5%, 0.25W	343400	80031	CR251-4-5P2K2	1		
S 1		SWITCH, ROTARY, MULT POS, SPECIAL, 6THUMB	472803	89536	472803	1		
S 2		SWITCH PART, SPST, SPRING	414516	00779	63212	1		
S 3		SWITCH PART, SPST, FIXED CONTACT	416875	00779	62313	1	1	
U 1	*	IC, CMOS, DUAL 4 INPUT NAND GATE	355206	04713	NM14012CP	1	1	
U 2	*	IC, CMOS, DUAL, 4BIT SER-IN, PAR-OUT SHFT	340125	04713	MC14015CP	1	1	
U 3	*	IC, CMOS, HEX INVERTER	404681	02735	CD4069BE	1	1	
U 4	*	IC, CMOS, QUAD 2 INPUT NOR GATE	355172	02735	CD4001AE	1	1	
U 5	*	IC, CMOS, TRIPLE 3 INPUT NOR GATE	355180	02735	CD4025AE	1	1	
U 6	*	IC, CMOS, DUAL D F/F, +EDG TRIG	340117	02735	CD4013AE	1	1	
U 7, 9, 11	*	IC, CMOS, DUAL D F/F, +EDG TRIG	380766	02735	CD4021AE	3	1	
U 8, 10, 12		RES, NET, SIP, 8 PIN, 7 RES, 100K, +-2%	412908	89536	412908	3	1	

An * in 'S' column indicates a static-sensitive part.



2180A-1660

Figure 606-1. Option -006 Limits PCB Assembly

Section 7

General Information

7-1. This section of the manual contains generalized user information as well as supplemental information to the List of Replaceable Parts contained in Section 5.

Federal Supply Codes for Manufacturers

<p>D9816 Westermann Wilhelm Augusta-Anlage Mannheim-Nackarau Germany</p>	<p>01101 Wabash Inc (Formerly Wabash Magnetics) Wabash, IN</p>	<p>02697 Parker-Hannifin Corp. O-Ring Div Lexington, KY</p>	<p>04423 Telonic Berkley Inc. Laguna Beach, CA</p>
<p>S0482 Sony Corp. Tokyo, Japan</p>	<p>01121 Allen Bradley Co. Milwaukee, WI</p>	<p>02735 RCA-Solid State Div. Somerville, NJ</p>	<p>04713 Motorola Inc. Semiconductor Group Phoenix, AZ</p>
<p>S3774 Oshino Electric Lamp Works Tokoyo, Japan</p>	<p>01281 TRW Electronics & Defense Sector R F Devices Lawndale, CA</p>	<p>02768 ITW (IL Tool Works) Fastex Division Des Plaines, IL</p>	<p>04946 Standard Wire and Cable Rancho Dominguez, CA</p>
<p>0AD86 IN General El Paso, TX</p>	<p>01295 TX Instruments Inc. Semiconductor Group Dallas, TX</p>	<p>02799 Arco Electronics Inc. Chatsworth, CA</p>	<p>05173 General Radio NY,NY. Replaced by:</p>
<p>0AE89 Autosplice Inc. Woodside, NY</p>	<p>01526 Genicom Waynesboro, VA</p>	<p>03296 Nylon Molding Corp. Monrovia, CA</p>	<p>24655 Genrad,INC. Concord, MA</p>
<p>0BW21 Noritake Co. Inc. Burlington, MA</p>	<p>01537 Motorola Communications & Electronics Inc. Franklin Park, IL</p>	<p>03445 Lercon Electronics Inc Burbank, CA</p>	<p>05236 Jonathan Mfg. Co. Fullerton, CA</p>
<p>0ANF0 Topaz Semiconductor Inc San Jose, CA</p>	<p>01686 RCL Electronics/Shallcross Inc. Electro Components Div. Manchester, NH</p>	<p>03508 General Electric Co. Semiconductor Products & Batteries Auburn, NY</p>	<p>05245 Corcom Inc. Libertyville, IL</p>
<p>0DSM7 Conductive (Pkg) Containers Inc. Brookfield, WI</p>	<p>01884 Sprague Electric Co. (Now 56289)</p>	<p>03797 Genisco Technology Corp. Eltronics Div. Rancho Dominguez, CA</p>	<p>05276 ITT Pomona Electronics Div. Pomona, CA</p>
<p>0CLN7 Emhart Fastening Group Shelton, CT</p>	<p>01961 Varian Associates Inc. Pulse Engineering Div. Convoy, CT</p>	<p>03877 Gilbert Engineering Co.Inc Incon Sub of Transiron Electronic Corp. Glendale, AZ</p>	<p>05277 Westinghouse Elec. Corp. Semiconductor Div. Youngwood, PA</p>
<p>0FB81 S-Mos Systems Inc. San Jose, CA</p>	<p>01963 Cherry Electrical Products Corp Waukegan, IL</p>	<p>03888 KDI Electronics Inc. Pyrofilm Div. Whippany, NJ</p>	<p>05347 Ultronix Inc Grand Junction, CO</p>
<p>0FFP1 Eveready LTD Ever Ready Special Battery Div. Dawley Telford Salop UK</p>	<p>02111 Spectrol Electronics Corp. City of Industry, CA</p>	<p>03911 Clairex Corp. Clairex Electronics Div. Mount Vernon, NY</p>	<p>05397 Union Carbide Corp. Materials Systems Div. Cleveland, OH</p>
<p>00199 Marcon Electronics Corp Keamy, NJ</p>	<p>02114 Amperex Electronic Corp. Ferrox Cube Div. Saugerties, NY</p>	<p>03980 Muirhead Inc. Mountainside, NJ</p>	<p>05571 Sprague Electric Co. (Now 56289)</p>
<p>00213 Nytronics Comp. Group Inc. Darlinton, NC</p>	<p>02131 General Instrument Corp. Government Systems Div. Westwood, MA</p>	<p>04009 Cooper Industries, Inc. Arrow Hart Div. Hartford, CT</p>	<p>05574 Viking Connectors Inc Sub of Criton Corp. Chatsworth, CA</p>
<p>00327 Welwyn International Inc. Westlake, OH</p>	<p>02395 Sonar Radio Corp. Hollywood, FL</p>	<p>04217 Essex International Inc. Wire & Cable Div. Anaheim, CA</p>	<p>05791 LYN-TRON Burbank, CA</p>
<p>00656 Aerovox Corp. New Bedford, MA</p>	<p>02533 Leigh Instruments Ltd. Frequency Control Div. Don Mills, Ontario, Canada</p>	<p>04221 Midland-Ross Corp. Midtex Div. N. Mankato, MN</p>	<p>05820 EG & G Wakefield Engineering Wakefield, MA</p>
<p>00686 Film Capacitors Inc. Passaic, NJ</p>	<p>02606 Fenwal Labs Division of Travenal Labs Morton Grove, IL</p>	<p>04222 AVX Corp. AVX Ceramics Div. Myrtle Beach, SC</p>	<p>05839 Advance Electrical Chicago, IL</p>
<p>00779 AMP, Inc. Harrisburg, Pennsylvania</p>	<p>02660 Bunker Ramo-Eltra Corp. Amphenol NA Div. Broadview, IL</p>	<p>05972 Loctite Corp. Newington, CT</p>	
<p>00853 Sangamo Weston Inc Components Div Pickens, NC</p>			
<p>01091 Allied Plastics Co. Los Angeles, CA</p>			

Federal Supply Codes for Manufacturers (cont)

06001 General Electric Co. Electric Capacitor Product Section Columbia, SC	07047 Ross Milton Co., The Southampton, PA	08111 MF Electronics New Rochelle, NY	1B715 (United Shoe & Nylock Corp) -Nylock Fastener Corp.- Paramus, NJ
06141 Fairchild Weston Systems Inc. Data Systems Div. Sarasota, FL	07138 Westinghouse Electric Corp. Industrial & Government Tube Div. Horseheads, NY	08235 Industro Transistor Corp. Long Island City, NY	10059 Barker Engineering Corp. Kenilworth, NJ
06192 La Deau Mfg. Co. Glendale, CA	07233 Benchmark Technology Inc. City of Industry, CA	08261 Spectra-Strip An Eltra Co. Garden Grove, CA	10389 IL Tool Works Inc. Licon Div. Chicago, IL
06229 Electrovert Inc. Elmsford, NY	07239 Biddle Instruments Blue Bell, PA	08445 Electri-Cord Mfg., Inc Westfield, PA	11236 CTS Corp. Resistor Products Div. Beme, IN
06383 Panduit Corp. Tinley Park, IL	07256 Silicon Transistor Corp. Sub of BBF Inc. Chelmsford, MA	08530 Reliance Mica Corp. Brooklyn, NY	11237 CTS Corp of CA Electro Mechanical Div. Paso Robles, CA
06473 Bunker Ramo Corp. Amphenol NA Div. SAMS Operation Chatsworth, CA	07261 Avnet Corp. Culver City, CA	08718 ITT Cannon Electric Phoenix Div. Phoenix, AZ	11295 ECM Motor Co. Schaumburg, IL
06540 Mite Corp Amatom-Electrical Div	07263 Fairchild Semiconductor North American Sales Ridgeview, CT	08806 General Electric Co. Minature Lamp Products Cleveland, OH	11358 Columbia Broadcasting System CBS Electronic Div. Newburyport, MA
06555 Beede Electrical Instrument Penacook, NH	07344 Bircher Co. Inc., The Rochester, NY	08863 Nylomatic Fallsington, PA	11403 Vacuum Can Co. Best Coffee Maker Div. Chicago, IL
06665 Precision Monolithics Sub of Boums Inc. Santa Clara, CA	07374 Optron Corp Woodbridge, CT	08988 Skottie Electronics Inc. Archbald, PA	11502 (can also use 35009) TRW Inc. TRW Resistive Products Div. Boone, NC
06666 General Devices Co. Inc. INpolis, IN	07557 Campion Co. Inc. Philadelphia, PA	09021 Aircro Inc. Aircro Electronics Bradford, PA	11503 Keystone Columbia Inc. Freemont, IN
06739 Electron Corp. Littleton, CO	07597 Bumdy Corp. Tape/Cable Div. Rochester, NY	09023 Cornell-Dublier Electronics Fuquay-Varina, NC	11532 Teledyne Relays Teledyne Industries Inc. Hawthorne, CA
06743 Gould Inc. Foil Div. Eastlake, OH	07716 TRW Inc. (Can use 11502) IRC Fixed Resistors/ Burlington Burlington, VT	09214 General Electric Co. Semiconductor Products Dept. Auburn, NY	11711 General Instrument Corp. Rectifier Div. Hicksville, NY
06751 Components Inc. Semcor Div. Phoenix, AZ	07792 Lerma Engineering Corp. Northampton, MA	09353 C and K Components Inc. Newton, MA	11726 Qualidyne Corp. Santa Clara, CA
06776 Robinson Nugent Inc. New Albany, IN	07810 Bock Corp. Madison, WI	09423 Scientific Components Inc. Santa Barbara, CA	12014 Chicago Rivet & Machine Co. Naperville, IL
06915 Richco Plastic Co. Chicago, IL	07910 Teledyne Semiconductor Mtn. View, CA	09922 Bumdy Corp. Norwalk, CT	12020 Ovenaire Div. of Electronic Technologies Charlottesville, VA
06961 Vernitron Corp. Piezo Electric Div. Bedford, OH	07933 Raytheon Co. Semiconductor Div. Mountain View, CA	09969 Dale Electronics Inc. Yankton, SD	12038 Simco (Div of Ransburg Corp) Hatfield, PA
06980 EIMAC (See Varian) San Carlos, CA	08FG6 Calmos Systems Inc. Kanata, Ont. Canada	09975 Burrughs Corp. Electronics Components Detroit, MI	12040 National Semiconductor Corp. Danbury, CT
	080A9 Dallas Semiconductor Dallas, TX	1A791 LFE Electronics Danvers, MA	

Federal Supply Codes for Manufacturers (cont)

12060 Diodes Inc. Northridge, CA	13050 Potter Co. Wesson, MS	14704 Crydom Controls (Division of Int Rectifier) El Segundo, CA	16473 Cambridge Scientific Industries Div. of Chemed Corp. Cambridge, MD
12136 PHC Industries Inc. Formerly Philadelphia Handle Co. Camden, NJ	13103 Thermalloy Co., Inc. Dallas, TX	14752 Electro Cube Inc. San Gabriel, CA	16733 Cablewave Systems Inc. North Haven, CT
12300 AMF Canada Ltd. Potter-Brumfield Guclph, Ontario, Canada	13327 Solitron Devices Inc. Tappan, NY	14936 General Instrument Corp. Discrete Semi Conductor Div. Hicksville, NY	16742 Paramount Plastics Fabricators Inc. Downey, CA
12323 Practical Automation Inc. Shelton, CT	13511 Bunker-Ramo Corp. Amphenol Cadre Div. Los Gatos, CA	14949 Trompeter Electronics Chatsworth, CA	16758 General Motors Corp. Delco Electronics Div. Kokomo, IN
12327 Freeway Corp. Cleveland, OH	13606 Sprague Electric Co. (Use 56289)	15412 Amtron Midlothian, IL	17069 Circuit Structures Lab Burbank, CA
12406 Elpac Electronics Inc. Santa Ana, CA	13689 SPS Technologies Inc. Hatfield, NJ	15542 Scientific Components Corp. Mini-Circuits Laboratory Div. Brooklyn, NY	17117 Electronic Molding Corp. Woonsocket, RI
12443 Budd Co.,The Plastics Products Div. Phoenixville, PA	13764 Micro Plastics Flippin, AZ	15636 Elec-Trol Inc. Saugus, CA	17338 High Pressure Eng. Co. Inc. OK City, OK
12581 Hitachi Metals International Ltd. Hitachi Magna-Lock Div. Big Rapids, MO	13919 Burr-Brown Research Corp. Tucson, AZ	15782 Bausch & Lomb Inc. Graphics & Control Div. Austin, TX	17504 Aluminum Filter Co. Carpinteria, CA
12615 US Terminals Inc. Cincinnati, OH	14099 Semtech Corp. Newbury Park, CA	15801 Fenwal Electronics Inc. Div. of Kidde Inc. Framingham, MA	17545 Atlantic Semiconductors Inc. Asbury Park, NJ
12617 Hamlin Inc. LaKe Mills, WI	14140 McGray-Edison Co. Commercial Development Div. Manchester, NH	15818 Teledyne Inc. Co. Teledyne Semiconductor Div. Mountain View, CA	17745 Angstrom Precision, Inc. Hagerstown, MD
12673 Wesco Electrical Greenfield, MA	14189 Ortronics, Inc. Orlando, FL	15849 Useco Inc. (Now 88245)	17856 Siliconix Inc. Santa Clara, CA
12697 Clarostat Mfg. Co. Inc. Dover, NH	14193 Cal-R-Inc. Santa Monica, CA	15898 International Business Machines Corp. Essex Junction, VT	18178 E G & Gvactee Inc. St. Louis, MO
12749 James Electronic Inc. Chicago, IL	14301 Anderson Electronics Hollidaysburg, PA	16068 International Diode Div. Harrison, NJ	18235 KRL/Bantry Components Inc. Manchester, NH
12856 MicroMetals Inc. Anaheim, CA	14329 Wells Electronics Inc. South Bend, IN	16162 MMI Southfield, MI	18310 Concord Electronics New York, NY
12881 Metex Corp. Edison, NJ	14482 Watkins-Johnson Co. Palo Alto, CA	16245 Conap Inc. Olean, NY	18324 Signetics Corp. Sacramento, CA
12895 Cleveland Electric Motor Co. Cleveland, OH	14552 Microsemi Corp. (Formerly Micro-Semiconductor) Santa Ana, CA	16258 Space-Lok Inc. Burbank, CA	18377 Partex Corp. Methuen, MA
12954 Microsemi Corp. Components Group Scottsdale, AZ	14604 Elmwood Sensors, Inc Pawtucket, RI	16352 Codi Corp. Linden, NJ	18520 Sharp Electronics Corp. Paramus, NJ
12969 Unitrode Corp. Lexington, MA	14655 Cornell-Dublier Electronics Div. of Federal Pacific Electric Co. Govt Cont Dept. Newark, NJ	16469 MCL Inc. LaGrange, IL	18542 Wabash Inc. Wabash Relay & Electronics Div. Wabash, IN

Federal Supply Codes for Manufacturers (cont)

18565 Chomerics Inc. Woburn, MA	2Y384 North American Philips Lighting Corp. Van Wert, OH	23732 Tracor Applied Sciences Inc. Rockville, MD	26402 Lumex, Inc. Bayside, NY
18612 Vishay Intertechnology Inc. Vishay Resistor Products Group Malvern, PA	20584 Enochs Mfg. Inc. INpolis, IN	23880 Stanford Applied Engineering Santa Clara, CA	26629 Frequency Sources Inc. Sources Div. Chelmsford, MA
18632 Norton-Chemplast Santa Monica, CA	20891 Cosar Corp. Dallas, TX	23936 William J. Purdy Co. Pamotor Div. Burlingame, CA	26806 American Zetler Inc. Irvine, CA
18677 Scanbe Mfg. Co. Div. of Zero Corp. El Monte, CA	21317 Electronics Applications Co. El Monte, CA	24347 Penn Engineering Co. S. El Monte, CA	27014 National Semiconductor Corp. Santa Clara, CA
18736 Voltronics Corp. East Hanover, NJ	21604 Buckeye Stamping Co. Columbus, OH	24355 Analog Devices Inc. Norwood, MA	27167 Corning Glass Works Corning Electronics Wilmington, NC
18786 Micro-Power Long Island City, NY	21845 Solitron Devices Inc. Semiconductor Group Rivera Beach, FL	24444 General Semiconductor Industries, Inc. Tempe, AZ	27264 Molex Inc. Lisle, IL
18927 GTE Products Corp. Precision Material Products Business Parts Div. Titusville, PA	21847 Aertech Now TRW Microwave Inc. Sunnyvale, CA	24546 Bradford Electronics Bradford, PA	27440 Industrial Screw Products Los Angeles, CA
19080 Robinson Electronics Inc. San Luis Obispo, CA	21962 Vectron Corp. Replaced by: S.W. Electronics	24618 Transcon Mfg. Now: D.J. Associates Inc.	27494 Staffall, Inc. Providence, RI
19112 Garry Corp. Langhorne, PA	22526 DuPont, El DeNemours & Co. Inc. DuPont Connector Systems Advanced Products Div. New Cumberland, PA	24655 Genrad Inc. (Replaced General Radio 05173) Concord, MA	27745 Associated Spring Barnes Group Inc. Syracuse, NY
19315 Bendix Corp., The Navigation & Control Group Terboro, NJ	22626 Micro Semiconductor (Now 14552)	24759 Lenox-Fugle Electronics Inc. South Plainfield, NJ	27918 Component Parts Corp. Bellmore, NY
19451 Perine Machine Tool Corp. Kent, WA	22670 GM Nameplate Seattle, WA	24796 AMF Inc. Potter & Brumfield Div. San Juan Capistrano, CA	27956 Relcom (Now 14482)
19482 Delta Electronics Alexandria, VA	22767 ITT Semiconductors Palo Alto, CA	24931 Specialty Connector Co. Greenwood, IN	28175 Alpha Metals Chicago, IL
19613 MN Mining & Mfg. Co. Textool Products Dept. Electronic Product Div. Irving, TX	22784 Palmer Inc. Cleveland, OH	24995 ECS Grants Pass, OR	28198 Positronic Industries Springfield, MO
19647 Caddock Electronics Inc. Riverside, CA	23050 Product Comp. Corp. Mount Vernon, NY	25088 Siemen Corp. Isilen, NJ	28213 MN Mining & Mfg. Co. Consumer Products Div. 3M Center Saint Paul, MN
19701 Mepco/Centralab Inc. A N. American Philips Co. Mineral Wells, TX	23223 CTS Microelectronics Lafayette, NY	25099 Cascade Gasket Kent, WA	28309 Kaiser Minette, AL
2B178 Wire Products Cleveland, OH	23237 I.R.C., Inc. Microcircuits Division Philadelphia, PA	25403 Amperex Electronic Corp. Semiconductor & Micro-Circuit Div. Slatersville, RI	28425 Serv-O-Link Euless, TX
2K262 Boyd Corporation Portland, OR	23302 S.W. Electronics & Mfg. Corp. Cherry Hill, NJ	25435 Moldtronics, Inc Downers Grove, IL	28478 Deltrol Corporation Deltrol Controls Div. Miwaukee, WI
	23730 Mark Eyelet and Stamping Inc. Wolcott, CT	25706 Daburn Electronic & Cable Corp. Norwood, NJ	28480 Hewlett Packard Co. Corporate HiQ Palo Alto, CA

Federal Supply Codes for Manufacturers (cont)

28484 Emerson Electric Co. Gearmaster Div. McHenry, IL	31433 Kemet Electronics Corp. Simpsonville, NC	33246 Epoxy Technology Inc. Billerica, MA	36701 Van Waters & Rogers Valley Field, Quebec, Canada
28520 Heyco Molded Products Kenilworth, NJ	31448 Army Safeguard Logistics Command Huntsville, AL	33292 Pioneer Sterilized Wiping Cloth Co. Portland, OR	37942 Mallory Capacitor Corp. Sub of Emhart Industries INpolis, IN
28932 Lumax Industrials, Inc Altoona, PA	31471 Gould Inc Semiconductor Div Santa Clara, CA	33297 NEC Electronics USA Inc. Electronic Arrays Inc. Div. Mountain View, CA	39003 Maxim Industries Middleboro, MA
29083 Monsanto Co. Santa Clara, CA	31522 Metal Masters Inc. Baldwin, MS	33919 Nortek Inc. Cranston, RI	4F434 Plastic Sales Los Angeles, CA
29604 Stackpole Components Co. Raleigh, NC	31746 Cannon Electric Woodbury, TN	34114 Oak Industries Rancho Bernardo, CA	40402 Roderstein Electronics Inc. Statesville, NC
29907 Omega Engineering Inc. Stamford, CT	31827 Budwig Ramona, CA	34263 CTS Electronics Corp. Brownsville, TX	42498 National Radio Melrose, MA
3D536 Aimco Inc. Seattle, WA	31918 ITT-Schadow Eden Prairie, MN	34333 Silicon General Inc. Garden Grove, CA	43543 Nytronics Inc.(Now 53342)
30035 Jolo Industries Inc. Garden Grove, CA	32293 Intersil Cupeertino, CA	34335 Advanced Micro Devices (AMD) Sunnyvale, CA	43744 Panasonic Industrial Co. San Antonio, TX
30045 Solid Power Corp. Farmingdale, NY	32539 Mura Corp. Westbury, Long Island, N.Y.	34359 MN Mining & Mfg. Co. Commercial Office Supply Div. Saint Paul, MN	43791 Datron Systems Wilkes Barre, PA
30146 Symbex Corp. Painesville, OH	32559 Bivar Santa Ana, CA	34371 Harris Corp. Harris Semiconductor Products Group Melbourne, FL	44655 Ohmite Mfg. Co. Skokie, IL
30148 AB Enterprise Inc. Ahoskie, NC	32719 Siltronics Santa Ana, CA	34576 Rockwell International Corp. Newport Beach, CA	47001 Lumberg Inc. Richmond, VA
30161 Aavid Engineering Inc. Laconia, NH	32767 Griffith Plastics Corp. Burlingame, CA	34641 Instrument Specialties Euleess, TX	47379 ISOCOM Campbell, CA
30315 Itron Corp. San Diego, CA	32879 Advanced Mechanical Components Northridge, CA	34649 Intel Corp. Santa Clara, CA	49569 IDT (International Development & Trade) Dallas, TX
30323 IL Tool Works Inc. Chicago, IL	32897 Murata Erie North America Inc. Carlisle Operations Carlisle, Pennsylvania	34802 Electromotive Inc. Kenilworth, NJ	49671 RCA Corp. New York, NY
30800 General Instrument Corp. Capacitor Div. Hicksville, NY	32997 Bourms Inc. Trimpot Div. Riverside, CA	34848 Hartwell Special Products Placentia, CA	49956 Raytheon Company Executive Offices Lexington, MA
30838 Fastec Chicago, ILL	33025 M/A ComOmni Spectra, Inc. (Replacing Omni Spectra) Microwave Subsystems Div. Tempe, AZ	35009 Renfrew Electric Co. Ltd. IRC Div. Toronto, Ontario, Canada	5D590 Mostek Corp. Replaced by: SGS Thompson Microelec- tronics
31019 Solid State Scientific Inc. Willow Grove, PA	33096 CO Crystal Corp. Loveland, CO	35986 Amrad Melrose Park, IL	5F520 Panel Components Corp. Santa Rosa, CA
31091 Alpha Industries Inc. Microelectronics Div. Hatfield, PA	33173 General Electric Co. Owensboro, KY	36665 Mitel Corp. Kanata, Ontario, Canada	5P575 Nobel Electronics Suffern, NY
31323 Metro Supply Company Sacramento, CA			5W664 NDK Div. of Nihon Dempa Kogyo LTD Lynchburg, VA

Federal Supply Codes for Manufacturers (cont)

5U802 Dennison Mfg. Co. Framingham, MA	51499 Amtron Corp. Boston, MA	52840 Western Digital Corp. Costa Mesa, CA	54937 DeYoung Mfg. Bellevue, WA
50088 SGS - Thomson Microelectronics Inc. Carrollton, TX	51506 Accurate Screw Machine Co. (ASMCO) Nutley, NJ	53021 Sangamo Weston Inc. (See 06141)	54590 RCA Corp. Electronic Components Div. Cherry Hill, NJ
50120 Eagle-Picher Industries Inc. Electronics Div. CO Springs, CO	51605 CODI Semiconductor Inc. Kenilworth, NJ	53036 Textool Co. Houston, TX	55026 American Gage & Machine Co. Simpson Electric Co. Div. Elgin, IL
50157 Midwest Components Inc. Muskegon, MS	51642 Centre Engineering Inc. State College, PA	53184 Xeiton Corp. Lathan, NY	55112 Plessey Capacitors Inc. (Now 60935)
50356 Teac Corp. of America Industrial Products Div Montebello, CA	51705 ICO/Rally Palo alto, CA	53217 Technical Wire Products Inc. Santa Barbara, CA	55261 LSI Computer Systems Inc. Melville, NY
50364 MMI, Inc.(Monolithic Memories Inc) Military Products Div. Santa Clara, CA	51791 Statek Corp. Orange, CA	53342 Opt Industries Inc. Phillipsburg, NJ	55285 Bercquist Co. Minneapolis, MN
50472 Metal Masters, Inc. City of Industry, CA	51984 NEC America Inc. Falls Church, VA	53673 Thompson CSF Components Corp. (Semiconductor Div) Conaga Park, CA	55322 Samtech Inc. New Albany, IN
50541 Hypertronics Corp. Hudson, MA	52063 Exar Integrated Systems Sunnyvale, CA	53718 Airmold/W. R. Grese & Co. Roanoke Rapids, NC	55408 STI-CO Industries Co Buffalo, NY
50558 Electronic Concepts, Inc. Eatontown, NJ	52072 Circuit Assembly Corp. Irvine, CA	53848 Standard Microsystems Hauppauge, NY	55464 Central Semiconductor Corp. Hauppauge, NY
50579 Litronix Inc. Cupertino, CA	52152 MN Mining & Mfg. Saint Paul, MN	53894 AHAM Inc. RanchoCA, CA	55557 Microwave Diode Corp. W.Stewartstown, NH
50891 Semiconductor Technology Stuart, FL	52333 API Electronics Haugpauge,Long Island,NY	53944 Glow-Lite Pauls Valley, OK	55566 R A F Electronic Hardware Inc. Seymour, CT
50934 Tran-Tec Corp Columbus, NE	52361 Communication Systems Piscataway, NJ	54178 Plasmetex Industries Inc. San Marcos, CA	55576 Synertek Santa Clara, CA
51167 Aries Electronics Inc. Frenchtown, NJ	52500 Amphenol, RF Operations Burlington, MA	54294 Shallcross Inc. Smithfield, NC	55680 Nichicon/America/Corp. Schaumburg, IL
51284 Mos Technology Norristown, PA	52525 Space-Lok Inc. Lerco Div. Burbank, CA	54453 Sullins Electronic Corp. San Marcos, CA	55943 D J Associates, Inc (Replaced Transcon Mfg.-24618) Fort Smith, AZ
51249 Heyman Mfg. Co. Cleveland, OH	52531 Hitachi Magnetics Edmore, MO	54473 Matsushita Electric Corp. (Panasonic) Secaucus, NJ	56282 Utek Systems Inc. Olathe, KS
51372 Verbatim Corp. Sunnyvale, CA	52745 Timco Los Angeles, CA	54492 Cinch Clamp Co., Inc. Santa Rosa, CA	56289 Sprague Electric Co. North Adams, MA
51398 MUPAC Corp. Brockton, MA	52763 Stettner-Electronics Inc. Chattanooga, TN	54583 TDK Garden City, NY	56365 Square D Co. Corporate Offices Palatine, IL
51406 Murata Erie, No. America Inc. (Also see 72982) Marietta, GA	52769 Sprague-Goodman Electronics Inc. Garden City Park, NY	54590 RCA Corp Distribution & Special Products Cherry Hill, NY	56375 WESCORP Div. Dal Industries Inc Mountain View, CA
	52771 Moniterm Corp. Amatrom Div. Santa Clara, CA	54869 Piher International Corp. Arlington Heights, IL	

Federal Supply Codes for Manufacturers (cont)

<p>56481 Shugart Associates Sub of Xerox Corp. Sunnyvale, CA</p>	<p>59610 Souriau Inc Valencia, CA</p>	<p>60911 Inmos Corp. CO Springs, CO</p>	<p>64537 KDI Electronics Whippany, NJ</p>
<p>56637 RCD Components Inc. Manchester, NH</p>	<p>59635 HV Component Associates Howell, NJ</p>	<p>60935 Westlake Capacitor Inc. Tantalum Div. Greencastle, IN</p>	<p>64782 Precision Control Mfg. Inc. Bellevue, WA</p>
<p>56708 Zilog Inc. Campbell, CA</p>	<p>59640 Supertex Inc. Sunnyvale, CA</p>	<p>60958 ACIC Intercomp Wire & Cable Div. Hayesville, NC</p>	<p>64834 West M G Co. San Francisco, CA</p>
<p>56856 Vamistor Corp. of TN Sevierville, TN</p>	<p>59660 Tusonix Inc. Tucson, AZ</p>	<p>61271 Fujitsu Microelectronics Inc San Jose, CA</p>	<p>64961 Electronic Hardware LTD North Hollywood, CA</p>
<p>56880 Magnetics Inc. Baltimore, MD</p>	<p>59730 Thomas and Betts Corp. IA City, IA</p>	<p>61394 SEEQ Technology Inc. San Jose, CA</p>	<p>65092 Sangamo Weston Inc. Weston Instruments Div. Newark, NJ</p>
<p>57026 Endicott Coil Co. Inc. Binghamton, NY</p>	<p>59831 Semtronics Corp. Watchung, NJ</p>	<p>61429 Fox Electronics Cape Coral, FL</p>	<p>65786 Cypress Semi San Jose, CA</p>
<p>57053 Gates Energy Products Denver, CO</p>	<p>61053: American Components Inc. an Insilco Co. RPC Div. Hayesville, NC</p>	<p>61529 Aromat Corp. New Providence, NJ</p>	<p>65940 Rohm Corp & Whatney Irvine, CA</p>
<p>57170 Cambridge Thermionic Cambridge, MA Replaced by: 71279 Interconnection Products Inc.</p>	<p>61611 Allen, Robert G. Inc. Van Nuys, CA</p>	<p>61752 IR-ONICS Inc Warwick, RI</p>	<p>65964 Evox Inc. Bannockburn, IL</p>
<p>57668 R-ohm Corp Irvine, CA</p>	<p>61850 Burgess Switch Co., Inc Northbrook, IL</p>	<p>61772 Integrated Device Technology Santa Clara, CA</p>	<p>66150 Entron Inc. Winslow Teltronics Div. Glendale, NY</p>
<p>57962 SGS - Thomson Microelectronics Inc Montgomeryville, PA</p>	<p>61095 AMD Enterprises, Inc. Roswell, GA</p>	<p>61802 Toshiba Houston, TX</p>	<p>66302 VLSI Technology Inc. San Jose, CA</p>
<p>58014 Hitachi Magnalock Corp. (Now 12581)</p>	<p>61403 SGS/ATES Semiconductor Corp. Indianapolis, IN</p>	<p>61857 SAN-O Industrial Corp. Bohemia, Long Island, NY</p>	<p>66419 Exel San Jose, CA</p>
<p>58104 Simco Atlanta, GA</p>	<p>61440 Micron Technology Inc. Boise, ID</p>	<p>61935 Schurter Inc. Petaluma, CA</p>	<p>66450 Dyna-Tech Electronics, Inc Walled Lake, MI</p>
<p>58364 BYCAP Inc. Chicago, IL</p>	<p>60046 Power Dynamics Inc West Orange, NJ</p>	<p>62351 Apple Rubber Lancaster, NY</p>	<p>66608 Bering Industries Freemont, CA</p>
<p>58451 Precision Lamp Cotat, CA</p>	<p>60197 Precicontact Inc. Langhorne, PA</p>	<p>62643 United Chemicon Rosemont, IL</p>	<p>66891 BKC International Electronics Lawrence, MA</p>
<p>58474 Superior Electric Co. Bristol, CT</p>	<p>60386 Squires Electronics Inc Cornelius, OR</p>	<p>62712 Seiko Instruments Torrance, CA</p>	<p>66958 SGS Semiconductor Corp. Phoenix, AZ</p>
<p>58614 Communications Instruments Inc. Fairview, NC</p>	<p>60395 Xicor Inc. Milpitas, CA</p>	<p>62793 Lear Siegler Inc. Energy Products Div. Santa Ana, CA</p>	<p>66967 Powerex Inc Auburn, NY</p>
<p>59124 KOA-Speer Electronics Inc. Bradford, PA</p>	<p>60399 Torin Engineered Blowers Div. of Clevepak Corp. Torrington, CT</p>	<p>63743 Ward Leonard Electric Co.Inc. Mount Vernon, NY</p>	<p>67183 Altera Santa Clara, CA</p>
<p>59422 Holmberg Electronics Irvine, CA</p>	<p>60496 Micrel Inc. Sunnyvale, CA</p>	<p>64154 Lamb Industries Portland, OR</p>	<p>68919 WIMA % Harry Levinson Co. Seattle, WA</p>
	<p>60705 Cera-Mite Corp. (formerly Sprague) Grafton, WI</p>	<p>64155 Linear Technology Milpitas, CA</p>	

Federal Supply Codes for Manufacturers (cont)

7F361 Richmond-Division of Dixico % Zellerbach Paper Co. Seattle, WA	71468 ITT Cannon Div. of ITT Fountain Valley, CA	73138 Beckman Industrial corp. Helipot Div. Fullerton, CA	75042 TRW Inc. IRC Fixed Resistors Philadelphia, PA
7F844 Moore Business Forms, Inc Seattle, WA	71482 General Instrument Corp. Clare Div. Chicago, IL	73168 Fenwal Inc. Ashland, MA	75297 Kester Solder Div. Litton Systems, Inc Des Plaines, IL
7G902 Textron Inc. Cancar Div. Rockford, IL	71590 Mepco/Centralab A North American Philips Co. Fort Dodge, IA	73293 Hughes Aircraft Co. Electron Dynamics Div. Torrance, CA	75376 Kurz-Kasch Inc. Dayton, OH
7J395 Universal Plastics Welshpool, WA	71707 Coto Corp. Providence, RI	73445 Amperex Electronic Corp. Ilicksville, NY	75378 CTS Knights Inc. Sandwich, IL
7J696 AMD Plastics East Lake, OH	71744 General Instrument Corp. Lamp Div/Worldwide Chicago, IL	73559 Carlingswitch Inc. Hartford, CT	75382 Kulka Electric Corp. (Now 83330) Mount Vernon, NY
7K354 Omni Spectra Inc Los Altos, CA	71785 TRW Inc. Cinch Connector Div. Elk Grove Village, IL	73586 Circle F Industries Trenton, NJ	75569 Performance Semiconductor Corp. Sunnyvale, CA
7Z884 ALPS Seattle, WA	71984 Dow Coming Corp. Midland, MI	73734 Federal Screw Products Inc. Chicago, IL	75915 Littelfuse Tracor (Formerly: Tracor-Littelfuse) Des Plaines, IL
7X634 Duracell USA Div. of Dart & Kraft Inc. Valdese, NC	72005 AMAX Specialty Metals Corp. Newark, NJ	73743 Fischer Special Mfg. Co. Cold Spring, KY	76854 Oak Switch Systems Inc. Crystal Lake, IL
70290 Almetal Universal Joint Co. Cleveland, OH	72136 Electro Motive Mfg. Corp. Florence, NC	73893 Microdot Mt. Clemens, MS	77122 TRW Assemblies & Fasteners Group Fastener Div. Moutainside, NJ
70485 Atlantic India Rubber Works Inc. Chicago, IL	72228 AMCA International Corp. Continental Screw Div. New Bedford, MA	73899 JFD Electronic Components Div. of Murata Erie Oceanside, NY	77342 AMF Inc. Potter & Brumfield Div. Princeton, IN
70563 Amperite Company Union City, NJ	72259 Nytronics Inc. New York, NY	73905 FL Industries Inc. San Jose, CA	77542 Ray-O-Vac Corp Madison, WI
70903 Cooper-Belden Corp. Geneva, IL	72619 Amperex Electronic Corp. Dialight Div. Brooklyn, NY	73949 Guardian Electric Mfg. Co. Chicago, IL	77638 General Instrument Corp. Rectifier Div. Brooklyn, NY
71002 Bimbach Co. Inc. Farmingdale, NY	72653 G C Electronics Co. Div. of Hydrometals Inc. Rockford, IL	74199 Quam Nichols Co. Chicago, IL	77900 Shakeproof Lock Washer Co. (Now 78189)
71034 Biley Electric Co. Erie, PA	72794 Dzus Fastner Co. Inc. West Islip, NY	74217 Radio Switch Co. Marlboro, NJ	77969 Rubbercraft Corp. of CA Ltd. Torrance, CA
71183 Westinghouse Electric Corp. Bryant Div. Bridgeport, CT	72928 Gulton Industries Inc. Gudeman Div. Chicago, IL	74306 Piezo Crystal Co. Div. of PPA Industries Inc. Carlisle, PA	78189 IL Tool Works Inc. Shakeproof Div. Elgin, IL
71279 Interconnection Products Inc. Formerly Midland-Ross Cambion Div. Santa Ana, CA	72962 Elastic Stop Nut Div. of Harrard Industries Union, NJ	74445 Holo-Krome Co. Elmwood, CT	78277 Sigma Instruments Inc. South Braintree, MA
71400 Bussman Manufacturing Div. McGraw-Edison Co. St. Louis, MO	72982 Erie Specialty Products, Inc Formerly: Murata Erie Erie, PA	74542 Hoyt Elect.Instr. Works Inc. Penacook, NH	78290 Struthers Dunn Inc. Pitman, NJ
71450 CTS Corp. Elkhart, IN		74840 IL Capacitor Inc. Lincolnwood, IL	78553 Eaton Corp. Engineered Fastener Div. Cleveland, OH

Federal Supply Codes for Manufacturers (cont)

78592 Stoeger Industries South Hackensack, NJ	81439 Therm-O-Disc Inc. Mansfield, OH	83315 Hubbell Corp. Mundelein, IL	87034 Illuminated Products Inc. (Now 76854)
79497 Western Rubber Co. Goshen, IN	81483 International Rectifier Corp. Los Angeles, CA	83330 Kulka Smith Inc. A North American Philips Co. Manasquan, NJ	87516 Standard Crystal KS City, KS
79727 C - W Industries Southampton, PA	81590 Korry Electronics Inc. Seattle, WA	83478 Rubbercraft Corp. of America West Haven, CT	88044 Aeronautical Standards Group Dept. of Navy & Air Force
79963 Zierick Mfg. Corp. Mount Kisco, NY	81741 Chicago Lock Co. Chicago, IL	83553 Associated Spring Barnes Group Gardena, CA	88219 G&NB Inc. Industrial Battery Div. Langhorne, PA
8C798 Ken-Tronics, Inc. Milan, IL	82227 Airpax Corp. Cheshire Div. Cheshire, CT	83740 Union Carbide Corp. Battery Products Div. Danbury, CT	88245 Winchester Electronics Litton Systems-Usecoc Div. Van Nuys, CA
8D528 Baumgartens Atlanta, GA	82240 Simmons Fastner Corp. Albany, NY	84171 Arco Electronics Commack, NY	88486 Triangle PWC Inc. Jewitt City, CT
8F330 Eaton Corp. Cutler Hammer Product Sales Office Mountain View, CA	82305 Palmer Electronics Corp. South Gate, CA	84411 American Shizuki TRW Capacitors Div. Ogallala, NE	88690 Essex Group Inc. Wire Assembly Div. Dearborn, MI
8T100 Tellabs Inc. Naperville, IL	82389 Switchcraft Inc. Sub of Raytheon Co. Chicago, IL	84613 FIC Corp. Rockville, MD	88786 Atlantic India Rubber Co. Goshen, IN
80009 Tektronix Beaverton, OR	82415 Airpax Corp Frederick Div. Frederick, MD	84682 Essex Group Inc. Peabody, MA	88978 Philips (Now Fluke) Mahwah, NJ
80031 Mepco/Electra Inc. Morristown, NJ	82872 Roanwell Corp. New York, NY	84830 Lee Spring Co. Inc Brooklyn, NY	89020 Amerace Corp. Buchanan Crimptool Products Div. Union, NJ
80032 Ford Aerospace & Communications Corp. Western Development Laboratories Div. Palo Alto, CA	82877 Rotron Inc. Custom Div. Woodstock, NY	85367 Bearing Distributing Co. San Francisco, CA	89265 Potter-Brumfield (See 77342)
80145 LFE Corp. Process Control Div. Clinton, OH	82879 ITT Royal Electric Div. Pawtucket, RI	85372 Bearing Sales Co. Los Angeles, CA	89462 Waldes Truarc, Inc. Long Island, NY
80183 Sprague Products (Now 56289)	83003 Varo Inc. Garland, TX	85480 W. H. Brady Co. Industrial Product Milwaukee, WI	89536 John Fluke Mfg. Co., Inc. Everett, WA
80294 Boums Instruments Inc. Riverside, CA	83014 Hartwell Corp. Placentia, CA	85840 Brady WII Co Industrial Products Div Milwaukee, WI	89597 Fredericks Co. Huntingdon Valley, PA
80583 Hammerlund Mfg. Co. Inc. Paramus, NJ	83055 Signalite Fuse Co. (Now 71744)	85932 Electro Film Inc. Valencia, CA	89709 Bunker Ramo-Eltra Corp. Amphenol Div. Broadview, IL
80640 Computer Products Inc. Stevens-Arnold Div. South Boston, MA	83058 TRW Assemblies & Fasteners Group Fasteners Div. Cambridge, MA	86577 Precision Metal Products Co. Peabody, MA	89730 General Electric Lamp Div. Newark, NJ
81073 Grayhill Inc. La Grange, IL	83259 Parker-Hannifin Corp. O-Seal Div. Culver City, CA	86684 Radio Corp. of America (Now 54590)	9R216 Data Composition Svc, Inc Laurel, MD
81312 Litton Systems Inc. Winchester Electronics Div. Watertown, CT	83298 Bendix Corp. Electric & Fluid Power Div. Eatonville, NJ	86928 Seastrom Mfg. Co. Inc. Glendale, CA	9S171 Port Plastics Tukwila, WA

Federal Supply Codes for Manufacturers (cont)

9W423 Amatom El Mont, CA	91934 Miller Electric Co. Woonsocket, RI	95573 Campion Laboratories Inc. Detroit, MI	98278 Malco A Microdot Co. South Pasadena, CA
90201 Mallory Capacitor Co. Sub of Emhart Industries Inc. Indianapolis, IN	91967 National Tel-Tronics Div. of electro Audio Dynamics Inc Meadville, PA	95712 Bendix Corp. Electrical Comp. Div. Franklin, IN	98291 Sealectro Corp. BICC Electronics Trumbull, CT
90215 Best Stamp & Mfg. Co. KS City, MO	91984 Maida Development Co. Hampton, VA	95987 Weckesser Co. Inc. (Now 85480)	98372 Royal Industries Inc. (Now 62793)
90303 Duracell Inc. Technical Sales & Marketing Bethel, CT	91985 Norwalk Valve Co. S. Norwalk, CT	96733 SFE Technologies San Fernando, CA	98388 Lear Siegler Inc. Accurate Products Div. San Deigo, CA
91094 Essex Group Inc. Suflex/IWP Div. Newmarket, NH	92218 Wakefield Corp., The Wakefield, ME	96853 Gulton Industries Inc. Measurement & Controls Div. Manchester, NH	98978 IERC (International Electronic Research Corp.) Burbank, CA
91247 IL Transformer Co. Chicago, IL	92527 VTC Inc. Bloomington, MN	96881 Thomson Industries Inc. Port WA, NY	99120 Plastic Capacitors Inc. Chicago, IL
91293 Johanson Mfg. Co. Boonton, NJ	92607 Tensolite Co. Div. of Carlisle Corp. Buchanan, NY	97464 Industrial Retainer Ring Irvington, NJ	99217 Bell Industries Inc. Elect. Distributor Div. Sunnyvale, CA
91462 Alpha Industries Inc. Logansport, IN	92914 Alpha Wire Corp. Elizabeth, NJ	97525 EECO Inc. Santa Ana, CA	99378 ATLEE of DE Inc. N. Andover, MA
91502 Associated Machine Santa Clara, CA	93332 Sylvania Electric Products Semiconductor Products Div. Woburn, MA	97540 Whitehall Electronics Corp. Master Mobile Mounts Div. Fort Meyers, FL	99392 Mepco/Electra Inc. Roxboro Div. Roxboro, NC
91506 Augat Alcoswitch N. Andover, MA	94144 Raytheon Co. Microwave & Power Tube Div. Quincy, MA	97913 Industrial Electronic Hardware Corp. NY, NY	99515 Electron Products Inc. Div. of American Capacitors Duarte, CA
91507 Froeliger Machine Tool Co. Stockton, CA	94222 Southco Inc. Concordville, PA	97945 Pennwalt Corp. SS White Industrial Products Piscataway, NJ	99779 Bunker Ramo- Eltra Corp. Barnes Div. Lansdown, PA
91637 Dale Electronics Inc. Columbus, NE	94988 Wagner Electric Corp. Sub of McGraw-Edison Co. Whippany, NJ	97966 CBS Electronic Div. Danvers, MA	99800 American Precision Industries Delevan Div. East Aurora, NY
91662 Elco Corp. A Gulf Western Mfg. Co. Connector Div. Huntingdon, PA	95146 Alco Electronic Products Inc. Switch Div. North Andover, MA	98094 Machlett Laboratories Inc. Santa Barbara, CA	99942 Mepco/Centralab A North American Philips Co. Milwaukee, WI
91737 ITT Cannon/Gremar (Now 08718)	95263 Leecraft Mfg. Co. Long Island City, NY	98159 Rubber-Teck Inc. Gardena, CA	
91802 Industrial Devices Inc. Edgewater, NJ	95275 Vitramon Inc. Bridgeport, CT		
91833 Keystone Electronics Corp. NY, NY	95303 RCA Corp. Receiving Tube Div. Cincinnati, OH		
91836 King's Electronics Co. Inc. Tuckahoe, NY	95348 Gordo's Corp. Bloomfield, NJ		
91929 Honeywell Inc. Micro Switch Div. Freeport, IL	95354 Methode Mfg. Corp. Rolling Meadows, IL		

TECHNICAL SERVICE CENTERS

U.S. Service Locations

California

Fluke Technical Center
16969 Von Karman Avenue
Suite 100
Irvine, CA 92714
Tel: (714) 863-9031

Fluke Technical Center
46610 Landing Parkway
Fremont, CA 94538
Tel: (415) 651-5112

Colorado

Fluke Technical Center
14180 East Evans Avenue
Aurora, CO 80014
Tel: (303) 695-1171

Florida

Fluke Technical Center
940 N. Fern Creek Avenue
Orlando, FL 32803
Tel: (407) 896-4881

Illinois

Fluke Technical Center
1150 W. Euclid Ave.
Palatine, IL 60067
Tel: (312) 705-0500

Maryland

Fluke Technical Center
5640 Fishers Lane
Rockville, MD 20852
Tel: (301) 770-1576

New Jersey

Fluke Technical Center
East 66 Midland Avenue
Paramus, NJ 07652-0930
Tel: (201) 599-9500

Texas

Fluke Technical Center
1801 Royal Lane, Suite 307
Dallas, TX 75229
Tel: (214) 869-2848

Washington

Fluke Technical Center
John Fluke Mfg. Co., Inc.
1420 75th St. S.W.
M/S 6-30
Everett, WA 98203
Tel: (206) 356-5560

International

Argentina

Coasin S.A.
Virrey del Pino 4071 DPTO E-65
1430 CAP FED
Buenos Aires
Tel: 54 1 522-5248

Australia

Philips Customer Support
Scientific and Industrial
23 Lakeside Drive
Tally Ho Technology Park
East Burwood
Victoria 3151

Australia

Philips Customer Support
Scientific & Industrial
25-27 Paul St. North
North Ryde N.S.W. 2113
Tel: 61 02 888 8222

Austria

Oesterreichische Philips Industrie
Unternehmensbereich Prof. Systeme
Triesterstrasse 66
Postfach 217
A-1101 Wein
Tel: 43 222-60101, x1388

Belgium

Philips & MBLE Associated S.A.
Scientific & Industrial Equip. Div
Service Department.
80 Rue des deux Gares B-1070
Brussels
Tel: 32 2 525 6111

Brazil

Hi-Tek Electronica Ltda.
Al. Amazonas 422, Alphaville
CEP 06400 Barueri
Sao Paulo
Tel: 55 11 421-5477

Canada

Fluke Electronics Canada Inc.
400 Britannia Rd. East, Unit #1
Mississauga
Ontario L4Z 1X9
Tel: 416-890-7600

Chile

Intronica Chile Ltda.
Casilla 16228
Santiago 9
Tel: 56 2 2321886, 2324308

China

Fluke International Corp.
P.O. Box 9085
Beijing
Tel: 86 01 512-3436

Colombia

Sistemas E Instrumentacion, Ltda.
Carrera 13, No. 37-43, Of. 401
Ap. Aereo 29583
Bogota DE
Tel: 57 232-4532

Denmark

Philips A/S
Technical Service I & E
Strandlodsvej 1A
PO Box 1919
DK-2300
Copenhagen S
Tel: 45 1 572222

Ecuador

Proteco Coasin Cia., Ltda.
P.O. Box 228-A
Ave. 12 de Octubre
2285 y Orellana
Quito
Tel: 593 2 529684

Egypt

Philips Egypt
10, Abdel Rahman el Rafei st.
el. Mohandessin
P.O. Box 242
Dokki Cairo
Tel: 20-2-490922

England

Philips Scientific
Test & Measuring Division
Colonial Way
Watford
Hertfordshire WD2 4TT
Tel: 44 923-40511

Finland

Oy Philips AB
Central Service
Sinikalliontie 1-3
P.O. Box 11
SF-02630 ESPOO
Tel: 358-0-52572

France

S.A. Philips Industrielle
et Commerciale,
Science et Industry
105 Rue de Paris Bp 62
93002 Bobigny, Cedex
Tel: 33-1-4942-8040

Germany (F.R.G.)

Philips GmbH
Service fuer FLUKE - Produkte
Department VSF
Oskar-Messter-Strasse 18
D-8045 Ismaning/Munich,
West Germany
Tel: 49 089 9605-239

Greece

Philips S.A. Hellenique
15, 25th March Street
177 78 Tavros
10210 Athens
Tel: 30 1 4894911

Hong Kong

Schmidt & Co (H.K.) Ltd.
18/FL., Great Eagle Centre
23 Harbour Road
Wanchai
Tel: 852 5 8330222

India

Hinditron Services Pvt. Ltd
1st Floor, 17-B,
Mahal Industrial Estate
Mahakali Road, Andheri East
Bombay 400 093
Tel: 91 22 6300043

Hinditron Services Pvt. Inc.
33/44A Raj Mahal Villas Extn.
8th Main Road
Bangalore 560 080
Tel: 91 812 363139

Hinditron Services Pvt. Ltd.

Field Service Center
Emerald Complex 1-7-264
5th Floor
114 Sarojini Devi Road
Secunderabad 500 003
Tel: 08 42-821117

Hindtron Services Pvt. Ltd.

15 Community Centre
Panchshila Park
New Delhi 110 017
Tel: 011-6433675

Indonesia

P.T. Lamda Triguna
P.O. Box 6/JATJG
Jakarta 13001
Tel: (021) 8195365

Israel

R.D.T. Electronics Engineering, Ltd.
P.O. Box 43137
Tel Aviv 61430
Tel: 972 3 483211

Italy

Philips S.p.A.
Sezione I&E / T&M
Viale Elvezia 2
2005 Monza
Tel: 39 39 3635342

Japan

John Fluke Mfg. Co., Inc.
Japan Branch
Sumitomo Higashi Shinbashi Bldg.
1-1-11 Hamamatsucho
Minato-ku
Tokyo 105
Tel: 81 3 434-0181

Korea

Myoung Corporation
Yeo Eui Do P.O. Box 14
Seoul 150
Tel: 82 2 784-9942

Malaysia

Mecomb Malaysia Sdn. Bhd.
P.O. Box 24
46700 Petaling Jaya
Selangor
Tel: 60 3 774-3422

Mexico

Mexel Servicios en Computacion
Instrumentacion y Perifericos
Blvd. Adolfo Lopez Mateos No. 163
Col. Mixcoac
Mexico D.F.
Tel: 52-5-563-5411

Netherlands

Philips Nederland
Test & Meetapparaten Div.
Postbus 115
5000 AC Tilburg
Tel: 31-13-352445

New Zealand

Philips Customer Support
Scientific & Industrial Division
2 Wagener Place
Mt. Albert
Auckland
Tel: 64 9 894-160

Norway

Morgenstjerne & Co. A/S
Konghellegate 3
P.O. Box 6688, Rodelokka
Oslo 5
Tel: 47 2 356110

Pakistan

International Operations (PAK) Ltd.
505 Muhammadi House
I.I. Chundrigar Road
P.O. Box 5323
Karachi
Tel: 92 21 221127, 239052

Peru

Importaciones & Representaciones
Electronicas S.A.
Avad Franklin D. Roosevelt 105
Lima 1
Tel: 51 14 288650

Philippines

Spark Radio & ElectronicS Inc.
Greenhills, P.O. Box 610
San Juan, Metro-Manila Zip 3113
Tel: 63-2-775192

Portugal

Decada Espectral
Equipmentos de Elec. e Cientificos
Av. Bomberos Voluntarios
Lote 102B, Miraflores/Alges
1495 Lisboa
Tel: 351 1 410-3420

Singapore

Rank O'Connor's Singapore (PTE) Ltd.
98 Pasir Panjang Road
Singapore 0511
Tel: 65 4737944

South Africa

South African Philips (Pty) Ltd.
Service Department
195 Main Rd
Martindale, Johannesburg, 2092
Tel: 27 11 470-5255

Spain

Philips Iberica S.A.E.
Depto. Tecnico Instrumentacion
c/Martinez Villergas 2
28027 Madrid
Tel: 34 1 4042200

Sweden

Philips Kistaindustrier AB
Customer Support
Borgarfjordsgatan 16
S-16493 Kista

Switzerland

Philips A.G.
Technischer Kundendienst
Postfach 670
Allmendstrasse 140
CH-8027 Zurich
Tel: 41 1 482211

Taiwan

Schmidt Electronics Corp.
5th Floor, Cathay Min Sheng
Commercial Building,
344 Min Sheng East Road
Taipei
Tel: 886 2501-3468

Thailand

Measuretronix Ltd.
2102/63 Ramkamhaeng Rd.
Bangkok 10240
Tel: 66 2 374-2516, 374-1632

Turkey

Turk Philips Ticaret A.S.
Inonu Caddesi 78/80
Posta Kutusu 504-Beyoglu
Istanbul
Tel: 90 1 1435891

Uruguay

Coasin Uruguay S.A
Casilla de Correo 1400
Libertad 2525
Montevideo
Tel: 598-2-789015

Venezuela

Coasin C.A.
Calle 9 Con Calle 4, Edif. Edinurbi
Apartado de Correos Nr-70-136
Los Ruices
Caracas 1070-A
Tel: 58 2 241-0309, 241-1248

West Germany

Philips GmbH
Department VSF
Service fuer FLUKE - Produkte
Oskar - Messter - Strasse 18
D-8045 Ismaning / Munich
Tel: 49 089 9605-260

Appendix 7A

Manual Status Information

INTRODUCTION

To identify the configuration of the pcb's used in your instrument, refer to the revision letter (marked in ink) on the component side of each pcb assembly. Table 7A-1 defines the assembly revision levels documented in this manual with an X.

These changes are documented on a supplemental change/errata sheet which, when applicable, is inserted at the front of the manual.

NEWER INSTRUMENTS

As changes and improvements are made to the instrument, they are identified by incrementing the revision letter marked on the affected pcb assembly.

Table 7A-1. Manual Status Information

Ref Or Option No.	Assembly Name	Fluke Part No.	PCB revision level documented in this manual.																																						
			-	A	B	C	D	E	F	G	H	J	K	L	M	N	P																								
A1	Main PCB Assembly	469395	●	●	●	●	+	+	+	+	+	+	+	X																											
A2	Display PCB Assembly	464479	●	●	●	+	X																																		
A3	Thermocouple PCB Assembly	464461	●	●	●	●	+	+	+	+	+	+	X																												
-002	Output PCB Assembly	466144	●	●	●	●	+	+	+	+	+	+	+	+	+	X																									
-004	IEEE-488 Interface PCB Assembly	778486	●	+	X																																				
-006	Limits PCB Assembly	466185	●	●	●	●	●	X																																	

X = PCB revision level documented in this manual.
 ● = These revision letters were never used in the instrument.
 - = No revision letter on the PCB.
 + = Revision not documented in this manual.

Section 7B

Thermocouple Reference Tables

Table 7B-1. Thermocouple Reference Tables

Temperature in °C. Reference Junction at 0°C											
°C	0	1	2	3	4	5	6	7	8	9	10
THERMOELECTRIC VOLTAGE IN ABSOLUTE MILLIVOLTS											
0	0.000	-0.000	-0.000	-0.001	-0.001	-0.001	-0.001	-0.001	-0.002	-0.002	-0.002
10	-0.002	-0.002	-0.002	-0.002	-0.002	-0.002	-0.002	-0.002	-0.003	-0.003	-0.003
20	-0.003	-0.003	-0.003	-0.003	-0.003	-0.002	-0.002	-0.002	-0.002	-0.002	-0.002
30	-0.002	-0.002	-0.002	-0.002	-0.002	-0.001	-0.001	-0.001	-0.001	-0.001	-0.000
40	-0.000	-0.000	-0.000	0.000	0.000	0.001	0.001	0.001	0.002	0.002	0.002
50	0.002	0.003	0.003	0.003	0.004	0.004	0.004	0.005	0.005	0.006	0.006
60	0.006	0.007	0.007	0.008	0.008	0.009	0.009	0.010	0.010	0.011	0.011
70	0.011	0.012	0.012	0.013	0.014	0.014	0.015	0.015	0.016	0.017	0.017
80	0.017	0.018	0.019	0.020	0.020	0.021	0.022	0.022	0.023	0.024	0.025
90	0.025	0.026	0.026	0.027	0.028	0.029	0.030	0.031	0.031	0.032	0.033
Temperature in °F. Reference Junction at 32°F											
F	0	1	2	3	4	5	6	7	8	9	10
THERMOELECTRIC VOLTAGE IN ABSOLUTE MILLIVOLTS											
0	0.006	0.006	0.006	0.006	0.005	0.005	0.005	0.005	0.004	0.004	0.004
10	0.004	0.004	0.003	0.003	0.003	0.003	0.003	0.002	0.002	0.002	0.002
20	0.002	0.002	0.002	0.001	0.001	0.001	0.001	0.001	0.001	0.000	0.000
30	0.000	0.000	0.000	-0.000	-0.000	-0.000	-0.001	-0.001	-0.001	-0.001	-0.001
40	-0.001	-0.001	-0.001	-0.001	-0.001	-0.001	-0.002	-0.002	-0.002	-0.002	-0.002
50	-0.002	-0.002	-0.002	-0.002	-0.002	-0.002	-0.002	-0.002	-0.002	-0.002	-0.002
60	-0.002	-0.002	-0.002	-0.003	-0.003	-0.003	-0.003	-0.003	-0.003	-0.003	-0.003
70	-0.003	-0.003	-0.003	-0.003	-0.003	-0.003	-0.003	-0.002	-0.002	-0.002	-0.002
80	-0.002	-0.002	-0.002	-0.002	-0.002	-0.002	-0.002	-0.002	-0.002	-0.002	-0.002
90	-0.002	-0.002	-0.002	-0.002	-0.002	-0.001	-0.001	-0.001	-0.001	-0.001	-0.001
100	-0.001	-0.001	-0.001	-0.001	-0.000	-0.000	-0.000	-0.000	0.000	0.000	0.000
110	0.000	0.000	0.001	0.001	0.001	0.001	0.001	0.001	0.002	0.002	0.002
120	0.002	0.002	0.002	0.002	0.003	0.003	0.003	0.003	0.003	0.004	0.004
130	0.004	0.004	0.004	0.005	0.005	0.005	0.005	0.005	0.006	0.006	0.006
140	0.006	0.006	0.007	0.007	0.007	0.007	0.008	0.008	0.008	0.009	0.009

**TYPE
B**
Platinum -6% Rhodium
vs
Platinum -30% Rhodium

Table 7B-1. Thermocouple Reference Tables (cont)

Temperature in °F. Reference Junction at 32 °F										
°F	0°	1°	2°	3°	4°	5°	6°	7°	8°	9°
THERMOELECTRIC VOLTAGE IN ABSOLUTE MILLIVOLTS										
0°	-.234	-.227	-.220	-.213	-.206	-.198	-.191	-.184	-.177	-.169
10°	-.162	-.155	-.148	-.140	-.133	-.126	-.118	-.111	-.104	-.096
20°	-.089	-.082	-.074	-.067	-.060	-.052	-.045	-.037	-.030	-.023
30°	-.015	-.008	.000	.007	.014	.022	.029	.037	.044	.052
40°	.059	.067	.074	.082	.089	.097	.104	.112	.120	.127
50°	.135	.142	.150	.157	.165	.173	.180	.188	.196	.203
60°	.211	.218	.226	.234	.241	.249	.257	.264	.272	.280
70°	.288	.295	.303	.311	.319	.326	.334	.342	.350	.357
80°	.365	.373	.381	.389	.396	.404	.412	.420	.428	.436
90°	.443	.451	.459	.467	.475	.483	.491	.499	.506	.514

Temperature in °C. Reference Junction at 0°C											
°C	0	1	2	3	4	5	6	7	8	9	10
THERMOELECTRIC VOLTAGE IN ABSOLUTE MILLIVOLTS											
-40	-2.254	-2.308	-2.362	-2.416	-2.469	-2.522	-2.575	-2.628	-2.681	-2.734	-2.787
-30	-1.709	-1.764	-1.819	-1.874	-1.929	-1.983	-2.038	-2.092	-2.146	-2.200	-2.254
-20	-1.151	-1.208	-1.264	-1.320	-1.376	-1.432	-1.487	-1.543	-1.599	-1.654	-1.709
-10	-0.581	-0.639	-0.696	-0.754	-0.811	-0.868	-0.925	-0.982	-1.038	-1.095	-1.151
0	0.000	-0.059	-0.117	-0.176	-0.234	-0.292	-0.350	-0.408	-0.466	-0.524	-0.581
0	0.000	0.059	0.118	0.176	0.235	0.295	0.354	0.413	0.472	0.532	0.591
10	0.591	0.651	0.711	0.770	0.830	0.890	0.950	1.011	1.071	1.131	1.192
20	1.192	1.252	1.313	1.373	1.434	1.495	1.556	1.617	1.678	1.739	1.801
30	1.801	1.862	1.924	1.985	2.047	2.109	2.171	2.233	2.295	2.357	2.419
40	2.419	2.482	2.544	2.607	2.669	2.732	2.795	2.858	2.921	2.984	3.047
50	3.047	3.110	3.173	3.237	3.300	3.364	3.428	3.491	3.555	3.619	3.683
60	3.683	3.748	3.812	3.876	3.941	4.005	4.070	4.134	4.199	4.264	4.329
70	4.329	4.394	4.459	4.524	4.590	4.655	4.720	4.786	4.852	4.917	4.983
80	4.983	5.049	5.115	5.181	5.247	5.314	5.380	5.446	5.513	5.579	5.646
90	5.646	5.713	5.780	5.846	5.913	5.981	6.048	6.115	6.182	6.250	6.317

**TYPE
C***
Tungsten -5% Rhenium
vs
Tungsten -26% Rhenium

**TYPE
E**
Nickel - Chromium
vs
Copper - Nickel

*Not an ANSI Standard

Table 7B-1. Thermocouple Reference Tables (cont)

Temperature in °F. Reference Junction at 32°F											
°F	0	1	2	3	4	5	6	7	8	9	10
THERMOELECTRIC VOLTAGE IN ABSOLUTE MILLIVOLTS											
0	-1.026	-0.994	-0.963	-0.931	-0.900	-0.868	-0.836	-0.805	-0.773	-0.741	-0.709
10	-0.709	-0.677	-0.645	-0.613	-0.581	-0.549	-0.517	-0.485	-0.453	-0.421	-0.389
20	-0.389	-0.357	-0.324	-0.292	-0.260	-0.227	-0.195	-0.163	-0.130	-0.098	-0.065
30	-0.065	-0.033	0.000	0.033	0.065	0.098	0.131	0.163	0.196	0.229	0.262
40	0.262	0.295	0.327	0.360	0.393	0.426	0.459	0.492	0.525	0.558	0.591
50	0.591	0.624	0.658	0.691	0.724	0.757	0.790	0.824	0.857	0.890	0.924
60	0.924	0.957	0.990	1.024	1.057	1.091	1.124	1.158	1.192	1.225	1.259
70	1.259	1.292	1.326	1.360	1.394	1.427	1.461	1.495	1.529	1.563	1.597
80	1.597	1.631	1.665	1.699	1.733	1.767	1.801	1.835	1.869	1.903	1.937
90	1.937	1.972	2.006	2.040	2.075	2.109	2.143	2.178	2.212	2.247	2.281
100	2.281	2.316	2.350	2.385	2.419	2.454	2.489	2.523	2.558	2.593	2.627
110	2.627	2.662	2.697	2.732	2.767	2.802	2.837	2.872	2.907	2.942	2.977
120	2.977	3.012	3.047	3.082	3.117	3.152	3.187	3.222	3.257	3.293	3.329
130	3.329	3.364	3.399	3.435	3.470	3.506	3.541	3.577	3.612	3.648	3.683
140	3.683	3.719	3.755	3.790	3.826	3.862	3.898	3.933	3.969	4.005	4.041

Temperature in °C. Reference Junction at 0°C											
°C	0	1	2	3	4	5	6	7	8	9	10
THERMOELECTRIC VOLTAGE IN ABSOLUTE MILLIVOLTS											
-40	-1.960	-2.008	-2.055	-2.102	-2.150	-2.197	-2.244	-2.291	-2.338	-2.384	-2.431
-30	-1.481	-1.530	-1.578	-1.626	-1.674	-1.722	-1.770	-1.818	-1.865	-1.913	-1.960
-20	-0.995	-1.044	-1.093	-1.141	-1.190	-1.239	-1.288	-1.336	-1.385	-1.433	-1.481
-10	-0.501	-0.550	-0.600	-0.650	-0.699	-0.748	-0.798	-0.847	-0.896	-0.945	-0.995
0	0.000	-0.050	-0.101	-0.151	-0.201	-0.251	-0.301	-0.351	-0.401	-0.451	-0.501
10	0.507	0.558	0.609	0.660	0.711	0.762	0.813	0.865	0.916	0.967	1.019
20	1.019	1.070	1.122	1.174	1.225	1.277	1.329	1.381	1.432	1.484	1.536
30	1.536	1.588	1.640	1.693	1.745	1.797	1.849	1.901	1.954	2.006	2.058
40	2.058	2.111	2.163	2.216	2.268	2.321	2.374	2.426	2.479	2.532	2.585
50	2.585	2.638	2.691	2.743	2.796	2.849	2.902	2.956	3.009	3.062	3.115
60	3.115	3.168	3.221	3.275	3.328	3.381	3.435	3.488	3.542	3.595	3.649
70	3.649	3.702	3.756	3.809	3.863	3.917	3.971	4.024	4.078	4.132	4.186
80	4.186	4.239	4.293	4.347	4.401	4.455	4.509	4.563	4.617	4.671	4.725
90	4.725	4.780	4.834	4.888	4.942	4.996	5.050	5.105	5.159	5.213	5.268

Temperature in °F. Reference Junction at 32°F											
°F	0	1	2	3	4	5	6	7	8	9	10
THERMOELECTRIC VOLTAGE IN ABSOLUTE MILLIVOLTS											
0	-0.885	-0.858	-0.831	-0.803	-0.776	-0.748	-0.721	-0.694	-0.666	-0.639	-0.611
10	-0.611	-0.583	-0.556	-0.528	-0.501	-0.473	-0.445	-0.418	-0.390	-0.362	-0.334
20	-0.334	-0.307	-0.279	-0.251	-0.223	-0.195	-0.168	-0.140	-0.112	-0.084	-0.056
30	-0.056	-0.028	0.000	0.028	0.056	0.084	0.112	0.140	0.168	0.196	0.224
40	0.224	0.253	0.281	0.309	0.337	0.365	0.394	0.422	0.450	0.478	0.507
50	0.507	0.535	0.563	0.592	0.620	0.648	0.677	0.705	0.734	0.762	0.791
60	0.791	0.819	0.848	0.876	0.905	0.933	0.962	0.990	1.019	1.048	1.076
70	1.076	1.105	1.134	1.162	1.191	1.220	1.248	1.277	1.306	1.335	1.363
80	1.363	1.392	1.421	1.450	1.479	1.507	1.536	1.565	1.594	1.623	1.652
90	1.652	1.681	1.710	1.739	1.768	1.797	1.826	1.855	1.884	1.913	1.942
100	1.942	1.971	2.000	2.029	2.058	2.088	2.117	2.146	2.175	2.204	2.233
110	2.233	2.263	2.292	2.321	2.350	2.380	2.409	2.438	2.467	2.497	2.526
120	2.526	2.555	2.585	2.614	2.644	2.673	2.702	2.732	2.761	2.791	2.820
130	2.820	2.849	2.879	2.908	2.938	2.967	2.997	3.026	3.056	3.085	3.115
140	3.115	3.145	3.174	3.204	3.233	3.263	3.293	3.322	3.352	3.381	3.411

**TYPE
E**
Nickel - Chromium
vs
Copper - Nickel

**TYPE
J**
Iron
vs
Copper - Nickel

Table 7B-1. Thermocouple Reference Tables (cont)

Temperature in °C. Reference Junction at 0°C											
°C	0	1	2	3	4	5	6	7	8	9	10
THERMOELECTRIC VOLTAGE IN ABSOLUTE MILLIVOLTS											
0	0.00	0.05	0.10	0.16	0.21	0.26	0.31	0.36	0.42	0.47	0.52
10	0.52	0.57	0.63	0.68	0.73	0.78	0.84	0.89	0.94	1.00	1.05
20	1.05	1.10	1.16	1.21	1.26	1.31	1.37	1.42	1.47	1.53	1.58
30	1.58	1.63	1.69	1.74	1.79	1.84	1.90	1.95	2.00	2.06	2.11
40	2.11	2.16	2.22	2.27	2.33	2.38	2.43	2.49	2.54	2.60	2.65
50	2.65	2.70	2.76	2.81	2.87	2.92	2.97	3.03	3.08	3.14	3.19
60	3.19	3.24	3.30	3.35	3.41	3.46	3.51	3.57	3.62	3.68	3.73
70	3.73	3.78	3.84	3.89	3.95	4.00	4.05	4.11	4.16	4.22	4.27
80	4.27	4.32	4.38	4.43	4.49	4.54	4.60	4.65	4.71	4.77	4.82
90	4.82	4.87	4.93	4.98	5.04	5.09	5.15	5.20	5.26	5.32	5.37
*European Standard											
Temperature in °C. Reference Junction at 0°C											
°C	0	1	2	3	4	5	6	7	8	9	10
THERMOELECTRIC VOLTAGE IN ABSOLUTE MILLIVOLTS											
-40	-1.527	-1.563	-1.600	-1.636	-1.673	-1.709	-1.745	-1.781	-1.817	-1.853	-1.889
-30	-1.156	-1.193	-1.231	-1.268	-1.305	-1.342	-1.379	-1.416	-1.453	-1.490	-1.527
-20	-0.777	-0.816	-0.854	-0.892	-0.930	-0.968	-1.005	-1.043	-1.081	-1.118	-1.156
-10	-0.392	-0.431	-0.469	-0.508	-0.547	-0.585	-0.624	-0.662	-0.701	-0.739	-0.777
0	0.000	-0.039	-0.079	-0.118	-0.157	-0.197	-0.236	-0.275	-0.314	-0.353	-0.392
0	0.000	0.039	0.079	0.119	0.158	0.198	0.238	0.277	0.317	0.357	0.397
10	0.397	0.437	0.477	0.517	0.557	0.597	0.637	0.677	0.718	0.758	0.798
20	0.798	0.838	0.879	0.919	0.960	1.000	1.041	1.081	1.122	1.162	1.203
30	1.203	1.244	1.285	1.325	1.366	1.407	1.448	1.489	1.529	1.570	1.611
40	1.611	1.652	1.693	1.734	1.776	1.817	1.858	1.899	1.940	1.981	2.022
50	2.022	2.064	2.105	2.146	2.188	2.229	2.270	2.312	2.353	2.394	2.436
60	2.436	2.477	2.519	2.560	2.601	2.643	2.684	2.726	2.767	2.809	2.850
70	2.850	2.892	2.933	2.975	3.016	3.058	3.100	3.141	3.183	3.224	3.266
80	3.266	3.307	3.349	3.390	3.432	3.473	3.515	3.556	3.598	3.639	3.681
90	3.681	3.722	3.764	3.805	3.847	3.888	3.930	3.971	4.012	4.054	4.095
Temperature in °F. Reference Junction at 32°F											
°F	0	1	2	3	4	5	6	7	8	9	10
THERMOELECTRIC VOLTAGE IN ABSOLUTE MILLIVOLTS											
0	-0.692	-0.671	-0.650	-0.628	-0.607	-0.585	-0.564	-0.543	-0.521	-0.500	-0.478
10	-0.478	-0.457	-0.435	-0.413	-0.392	-0.370	-0.349	-0.327	-0.305	-0.284	-0.262
20	-0.262	-0.240	-0.218	-0.197	-0.175	-0.153	-0.131	-0.109	-0.088	-0.066	-0.044
30	-0.044	-0.022	0.000	0.022	0.044	0.066	0.088	0.110	0.132	0.154	0.176
40	0.176	0.198	0.220	0.242	0.264	0.286	0.308	0.331	0.353	0.375	0.397
50	0.397	0.419	0.441	0.464	0.486	0.508	0.530	0.553	0.575	0.597	0.619
60	0.619	0.642	0.664	0.686	0.709	0.731	0.753	0.776	0.798	0.821	0.843
70	0.843	0.865	0.888	0.910	0.933	0.955	0.978	1.000	1.023	1.045	1.068
80	1.068	1.090	1.113	1.135	1.158	1.181	1.203	1.226	1.248	1.271	1.294
90	1.294	1.316	1.339	1.362	1.384	1.407	1.430	1.452	1.475	1.498	1.520
100	1.520	1.543	1.566	1.589	1.611	1.634	1.657	1.680	1.703	1.725	1.748
110	1.748	1.771	1.794	1.817	1.839	1.862	1.885	1.908	1.931	1.954	1.977
120	1.977	2.000	2.022	2.045	2.068	2.091	2.114	2.137	2.160	2.183	2.206
130	2.206	2.229	2.252	2.275	2.298	2.321	2.344	2.367	2.390	2.413	2.436
140	2.436	2.459	2.482	2.505	2.528	2.551	2.574	2.597	2.620	2.643	2.666

**TYPE
JDIN***
Iron
vs
Copper - Nickel

**TYPE
K**
Nickel - Chromium
vs
Nickel - Aluminum

Table 7B-1. Thermocouple Reference Tables (cont)

Temperature in °C. Reference Junction at 0°C											
C	0	1	2	3	4	5	6	7	8	9	10
THERMOELECTRIC VOLTAGE IN ABSOLUTE MILLIVOLTS											
0	0.000	0.005	0.011	0.016	0.021	0.027	0.032	0.038	0.043	0.049	0.054
10	0.054	0.060	0.065	0.071	0.077	0.082	0.088	0.094	0.100	0.105	0.111
20	0.111	0.117	0.123	0.129	0.135	0.141	0.147	0.152	0.158	0.165	0.171
30	0.171	0.177	0.183	0.189	0.195	0.201	0.207	0.214	0.220	0.226	0.232
40	0.232	0.239	0.245	0.251	0.258	0.264	0.271	0.277	0.283	0.290	0.296
50	0.296	0.303	0.310	0.316	0.323	0.329	0.336	0.343	0.349	0.356	0.363
60	0.363	0.369	0.376	0.383	0.390	0.397	0.403	0.410	0.417	0.424	0.431
70	0.431	0.438	0.445	0.452	0.459	0.466	0.473	0.480	0.487	0.494	0.501
80	0.501	0.508	0.515	0.523	0.530	0.537	0.544	0.552	0.559	0.566	0.573
90	0.573	0.581	0.588	0.595	0.603	0.610	0.617	0.625	0.632	0.640	0.647

Temperature in °F. Reference Junction at 32°F											
F	0	1	2	3	4	5	6	7	8	9	10
THERMOELECTRIC VOLTAGE IN ABSOLUTE MILLIVOLTS											
0	-0.089	-0.087	-0.084	-0.082	-0.079	-0.076	-0.073	-0.071	-0.068	-0.065	-0.063
10	-0.063	-0.060	-0.057	-0.054	-0.051	-0.049	-0.046	-0.043	-0.040	-0.037	-0.035
20	-0.035	-0.032	-0.029	-0.026	-0.023	-0.020	-0.017	-0.015	-0.012	-0.009	-0.006
30	-0.006	-0.003	0.000	0.003	0.006	0.009	0.012	0.015	0.018	0.021	0.024
40	0.024	0.027	0.030	0.033	0.036	0.039	0.042	0.045	0.048	0.051	0.054
50	0.054	0.057	0.060	0.064	0.067	0.070	0.073	0.076	0.079	0.082	0.086
60	0.086	0.089	0.092	0.095	0.098	0.101	0.105	0.108	0.111	0.114	0.118
70	0.118	0.121	0.124	0.127	0.131	0.134	0.137	0.141	0.144	0.147	0.150
80	0.150	0.154	0.157	0.161	0.164	0.167	0.171	0.174	0.177	0.181	0.184
90	0.184	0.188	0.191	0.194	0.198	0.201	0.205	0.208	0.212	0.215	0.218
100	0.218	0.222	0.225	0.229	0.232	0.236	0.239	0.243	0.246	0.250	0.253
110	0.253	0.257	0.261	0.264	0.268	0.271	0.275	0.278	0.282	0.286	0.289
120	0.289	0.293	0.296	0.300	0.304	0.307	0.311	0.315	0.318	0.322	0.326
130	0.326	0.329	0.333	0.337	0.340	0.344	0.348	0.351	0.355	0.359	0.363
140	0.363	0.366	0.370	0.374	0.378	0.381	0.385	0.389	0.393	0.397	0.400

Temperature in °C. Reference Junction at 0°C											
C	0	1	2	3	4	5	6	7	8	9	10
THERMOELECTRIC VOLTAGE IN ABSOLUTE MILLIVOLTS											
0	0.000	0.005	0.011	0.016	0.022	0.027	0.033	0.038	0.044	0.050	0.055
10	0.055	0.061	0.067	0.072	0.078	0.084	0.090	0.095	0.101	0.107	0.113
20	0.113	0.119	0.125	0.131	0.137	0.142	0.148	0.154	0.161	0.167	0.173
30	0.173	0.179	0.185	0.191	0.197	0.203	0.210	0.216	0.222	0.228	0.235
40	0.235	0.241	0.247	0.254	0.260	0.266	0.273	0.279	0.286	0.292	0.299
50	0.299	0.305	0.312	0.318	0.325	0.331	0.338	0.345	0.351	0.358	0.365
60	0.365	0.371	0.378	0.385	0.391	0.398	0.405	0.412	0.419	0.425	0.432
70	0.432	0.439	0.446	0.453	0.460	0.467	0.474	0.481	0.488	0.495	0.502
80	0.502	0.509	0.516	0.523	0.530	0.537	0.544	0.551	0.558	0.566	0.573
90	0.573	0.580	0.587	0.594	0.602	0.609	0.616	0.623	0.631	0.638	0.645
100	0.645	0.653	0.660	0.667	0.675	0.682	0.690	0.697	0.704	0.712	0.719
110	0.719	0.727	0.734	0.742	0.749	0.757	0.764	0.772	0.780	0.787	0.795
120	0.795	0.802	0.810	0.818	0.825	0.833	0.841	0.848	0.856	0.864	0.872
130	0.872	0.879	0.887	0.895	0.903	0.910	0.918	0.926	0.934	0.942	0.950
140	0.950	0.957	0.965	0.973	0.981	0.989	0.997	1.005	1.013	1.021	1.029

**TYPE
R
Platinum
vs
Platinum -13% Rhodium**

**TYPE
S
Platinum
vs
Platinum -10% Rhodium**

Table 7B-1. Thermocouple Reference Tables (cont)

Temperature in °F. Reference Junction at 32°F											
°F	0	1	2	3	4	5	6	7	8	9	10
THERMOELECTRIC VOLTAGE IN ABSOLUTE MILLIVOLTS											
0	-0.092	-0.089	-0.086	-0.084	-0.081	-0.078	-0.075	-0.073	-0.070	-0.067	-0.064
10	-0.064	-0.061	-0.058	-0.056	-0.053	-0.050	-0.047	-0.044	-0.041	-0.038	-0.035
20	-0.035	-0.033	-0.030	-0.027	-0.024	-0.021	-0.018	-0.015	-0.012	-0.009	-0.006
30	-0.006	-0.003	0.000	0.003	0.006	0.009	0.012	0.015	0.018	0.021	0.024
40	0.024	0.027	0.030	0.033	0.037	0.040	0.043	0.046	0.049	0.052	0.055
50	0.055	0.058	0.062	0.065	0.068	0.071	0.074	0.077	0.081	0.084	0.087
60	0.087	0.090	0.093	0.097	0.100	0.103	0.106	0.110	0.113	0.116	0.119
70	0.119	0.123	0.126	0.129	0.133	0.136	0.139	0.142	0.146	0.149	0.152
80	0.152	0.156	0.159	0.163	0.166	0.169	0.173	0.176	0.179	0.183	0.186
90	0.186	0.190	0.193	0.197	0.200	0.203	0.207	0.210	0.214	0.217	0.221
100	0.221	0.224	0.228	0.231	0.235	0.238	0.242	0.245	0.249	0.252	0.256
110	0.256	0.259	0.263	0.266	0.270	0.274	0.277	0.281	0.284	0.288	0.291
120	0.291	0.295	0.299	0.302	0.306	0.309	0.313	0.317	0.320	0.324	0.328
130	0.328	0.331	0.335	0.339	0.342	0.346	0.350	0.353	0.357	0.361	0.365
140	0.365	0.368	0.372	0.376	0.379	0.383	0.387	0.391	0.394	0.398	0.402

Temperature in °C. Reference Junction at 0°C											
°C	0	1	2	3	4	5	6	7	8	9	10
THERMOELECTRIC VOLTAGE IN ABSOLUTE MILLIVOLTS											
-40	-1.475	-1.510	-1.544	-1.579	-1.614	-1.648	-1.682	-1.717	-1.751	-1.785	-1.819
-30	-1.121	-1.157	-1.192	-1.228	-1.263	-1.299	-1.334	-1.370	-1.405	-1.440	-1.475
-20	0.757	0.794	0.830	0.867	0.903	0.940	0.976	1.013	1.049	1.085	1.121
-10	0.383	0.421	0.458	0.496	0.534	0.571	0.608	0.646	0.683	0.720	0.757
0	0.000	0.039	0.077	0.116	0.154	0.193	0.231	0.269	0.307	0.345	0.383
0	0.000	0.039	0.078	0.117	0.156	0.195	0.234	0.273	0.312	0.351	0.391
10	0.391	0.430	0.470	0.510	0.549	0.589	0.629	0.669	0.709	0.749	0.789
20	0.789	0.830	0.870	0.911	0.951	0.992	1.032	1.073	1.114	1.155	1.196
30	1.196	1.237	1.279	1.320	1.361	1.403	1.444	1.486	1.528	1.569	1.611
40	1.611	1.633	1.695	1.738	1.780	1.822	1.865	1.907	1.950	1.992	2.035
50	2.035	2.078	2.121	2.164	2.207	2.250	2.294	2.337	2.380	2.424	2.467
60	2.467	2.511	2.555	2.599	2.643	2.687	2.731	2.775	2.819	2.864	2.908
70	2.908	2.953	2.997	3.042	3.087	3.131	3.176	3.221	3.266	3.312	3.357
80	3.357	3.402	3.447	3.493	3.538	3.584	3.630	3.676	3.721	3.767	3.813
90	3.813	3.859	3.906	3.952	3.998	4.044	4.091	4.137	4.184	4.231	4.277

Temperature in °F. Reference Junction at 32°F											
°F	0	1	2	3	4	5	6	7	8	9	10
THERMOELECTRIC VOLTAGE IN ABSOLUTE MILLIVOLTS											
0	-0.674	-0.654	-0.633	-0.613	-0.592	-0.571	-0.550	-0.529	-0.509	-0.488	-0.467
10	-0.467	-0.446	-0.425	-0.404	-0.383	-0.362	-0.341	-0.320	-0.299	-0.277	-0.256
20	-0.256	-0.235	-0.214	-0.193	-0.171	-0.150	-0.129	-0.107	-0.086	-0.064	-0.043
30	-0.043	-0.022	0.000	0.022	0.043	0.065	0.086	0.108	0.130	0.151	0.173
40	0.173	0.195	0.216	0.238	0.260	0.282	0.303	0.325	0.347	0.369	0.391
50	0.391	0.413	0.435	0.457	0.479	0.501	0.523	0.545	0.567	0.589	0.611
60	0.611	0.634	0.656	0.678	0.699	0.722	0.745	0.767	0.789	0.812	0.834
70	0.834	0.857	0.879	0.902	0.924	0.947	0.969	0.992	1.014	1.037	1.060
80	1.060	1.082	1.105	1.128	1.151	1.173	1.196	1.219	1.242	1.265	1.288
90	1.288	1.311	1.334	1.357	1.380	1.403	1.426	1.449	1.472	1.495	1.518
100	1.518	1.542	1.565	1.588	1.611	1.635	1.658	1.681	1.705	1.728	1.752
110	1.752	1.775	1.799	1.822	1.846	1.869	1.893	1.917	1.940	1.964	1.988
120	1.988	2.011	2.035	2.059	2.083	2.107	2.131	2.154	2.178	2.202	2.226
130	2.226	2.250	2.274	2.298	2.322	2.347	2.371	2.395	2.419	2.443	2.467
140	2.467	2.492	2.516	2.540	2.565	2.589	2.613	2.638	2.662	2.687	2.711

**TYPE
S
Platinum
vs
Platinum -10% Rhodium**

**TYPE
T
Copper
vs
Copper - Nickel**

Table 7B-1. Thermocouple Reference Tables (cont)

Temperature in °C. Reference Junction at 0°C											
°C	0	1	2	3	4	5	6	7	8	9	10
THERMOELECTRIC VOLTAGE IN ABSOLUTE MILLIVOLTS											
0	0.00	0.04	0.08	0.12	0.16	0.20	0.24	0.28	0.32	0.36	0.40
10	0.40	0.44	0.48	0.52	0.56	0.60	0.64	0.68	0.72	0.76	0.80
20	0.80	0.84	0.88	0.92	0.96	1.00	1.05	1.09	1.13	1.17	1.21
30	1.21	1.25	1.29	1.34	1.38	1.42	1.46	1.50	1.55	1.59	1.63
40	1.63	1.67	1.71	1.76	1.80	1.84	1.88	1.92	1.97	2.01	2.05
50	2.05	2.09	2.14	2.18	2.22	2.26	2.31	2.35	2.39	2.44	2.48
60	2.48	2.52	2.57	2.61	2.65	2.69	2.74	2.78	2.82	2.87	2.91
70	2.91	2.95	3.00	3.04	3.09	3.13	3.17	3.22	3.26	3.31	3.35
80	3.35	3.39	3.44	3.48	3.53	3.57	3.62	3.66	3.71	3.75	3.80
90	3.80	3.84	3.89	3.93	3.98	4.02	4.07	4.11	4.16	4.20	4.25

*European Standard

**TYPE
TDIN*
Copper
vs
Copper - Nickel**

Section 8
Schematic Diagrams

TABLE OF CONTENTS

FIGURE NO.	TITLE	PAGE
8-1.	A1 Main PCB Assembly	8-2
8-2.	A2 Display PCB Assembly	8-6
8-3.	A3 Thermocouple Input PCB Assembly	8-8
8-4.	Option -002 Output PCB Assembly	8-10
8-5.	Output Unit Adapter PCB Assembly	8-13
8-6.	Option -004 IEEE-488 Interface PCB Assembly	8-14
8-7.	Option -006 Limits PCB Assembly	8-16
8-8.	Mnemonics	8-18

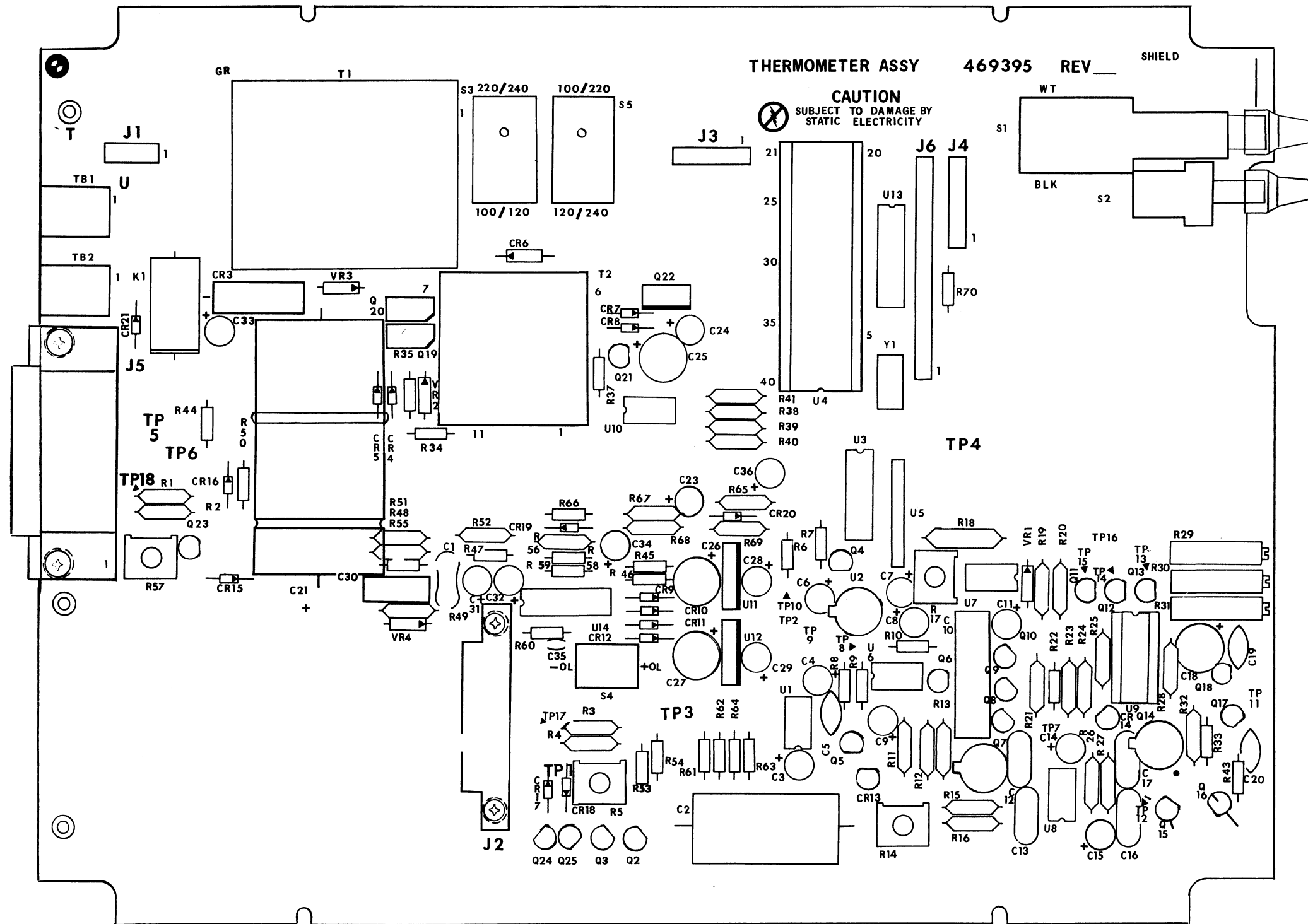
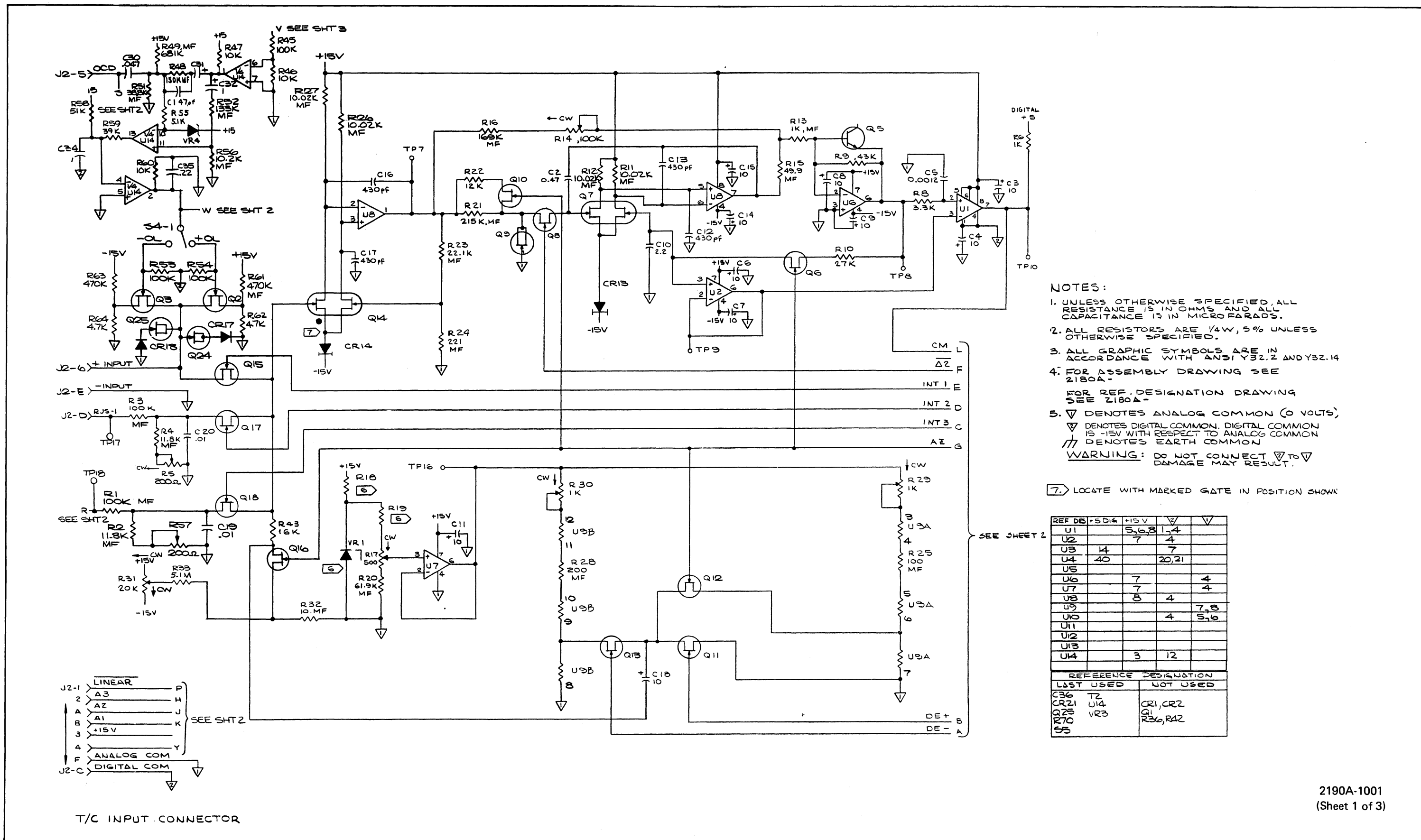


Figure 8-1. A1 Main PCB Assembly



NOTES:

1. UNLESS OTHERWISE SPECIFIED, ALL RESISTANCE IS IN OHMS AND ALL CAPACITANCE IS IN MICROFARADS.
2. ALL RESISTORS ARE 1/4W, 5% UNLESS OTHERWISE SPECIFIED.
3. ALL GRAPHIC SYMBOLS ARE IN ACCORDANCE WITH ANSI Y32.2 AND Y32.14
4. FOR ASSEMBLY DRAWING SEE 2180A- FOR REF. DESIGNATION DRAWING SEE 2180A-
5. ▽ DENOTES ANALOG COMMON (0 VOLTS)
▽ DENOTES DIGITAL COMMON. DIGITAL COMMON IS -15V WITH RESPECT TO ANALOG COMMON
⊥ DENOTES EARTH COMMON
WARNING: DO NOT CONNECT ▽ TO ▽ DAMAGE MAY RESULT.

7. LOCATE WITH MARKED GATE IN POSITION SHOWN

SEE SHEET 2

REF DES	+5DI4	+15V	▽	▽
U1	5,6,8	1,4		
U2	7	4		
U3	14	7		
U4	40	20,21		
U5				
U6	7	4		
U7	7	4		
U8	8	4		
U9			7,8	
U10		4	5,6	
U11				
U12				
U13				
U14	3	12		

REFERENCE DESIGNATION	
LAST USED	NOT USED
C36 T2	CR1, CR2
CR21 U14	Q1
Q25 VR3	R39, R42
R70	
S5	

Figure 8-1. A1 Main PCB Assembly (cont)

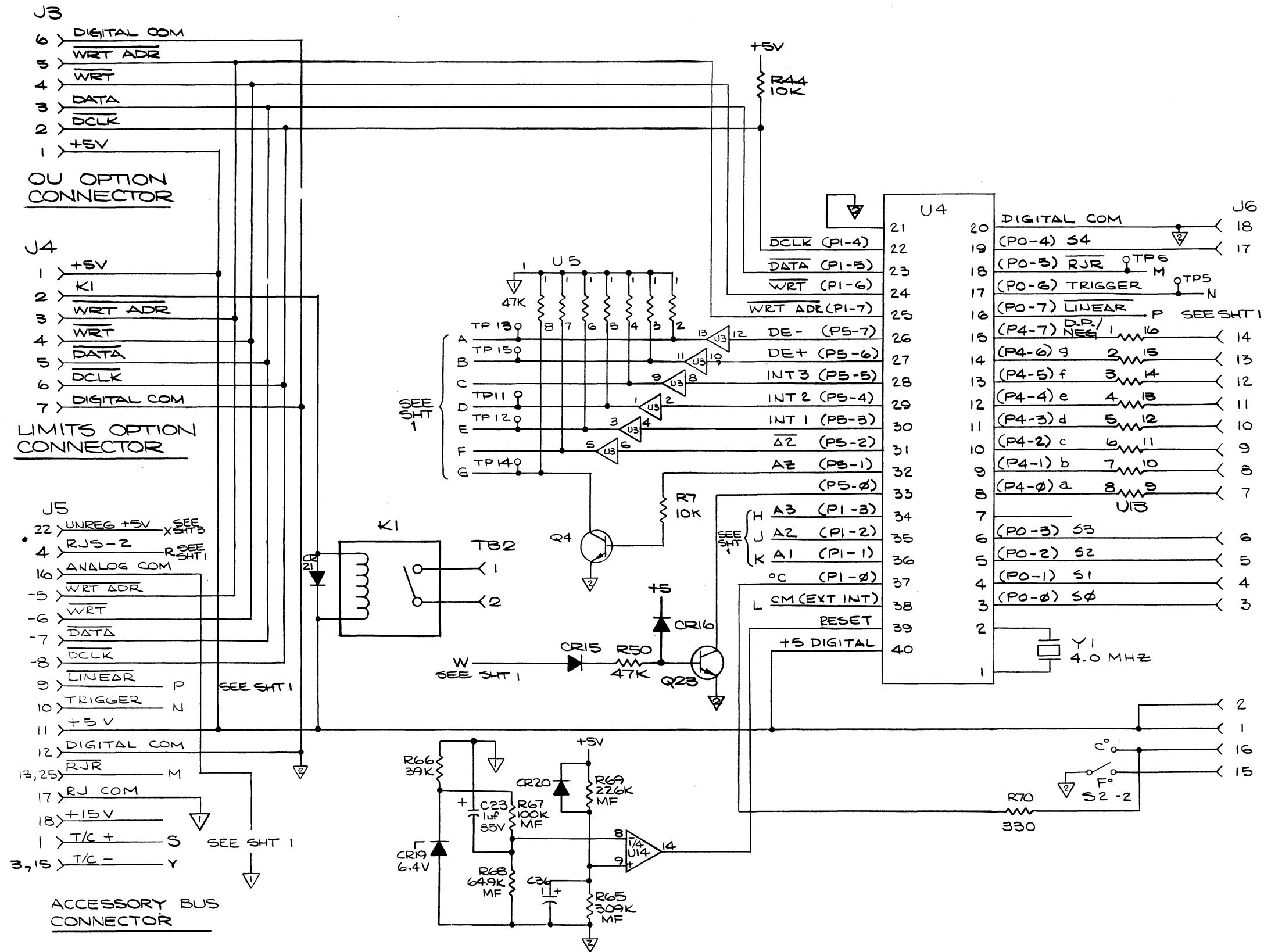
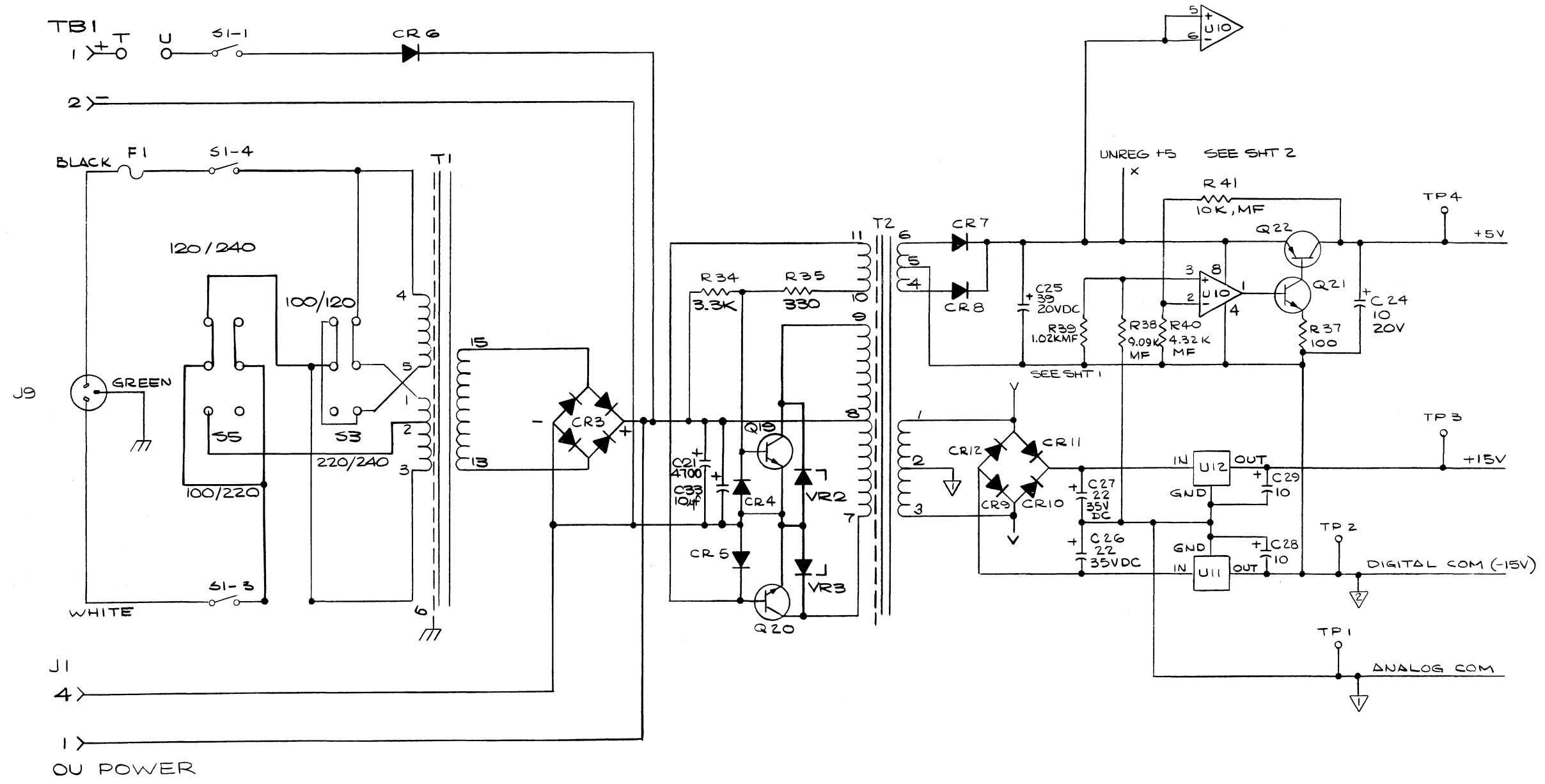
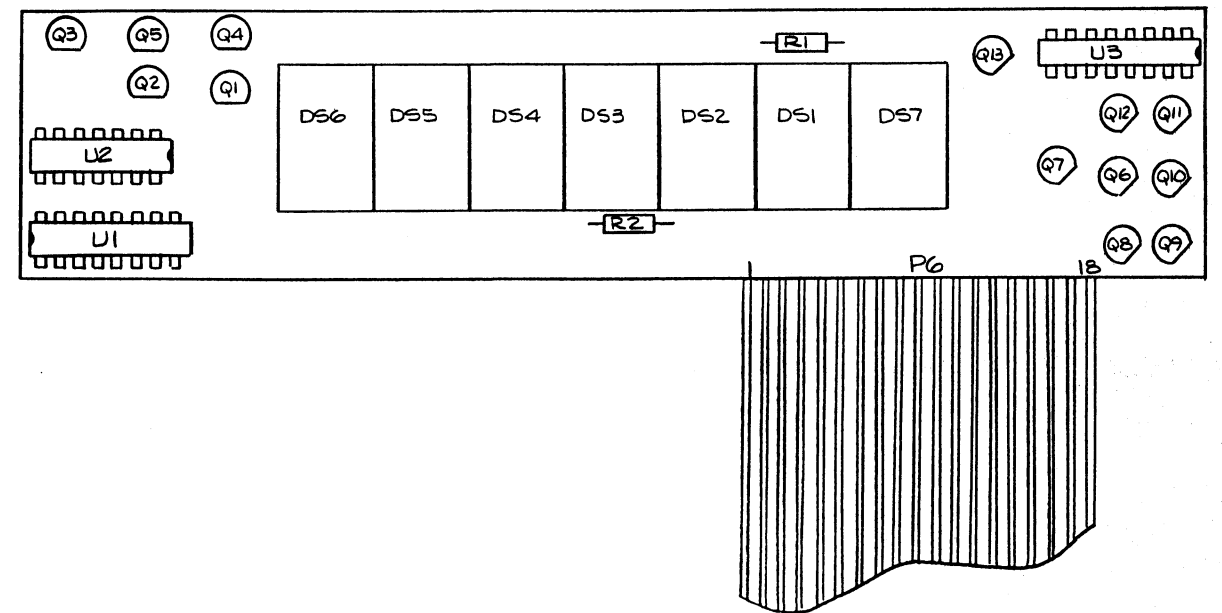


Figure 8-1. A1 Main PCB Assembly (cont)



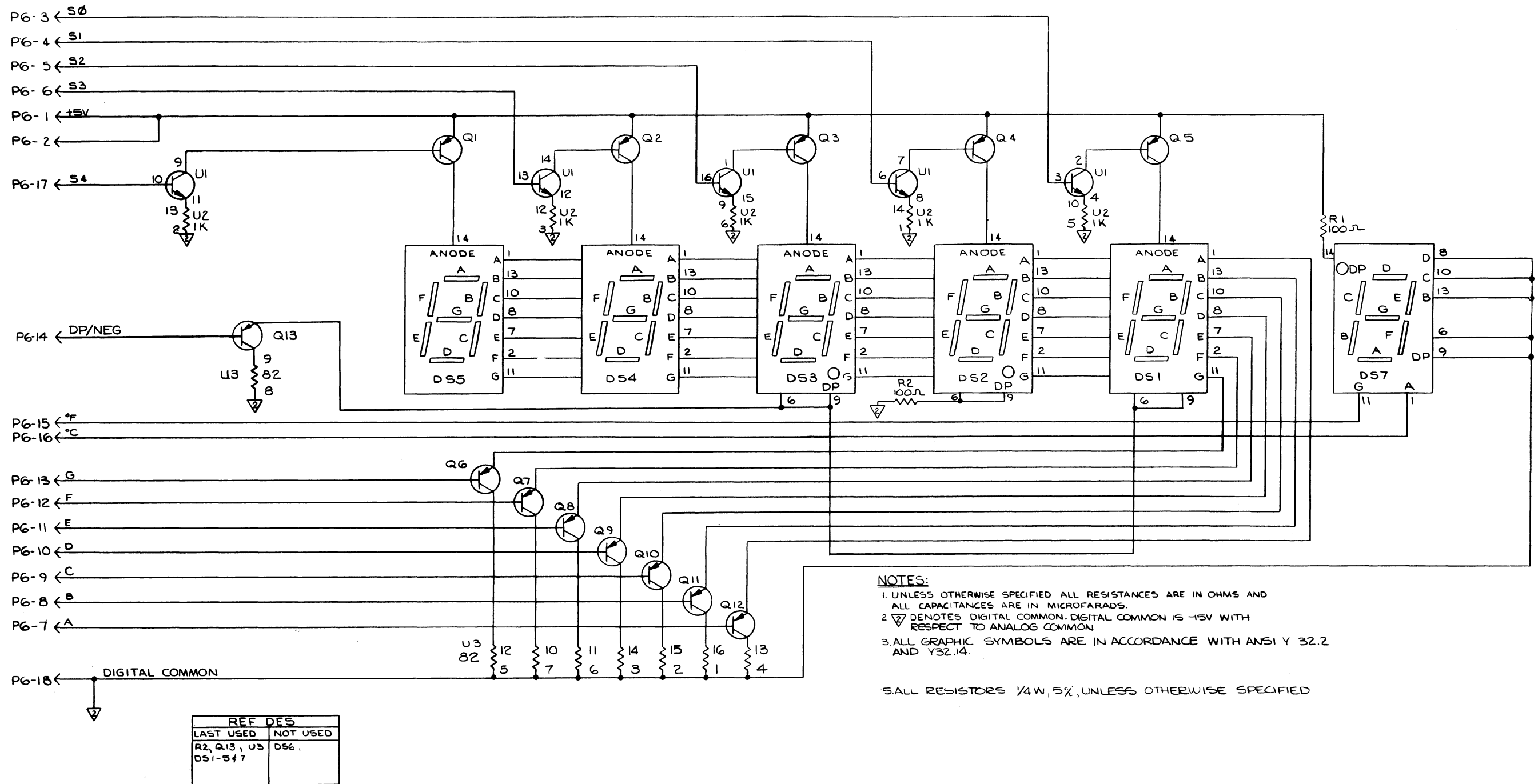
2190A-1001
(Sheet 3 of 3)

Figure 8-1. A1 Main PCB Assembly (cont)



2190A-1602

Figure 8-2. A2 Display PCB Assembly



2190A-1002

Figure 8-2. A2 Display PCB Assembly (cont)

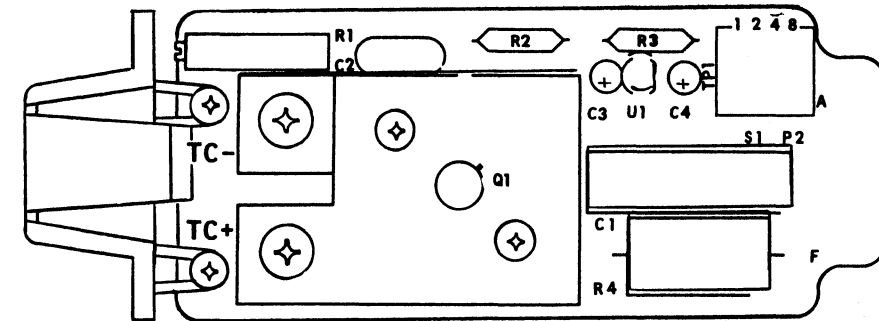
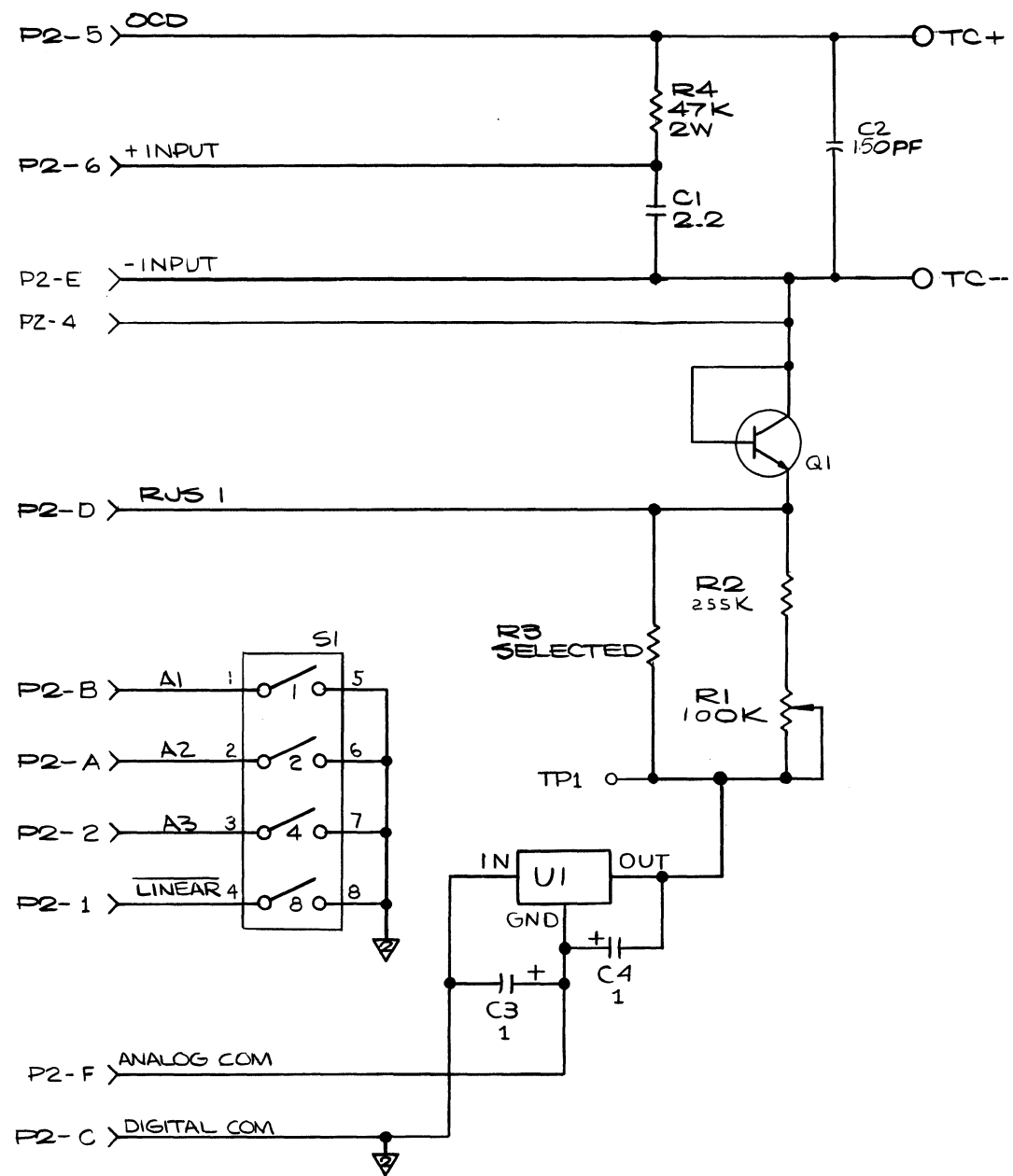


Figure 8-3. A3 Thermocouple Input PCB Assembly

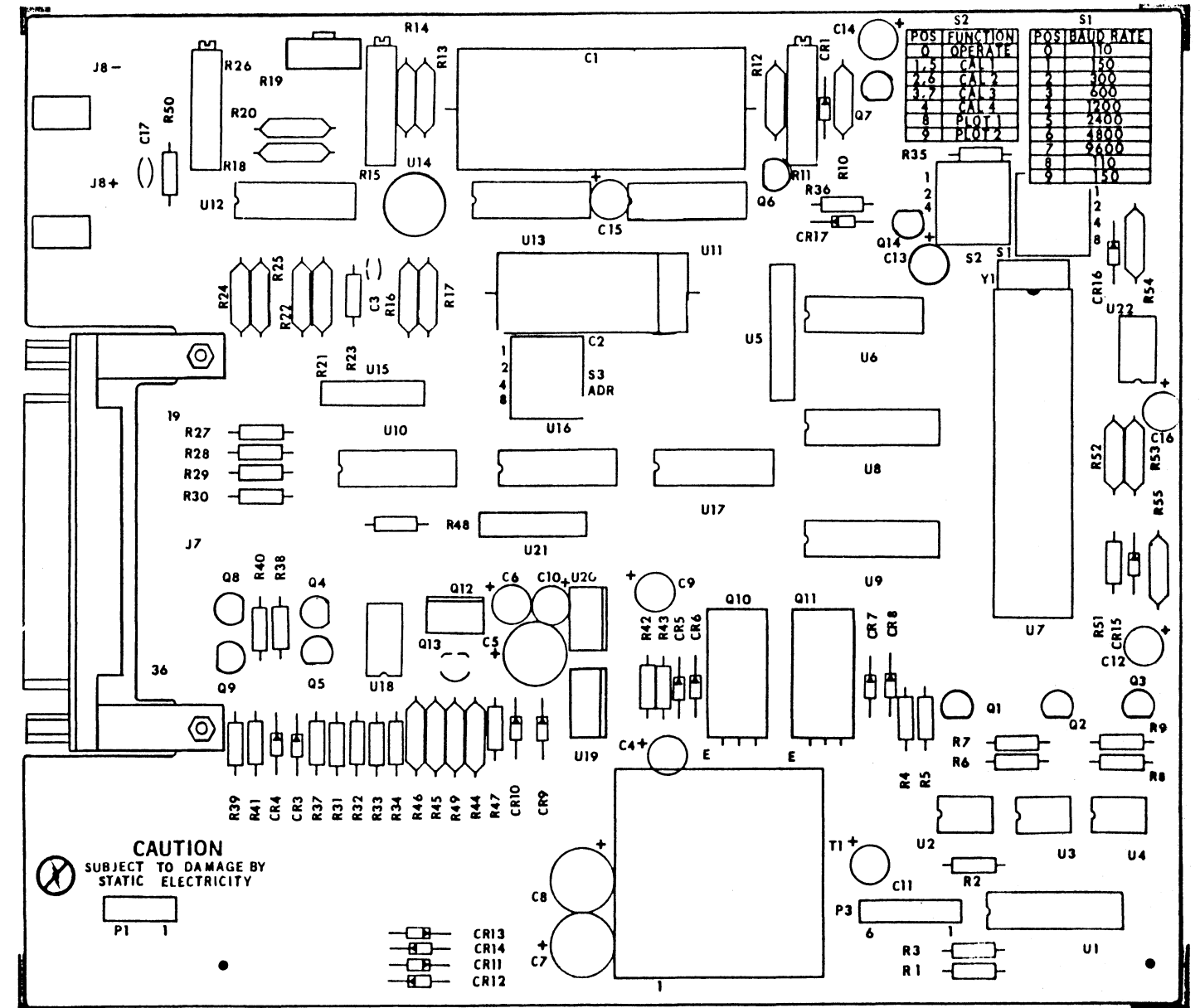


NOTES:

1. UNLESS OTHERWISE SPECIFIED ALL RESISTANCES ARE IN OHMS AND ALL CAPACITANCES ARE IN MICROFARADS.
2. ALL RESISTORS ARE 1/4W, 5% UNLESS OTHERWISE NOTED.
3. ALL GRAPHIC SYMBOLS ARE IN ACCORDANCE WITH ANSI Y32.2 AND Y32.14.
4. ▽ DENOTES ANALOG COMMON
 ▽ DENOTES DIGITAL COMMON. DIGITAL COMMON IS -15V WITH RESPECT TO ANALOG COMMON

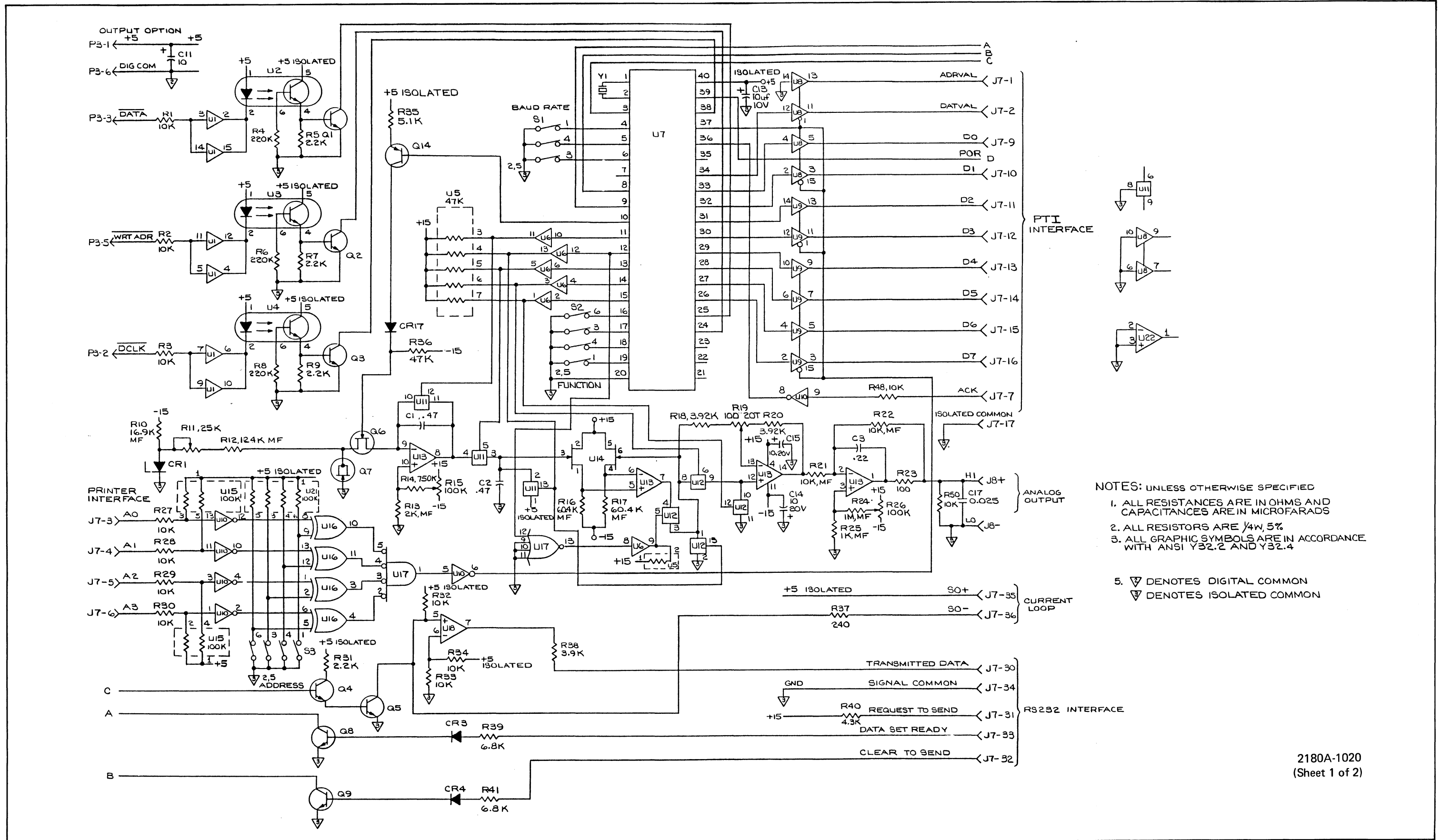
2190A-1003

Figure 8-3. A3 Thermocouple Input PCB Assembly (cont)



2180A-1620

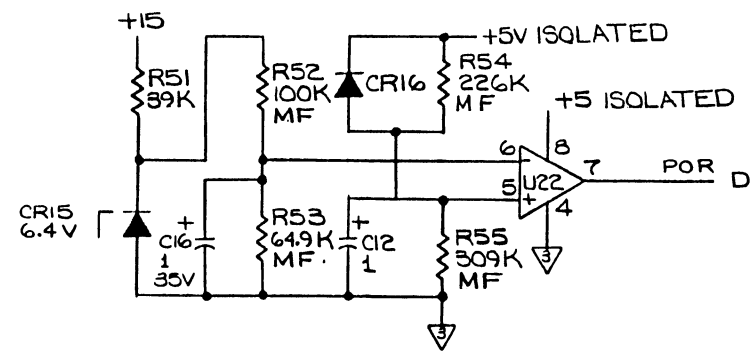
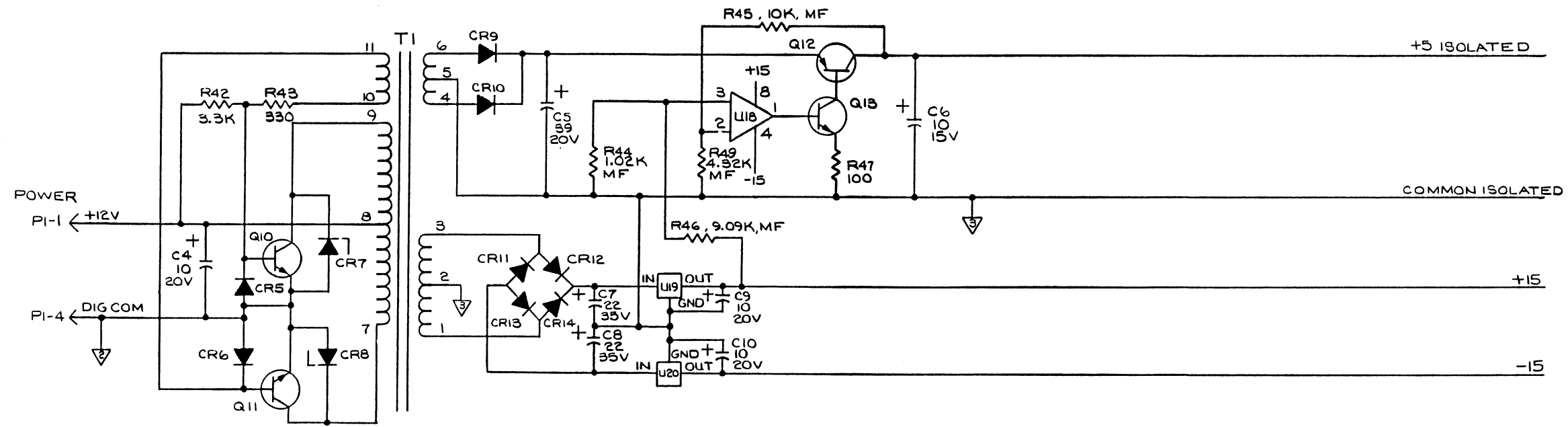
Figure 8-4. Option -002 Output PCB Assembly



- NOTES: UNLESS OTHERWISE SPECIFIED
1. ALL RESISTANCES ARE IN OHMS AND CAPACITANCES ARE IN MICROFARADS
 2. ALL RESISTORS ARE 1/4W, 5%
 3. ALL GRAPHIC SYMBOLS ARE IN ACCORDANCE WITH ANSI Y32.2 AND Y32.4
 5. ▽ DENOTES DIGITAL COMMON
▽ DENOTES ISOLATED COMMON

2180A-1020
(Sheet 1 of 2)

Figure 8-4. Option -002 PCB Output Assembly (cont)

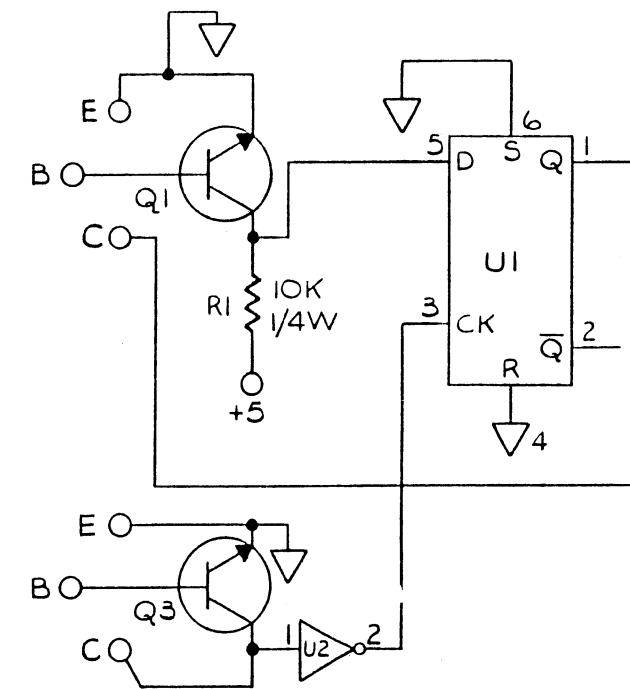
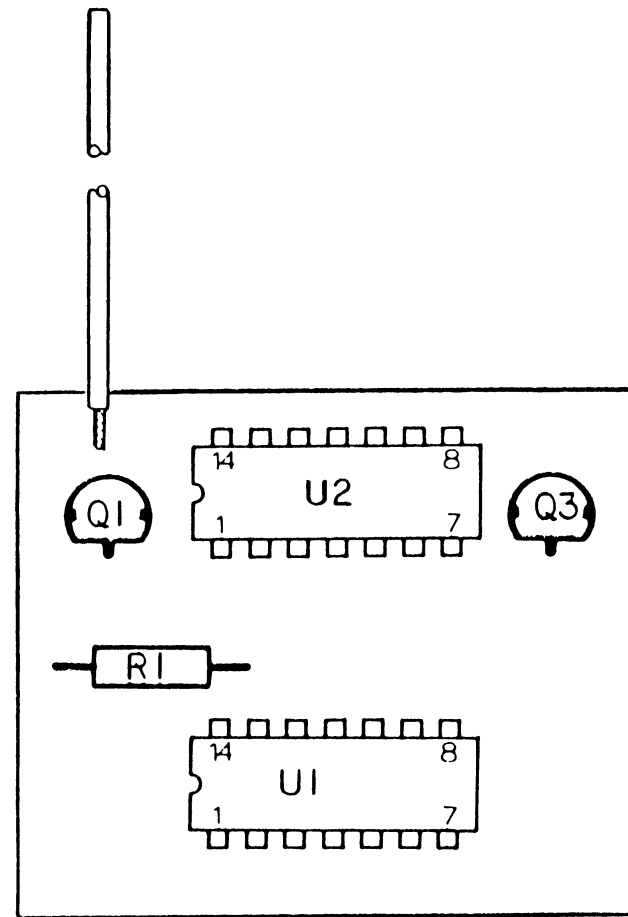


REF DESIGNATIONS	
LAST USED	NOT USED
C17	
CR17	CR2
U22	
R55	
Q14	
S3	
T1	

DES	+5	GND	+5 ISOLATED	+15	-15	GND ISOLATED
U1	1	8				
U2	1		5			
U3	1		5			
U4	1		5			
U5				1		
U6			14			7
U7			40			20
U8			16			8
U9			16			8
U10			14			7
U11				14		7
U12				14		7
U13				4	11	
U14				276		
U15, U21			1			
U16			14			7
U17			14			7
U18				8	4	

DES	+5	GND ISOLATED	+5 ISOLATED	+15	-15	GND ISOLATED
U22		4	8			

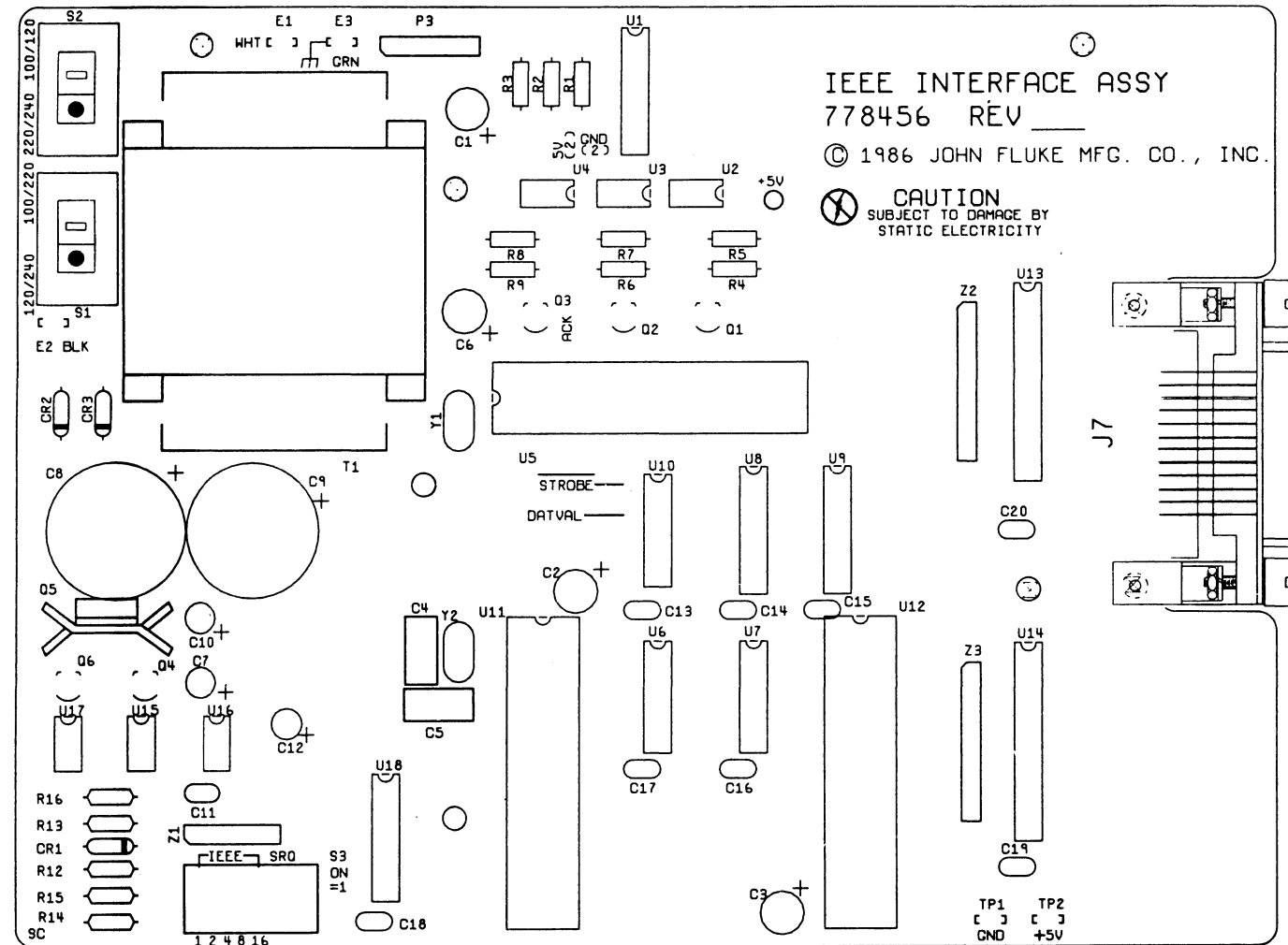
Figure 8-4. Option -002 PCB Output Assembly (cont)



2180A-1621

2180A-1021

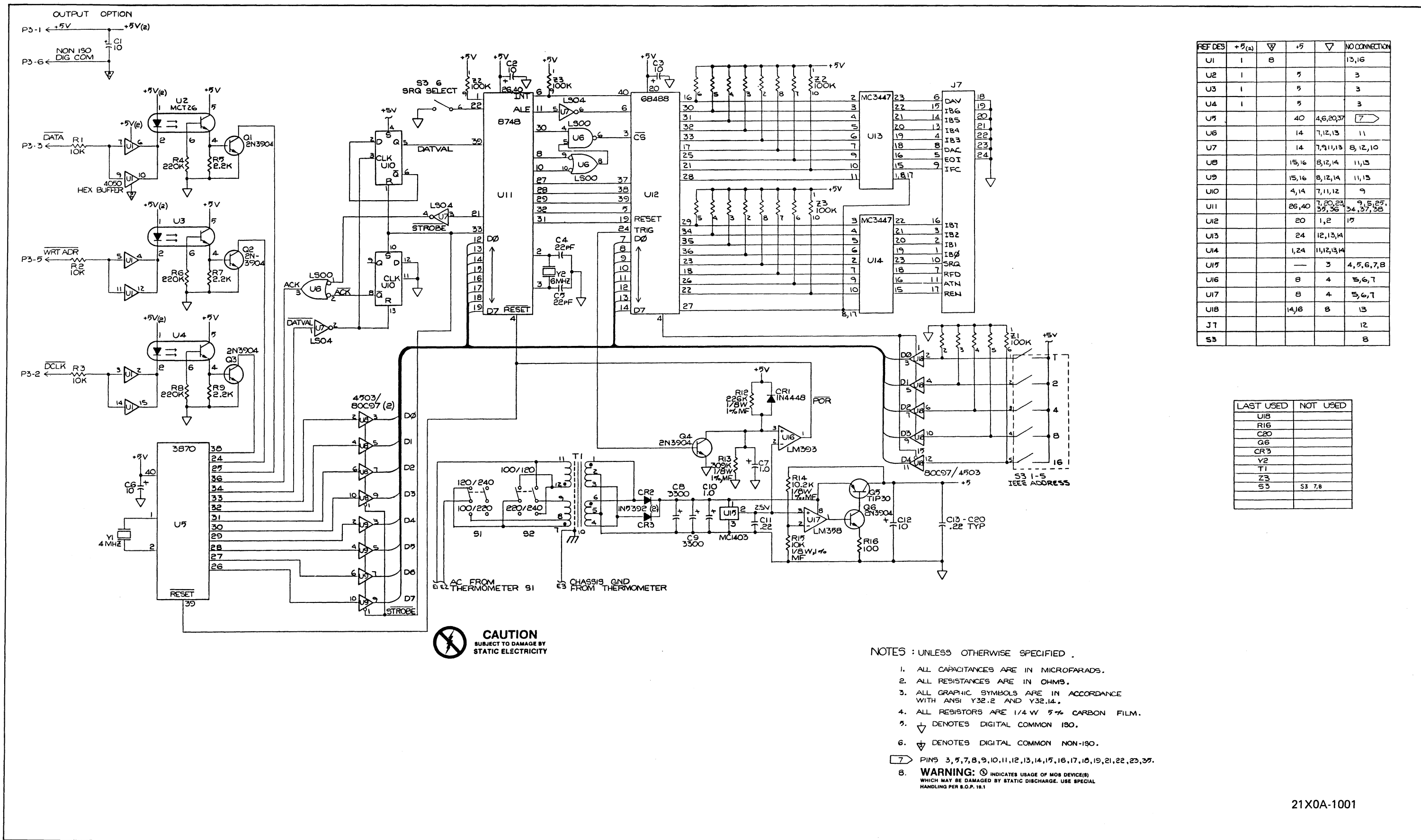
Figure 8-5. Output Unit Adapter PCB Assembly



WARNING: Ⓢ INDICATES USAGE OF MOS DEVICE(S)
WHICH MAY BE DAMAGED BY STATIC DISCHARGE. USE SPECIAL
HANDLING PER S.O.P. 19.1

21X0A-1601

Figure 8-6. Option -004 IEEE-488 Interface PCB Assembly



REF DES	+5(a)	▽	+5	▽	NO CONNECTION
U1	1	8			13,16
U2	1		5		3
U3	1		5		3
U4	1		5		3
U5			40	4,6,20,37	7
U6			14	7,12,13	11
U7			14	7,9,11,13	8,12,10
U8			15,16	8,12,14	11,13
U9			15,16	8,12,14	11,13
U10			4,14	7,11,12	9
U11			26,40	7,20,23,29,36	9,5,25,24,37,58
U12			20	1,2	15
U13			24	12,13,14	
U14			1,24	11,12,13,14	
U15			—	3	4,5,6,7,8
U16			8	4	5,6,7
U17			8	4	5,6,7
U18			14,16	8	13
J1					12
S3					8

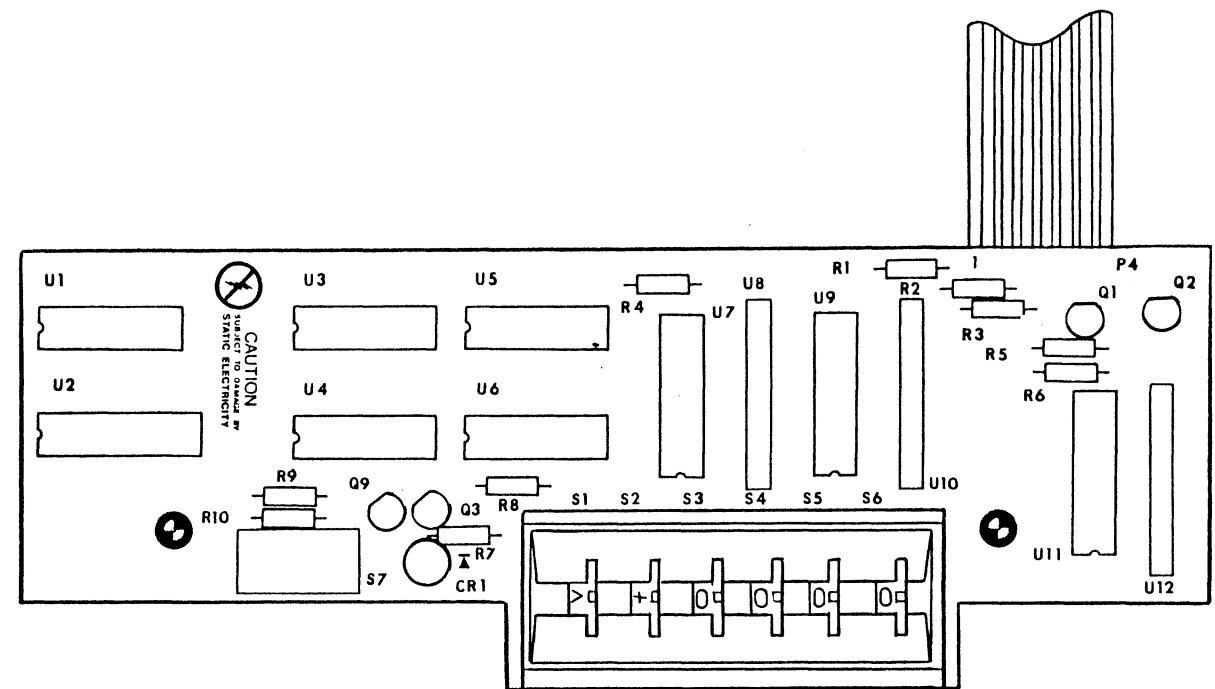
LAST USED	NOT USED
U18	
R16	
C20	
Q6	
CR3	
Y2	
T1	
Z3	
S3	S3 7,8

CAUTION
SUBJECT TO DAMAGE BY
STATIC ELECTRICITY

- NOTES : UNLESS OTHERWISE SPECIFIED .
1. ALL CAPACITANCES ARE IN MICROFARADS.
 2. ALL RESISTANCES ARE IN OHMS.
 3. ALL GRAPHIC SYMBOLS ARE IN ACCORDANCE WITH ANSI Y32.2 AND Y32.14.
 4. ALL RESISTORS ARE 1/4 W 5% CARBON FILM.
 5. ▽ DENOTES DIGITAL COMMON ISO.
 6. ▽ DENOTES DIGITAL COMMON NON-ISO.
 7. PINS 3,5,7,8,9,10,11,12,13,14,15,16,17,18,19,21,22,23,35.
 8. **WARNING:** ⊕ INDICATES USAGE OF MOS DEVICE(S) WHICH MAY BE DAMAGED BY STATIC DISCHARGE. USE SPECIAL HANDLING PER S.O.P. 18.1

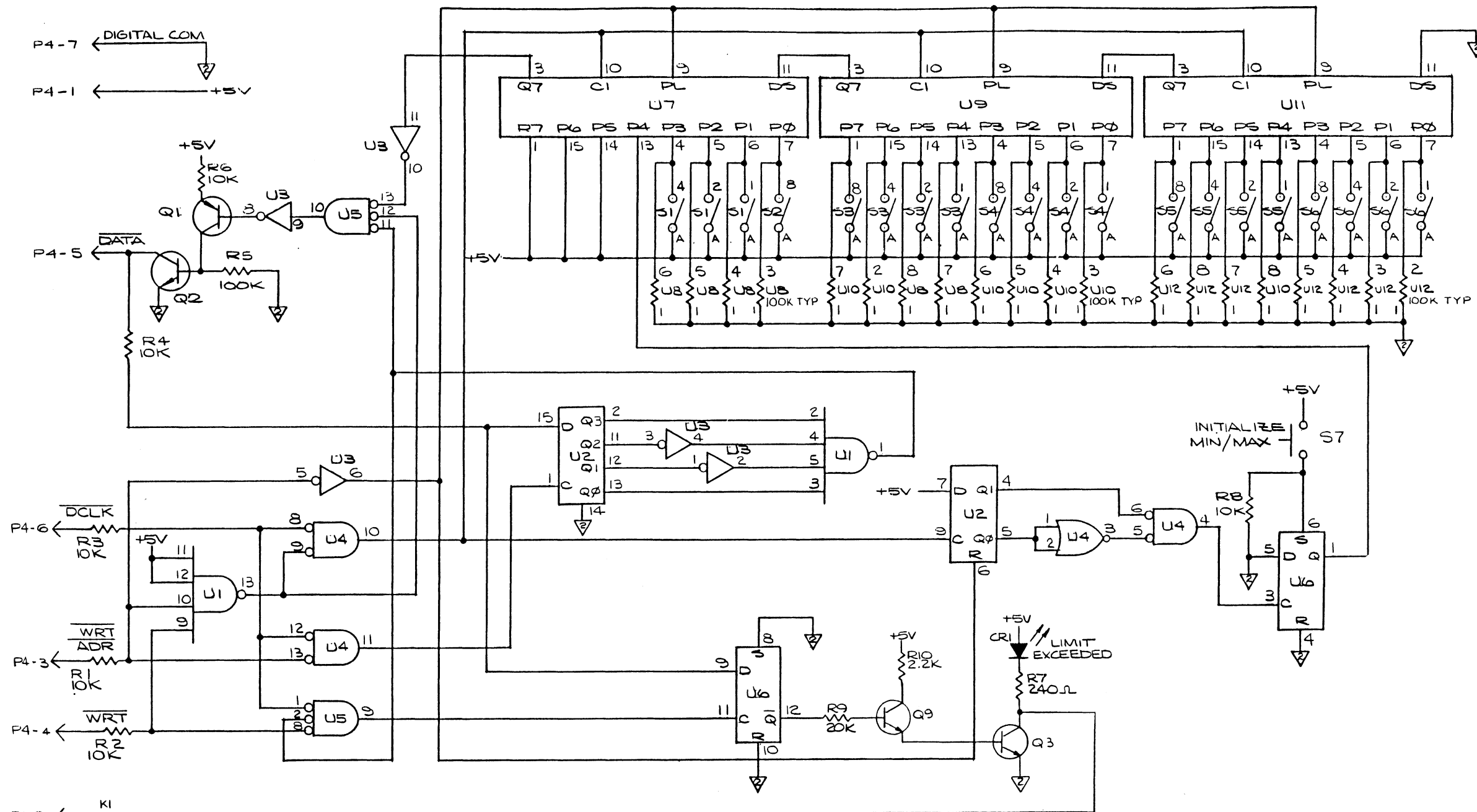
21X0A-1001

Figure 8-6. Option -004 IEEE-488 Interface PCB Assembly (cont)



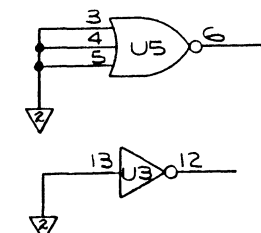
2180A-1660

Figure 8-7. Option -006 Limits PCB Assembly



NOTES:

1. UNLESS OTHERWISE SPECIFIED ALL RESISTANCES ARE IN OHMS AND ALL CAPACITANCES ARE IN MICROFARADS.
2. ALL RESISTORS ARE 1/4W, 5% UNLESS OTHERWISE NOTED.
3. ALL GRAPHIC SYMBOLS ARE IN ACCORDANCE WITH ANSI Y32.2 & Y32.14.
6. ▽ DENOTES DIGITAL COMMON. DIGITAL COMMON IS -15V WITH RESPECT TO ANALOG COMMON



I.C.	+5V	▽
U1	14	7
U2	16	8
U3	14	7
U4	14	7
U5	14	7
U6	14	7
U7	16	8
U9	16	8
U11	16	8

REF DES	
LAST USED	NOT USED
U12, R8, S7, Q9	Q4, Q5, Q6, Q7, Q8

2180A-1060

Figure 8-7. Option -006 Limits PCB Assembly (cont)

A1-A3	Program Lines
ADRVAL	Address Valid
ANALOG COMMON	Measurement Common
AZ	Auto-Zero
CM	Compare input to the microcomputer
°C	Degrees Celsius
°F	Degrees Fahrenheit
$\Delta 2$	Hold Command
DATA	Data on Bus
DATVAL	Data Valid
DCLK	Data Clock
DE-	Read a minus input
DE+	Read a plus input
DIGITAL COMMON	-15V with respect to Analog Common
DP/NEG	Decimal Point/Negative
INT 1	Integrate unknown voltage 1
INT 2	Integrate unknown voltage 2
INT 3	Integrate unknown voltage 3
LINEAR	Microcomputer Display Linear Counts
OCD	Open Thermocouple Detector
RJ COMMON	Reference Junction Common
RJR	Reference Junction Request
RJS-1	Reference Junction Sense 1
RJS-2	Reference Junction Sense 2
S0-S4	Strobe Lines
T/C-	Thermocouple Negative
T/C+	Thermocouple Positive
WRT	Write
WRT ADD	Write Address (Transmitting Address)
-INPUT	Input Negative
+ INPUT	Input Positive

Figure 8-8. Mnemonics

Free Manuals Download Website

<http://myh66.com>

<http://usermanuals.us>

<http://www.somanuals.com>

<http://www.4manuals.cc>

<http://www.manual-lib.com>

<http://www.404manual.com>

<http://www.luxmanual.com>

<http://aubethermostatmanual.com>

Golf course search by state

<http://golfingnear.com>

Email search by domain

<http://emailbydomain.com>

Auto manuals search

<http://auto.somanuals.com>

TV manuals search

<http://tv.somanuals.com>