



KUBUS ISLAND 36"

Range Hood Hotte

**Installation Instructions
Use and Care Guide**

**Instructions d'installation
Mode d'emploi et d'entretien**

FKU 368 TC I

INDEX

WARNINGS AND REQUIREMENTS	3
RECOMMENDATIONS AND SUGGESTIONS	6
DIMENSIONS and MAIN PARTS.....	7
INSTALLATION	9
USE.....	13
CARE.....	14

READ AND SAVE THESE INSTRUCTIONS

The Installer must leave these instructions with the homeowner.

The homeowner must keep these instructions for future reference and for local electrical inspectors' use.

READ THESE INSTRUCTIONS BEFORE YOU START INSTALLING THIS RANGEHOOD

WARNING: - TO REDUCE THE RISK OF A RANGE TOP GREASE FIRE: Never leave surface units unattended at high settings. Boilovers cause smoking and greasy spillovers that may ignite. Heat oils slowly on low or medium setting. Always turn hood ON when cooking at high heat or when flambéing food (i.e. Crepes Suzette, Cherries Jubilee, Peppercorn Beef Flambé. Clean ventilating fans frequently. Grease should not be allowed to accumulate on fan or filter. Use proper pan size. Always use cookware appropriate for the size of the surface element.

WARNING: - TO REDUCE THE RISK OF INJURY TO PERSONS IN THE EVENT OF A RANGE TOP GREASE FIRE, OBSERVE THE FOLLOWING: SMOTHER FLAMES with a close-fitting lid, cookie sheet, or metal tray, then turn off the burner. **BE CAREFUL TO PREVENT BURNS.** If the flames do not go out immediately **EVACUATE AND CALL THE FIRE DEPARTMENT. NEVER PICK UP A FLAMING PAN** - You may be burned. **DO NOT USE WATER**, including wet dishcloths or towels - a violent steam explosion will result. Use an extinguisher **ONLY** if: 1. You know you have a Class ABC extinguisher, and you already know how to operate it. 2. The fire is small and contained in the area where it started. 3. The fire department is being called. 4. You can fight the fire with your back to an exit.

ALL WALL AND FLOOR OPENINGS WHERE THE RANGEHOOD IS INSTALLED MUST BE SEALED.

This rangehood requires at least 24" of clearance between the bottom of the rangehood and the cooking surface or countertop. This minimum clearance may be higher depending on local building code. Consult the cooktop or range installation instructions given by the manufacturer before making any cutouts. **MOBILE HOME INSTALLATION.** The installation of this rangehood must conform to the Manufactured Home Construction and Safety Standards, Title 24 CFR, Part 3280 (formerly Federal Standard for Mobile Home Construction and Safety, Title 24, HUD, Part 280). Four wire power supply must be used and the appliance wiring must be revised. See Electrical Requirements.

VENTING REQUIREMENTS

CAUTION - To reduce risk of fire and to properly exhaust air, be sure to duct air outside – Do not vent exhaust air into spaces within walls or ceilings or into attics, crawl spaces, or garages".

Determine which venting method is best for your application. Ductwork can extend either through the wall or the roof. The length of the ductwork and the number of elbows should be kept to a minimum to provide efficient performance. The size of the ductwork should be uniform. Do not install two elbows together. Use duct tape to seal all joints in the ductwork system. Use caulking to seal exterior wall or floor opening around the cap.

Flexible ductwork is not recommended. Flexible ductwork creates back pressure and air turbulence that greatly reduces performance.

Make sure there is proper clearance within the wall or floor for exhaust duct before making cutouts. Do not cut a joist or stud unless absolutely necessary. If a joist or stud must be cut, then a supporting frame must be constructed.

WARNING - To Reduce The Risk Of Fire, Use Only Metal Ductwork.

WARNING

- Venting system **MUST** terminate outside the home.
- **DO NOT** terminate the ductwork in an attic or other enclosed space.
- **DO NOT** use 4" laundry-type wall caps.
- Flexible-type ductwork is **NOT** recommended.
- **DO NOT** obstruct the flow of combustion and ventilation air.
- Failure to follow venting requirements may result in a fire.

ELECTRICAL REQUIREMENTS

A 120 volt, 60 Hz AC-only electrical supply is required on a separate 15 amp fused circuit. A timedelay fuse or circuit breaker is recommended. The fuse must be sized per local codes in accordance with the electrical rating of this unit as specified on the serial/rating plate located inside the unit near the field wiring compartment. **THIS UNIT MUST BE CONNECTED WITH COPPER WIRE ONLY.** Wire sizes must conform to the requirements of the National Electrical Code, ANSI/NFPA 70 - latest edition, and all local codes and ordinances. Wire size and connections must conform with the rating of the appliance. Copies of the standard listed above may be obtained from:

National Fire Protection Association
Batterymarch Park
Quincy, Massachusetts 02269

This appliance should be connected directly to the fused disconnect (or circuit breaker) through flexible, armored or nonmetallic sheathed copper cable. Allow some slack in the cable so the appliance can be moved if servicing is ever necessary. A UL Listed, 1/2" conduit connector must be provided at each end of the power supply cable (at the appliance and at the junction box).

When making the electrical connection, cut a 1 1/4" hole in the wall. A hole cut through wood must be sanded until smooth. A hole through metal must have a grommet.

WARNING - TO REDUCE THE RISK OF FIRE OR ELECTRIC SHOCK, do not use this fan with any solid-state speed control device.

WARNING - TO REDUCE THE RISK OF FIRE, ELECTRICAL SHOCK, OR INJURY TO PERSONS, OBSERVE THE FOLLOWING: Use this unit only in the manner intended by the manufacturer. If you have any questions, contact the manufacturer.

Before servicing or cleaning unit, switch power off at service panel and lock the service disconnect means to prevent power from being switched on accidentally. When the service disconnecting means cannot be locked, securely fasten a prominent warning device, such as a tag, to the service panel.

CAUTION: For General Ventilating Use Only. Do Not Use To Exhaust Hazardous or Explosive Materials and Vapors.

WARNING - TO REDUCE THE RISK OF FIRE, ELECTRICAL SHOCK, OR INJURY TO PERSONS, OBSERVE THE FOLLOWING: Installation Work And Electrical Wiring Must Be Done By Qualified Person(s) In Accordance With All Applicable Codes And Standards, Including Fire-Rated Construction.

Sufficient air is needed for proper combustion and exhausting of gases through the flue (chimney) of fuel burning equipment to prevent backdrafting. Follow the heating equipment manufacturer's guideline and safety standards such as those published by the National Fire Protection Association (NFPA), and the American Society for Heating, Refrigeration and Air Conditioning Engineers (ASHRAE), and the local code authorities.

When cutting or drilling into wall or ceiling, do not damage electrical wiring and other hidden utilities.

Ducted fans must always be vented to the outdoors.

WARNING

- Electrical ground is required on this rangehood.
- If cold water pipe is interrupted by plastic, nonmetallic gaskets or other materials, **DO NOT** use for grounding.
- **DO NOT** ground to a gas pipe.
- **DO NOT** have a fuse in the neutral or grounding circuit. A fuse in the neutral or grounding circuit could result in electrical shock
- Check with a qualified electrician if you are in doubt as to whether the rangehood is properly grounded.
- Failure to follow electrical requirements may result in a fire.

RECOMMENDATIONS AND SUGGESTIONS

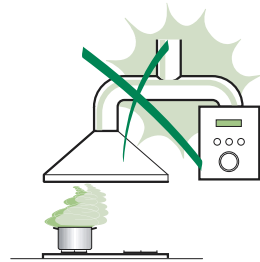
⚠ The Instructions for Use apply to several versions of this appliance. Accordingly, you may find descriptions of individual features that do not apply to your specific appliance.

INSTALLATION

- The manufacturer will not be held liable for any damages resulting from incorrect or improper installation.
- Check that the main voltage corresponds to that indicated on the rating plate fixed to the inside of the hood.
- The electrical supply must be properly and sufficiently grounded. Connect the extractor to the exhaust flue through a pipe of minimum diameter 6". The route of the flue must be as short as possible.
- Do not connect the extractor hood to exhaust ducts carrying combustion fumes (boilers, fireplaces, etc.).
- If the extractor is used in conjunction with non-electrical appliances (e.g. gas burning appliances), a sufficient degree of aeration must be guaranteed in the room in order to prevent the backflow of exhaust gas. The kitchen must have an opening communicating directly with the open air in order to guarantee the entry of clean air.

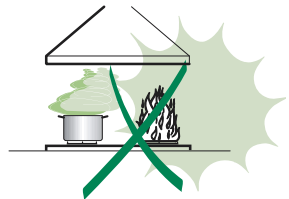
USE

- The range hood has been designed exclusively for domestic use to eliminate kitchen odors.
- Never use the hood for purposes other than for which it has been designed.
- Never leave high naked flames under the hood when it is in operation.
- Adjust the flame intensity to direct it onto the bottom of the pan only, making sure that it does not engulf the sides.
- Deep fat fryers must be continuously monitored during use: overheated oil can burst into flames.
- The hood should not be used by children or persons not instructed in its correct use.



CARE

- Switch off or unplug the appliance from the main supply before carrying out any maintenance work.
- Clean and/or replace the Filters after the specified time period.
- Clean the hood using a damp cloth and a neutral liquid detergent.

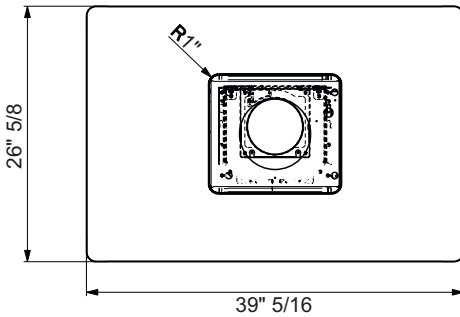
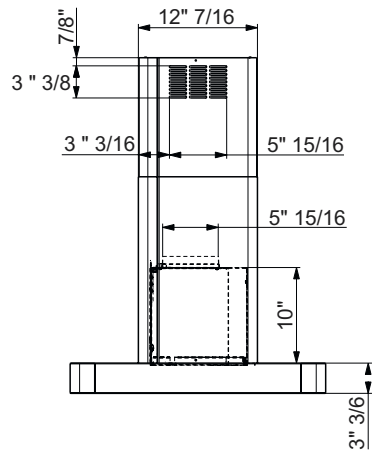
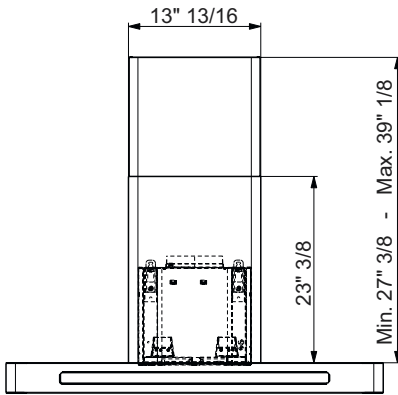


THERMAL PROTECTOR

The range hood is equipped with a thermal protector to avoid overheating conditions. If the range hood shuts off in use, press the on/off button to return off range hood. Wait approximately **90 minutes**, then press the on/off button to restart the range hood.

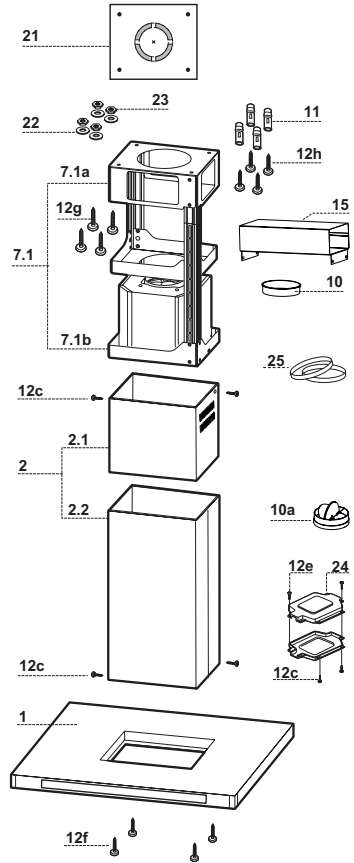
DIMENSIONS and MAIN PARTS

Dimensions

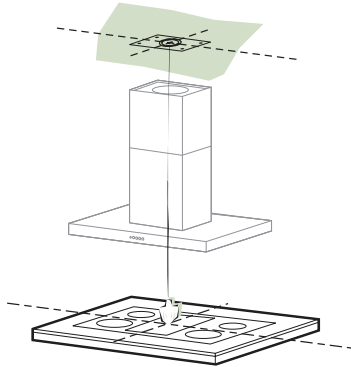


Components

Ref.	Q.ty	Product Components
1	1	Hood Body, complete with: Controls, Light, Blower, Filters
2	1	Telescopic Chimney comprising:
2.1	1	Upper Section
2.2	1	Lower Section
7.1	1	Telescopic frame complete with extractor, consisting of:
7.1a	1	Upper frame
7.1b	1	Lower frame
10	1	Flange \varnothing 6"
10a	1	Damper
15	1	Air Outlet Connection
24	2	Connection Box
25	2	Pipe clamps
Ref.	Q.ty	Installation Components
11	4	Wall Plugs (If supplied)
12c	6	Screws 1/8" x 1/4"
12e	2	Screws 1/8" x 3/8"
12f	4	Screws M1/4" x 3/8"
12g	4	Screws M1/4" x 3" 1/8"
12h	4	Screws 3/16" x 2" 3/4"
21	1	Drilling template
22	4	1/4" int. dia washers
23	4	M1/4" nuts
Q.ty	Documentation	
1	Instruction Manual	



INSTALLATION



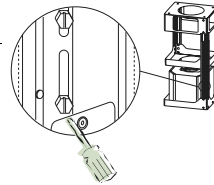
Drilling the Ceiling/shelf and fixing the frame

DRILLING THE CEILING/SHELF

- Use a plumb line to mark the center of the Cooking surface on the ceiling/support shelf.
- Place the drilling template **21** provided on the ceiling/support shelf, making sure that the template is in the correct position by lining up the axes of the template with those of the hob.
- Mark the centers of the holes in the template.
- Drill the holes at the points marked:
 - For concrete ceilings, drill for plugs appropriate to the screw size.
 - For hollow brick ceilings with wall thickness of 13/16": drill \varnothing 3/8" (immediately insert the Dowels **11** if supplied).
 - For wooden beam ceilings, drill according to the wood screws used.
 - For wooden shelf, drill \varnothing 1/4".
 - For the power supply cable feed, drill \varnothing 3/8".
 - For the air outlet (Ducted Version), drill according to the diameter of the external air exhaust duct connection.
- Insert two screws of the following type, crossing them and leaving 3/16" from the ceiling:
 - For concrete ceilings, use the appropriate plugs for the screw size (not provided).
 - for Cavity ceiling with inner space, with wall thickness of approx. 13/16", Screws **12h**, supplied.
 - For wooden beam ceilings, use 4 wood screws (not provided).
 - For wooden shelf, use 4 screws **12g** with washers **22** and nuts **23**, provided.

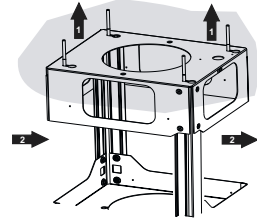
Fixing the frame

- Loosen the two screws fastening the lower chimney and remove this from the lower frame.
- Loosen the two screws fastening the upper chimney and remove this from the upper frame.



If you wish to adjust the height of the frame, proceed as follows:

- Unfasten the eight metric screws joining the two columns, located at the sides of the frame.
- Adjust the frame to the height required, then replace all the screws removed as above.
- Insert the upper chimneystack from above, and leave it running free on the frame.
- Lift up the frame, fit the frame slots onto the screws up to the slot end positions.
- Tighten the two screws and fasten the other two screws provided with the hood.



Before tightening the screws completely it is possible to adjust the frame by turning it. Make sure that the screws do not come out of their seats in the slotted holes.

- The frame mountings must be secure to withstand the weight of the hood and any stresses caused by the occasional side thrust applied to the device.

On completion, check that the base is stable, even if the frame is subjected to bending.

- In all cases where the ceiling is not strong enough at the suspension point, the installer must provide strengthening using suitable plates and backing pieces anchored to the structurally sound parts.

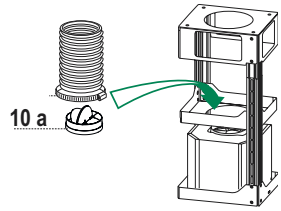
Note: The Hood body should be secured to ceiling joists. If necessary, install a wood support behind the dry wall, flush mounted between 2 joists. This will provide the necessary structure and support for mounting.

Connections

DUCTED VERSION AIR EXHAUST SYSTEM

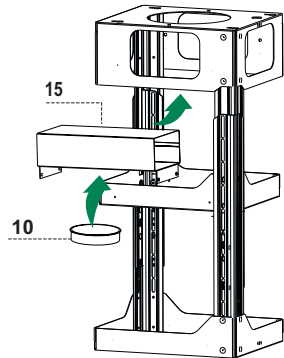
When installing the ducted version, connect the hood to the chimney using a rigid 6" duct. (not supplied)

- Install the damper **10a** \varnothing 6".
- Fix the duct in position using sufficient pipe clamps.



DUCTLESS VERSION AIR OUTLET

- Fix the connection **15** to the frame using the 4 screws provided.
- Fix the flange **10** to the lower opening of the connection **15**.
- Connect the hood air outlet to the flange in the lower part of the junction using a rigid \varnothing 6" tube (not supplied).

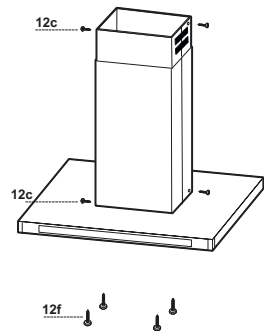


Chimney assembly - Mounting the hood body

- Position the upper chimney section and fix the upper part to the frame using the 2 screws **12c** provided.
- Similarly, position the lower chimney section and fix the lower part to the frame using the 2 screws **12c** provided.

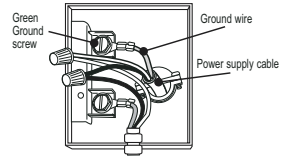
Before fixing the hood body to the frame:

- Remove the grease filters from the hood body.
- Remove any activated charcoal filters.
- From below, use the 4 screws **12f** provided to fix the hood body to the frame.

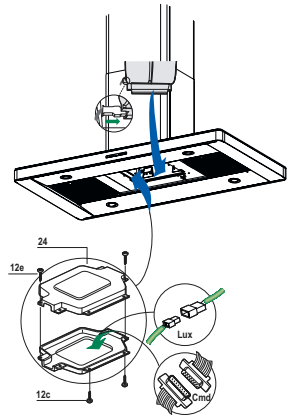


Electrical connection

- Remove the cover from the Field Wiring Compartment with a phillips screwdriver.
- Feed the Power Supply Cable through the electrical knockout. Connect the Power Supply Cable to the range- hood cable. Attach the Power Supply Cable grounding lead to the green screw provided. Attach the White lead of the power supply to the White lead of the rangehood with a twist-on type wire connector. Attach the Black lead of the power supply to the Black lead of the rangehood with a twist-on type wire connector.
- Replace the cover.



- Connect the control connector **Cmd**.
- Connect the lights connector **Lux**.
- Place the connectors in the junction box **24** and close it using the 2 screws **12e** provided.
- Fix the junction box to the hood body using the 2 screws **12c** provided.



USE



Control board

Key	Function	Display
A	Switches the blower motor on and off at the latest selected speed	Indicates the selected speed.
B	Decreases the vent speed.	The number of lit LEDs decreases.
C	Increases the vent speed.	The number of lit LEDs increases.
D	By pressing this key it is possible to start the intensive speed from any previously selected speed except the Delay-function and 24H-function. This speed has been timed at 10 minutes. After that time the system activates automatically the latest selected speed. This function is recommended for cooking condition where vapors and odors need to be eliminated immediately and quickly.	I flashes and the LEDs are all lit. By pressing the key the function is stopped.
E	By pressing this key it is possible to set up the motor to a suction speed at 60 CFM.	24 appears and the LEDs extinguish one by one. By pressing the key the function is stopped
F	By pressing this key it is possible to set the delayed shutdown of the motor and the lighting to 30 minutes. This function is suitable for a complete elimination of residual cooking odours. Functioning only when the motor is on(not during the 24H-function or intensive function). By pressing the key the function is stopped	A flashing clock -symbol appears. By pressing the key the function is stopped
G	By pressing this key for about 2 seconds it is possible to reset the filter saturation alarm	After 100 working hours a drop -symbol appears. Metal grease filters have to be washed. After 200 working hours C appears. Charcoal filters have to be replaced.
H	By pressing this key the intensity of the lighting system can be decreased.	
I	Switches on/off the lighting system at the maximum intensity.	
L	By pressing this key the intensity of the lighting system can be increased.	

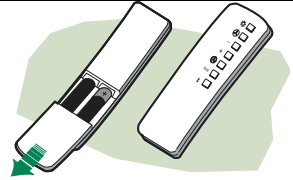
Keyboard lock: it is possible to jam the keyboard when, for example, cleaning the glass. The motor and lights are switched off.

By pressing the **F**-key (Delay) for about 5 seconds the keyboard block can be activated or deactivated. This function is confirmed by a Beep and by moving motor LEDs on display.

CARE

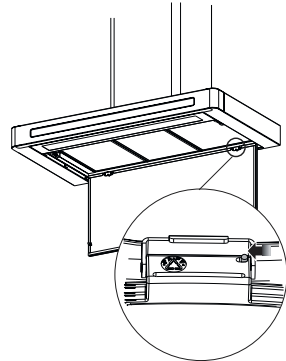
REMOTE CONTROL (OPTIONAL)

This range hood can be controlled by a multi-function remote control available through your local Franke Dealer.



Cleaning the Comfort Panels

- Pull the Comfort Panel to open it.
- Disconnect the panel from the hood canopy by sliding the fixing pin lever.
- The comfort panel must never be washed in a dishwasher.
- Clean the outside using a damp cloth and mild liquid detergent.
- Clean the inside as well using a damp cloth and neutral detergent; do not use wet cloths or sponges, or jets of water; do not use abrasive substances.
- When the above operation has been completed, hook the panel back to the hood canopy and close it by turning the knob in the opposite direction.



Metal grease filters

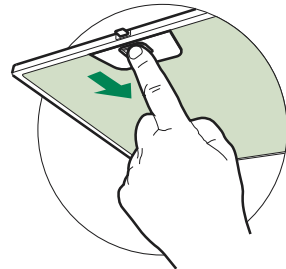
Metal filters can be washed also in a dishwasher. They need to be washed every time a **drop**-symbol appears in the display or at least every two months. In case of very frequent use these have to be washed even more often.

Alarm reset

- Press the **G**-key for at least 2 seconds.

Cleaning

- Open the comfort panel.
- Remove the filters one by one by pushing them backwards and pulling them down contemporaneously.
- Wash the filters. Pay attention not to bend them. Make sure that filters are completely dry before putting them into their seat. (a possible modification of the filter surface doesn't influence its efficiency).
- Place the filters again into their seats and make sure that the handle of the filter remains outside.
- Close the comfort panel.



Charcoal filter (ductless version)

This filter cannot be washed or regenerated. It must be replaced when the **C** appears on the display or at least once every 4 months. The filter saturation alarm has to be activated already before.

Activation of the alarm signal

- In the recycling version hoods the filter saturation alarm must be activated during the installation or later.
- Switch off the hood and the lights.
- Press the **E**-key for about **5 seconds** until the last two segments of the motor LEDs are lit on the display.
- By releasing the **E**-key the clock icon starts to flash.
- Within **3 seconds** press the **D**-key to activate/deactivate charcoal filter saturation alarm.
 - **C**-symbol lit - charcoal filter saturation alarm **ACTIVATED**.
 - **C**-symbol unlit - charcoal filter saturation alarm **DEACTIVATED**.

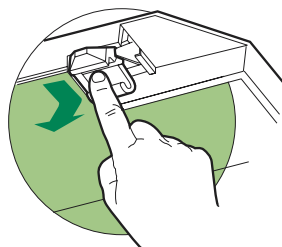
SUBSTITUTION OF THE CHARCOAL FILTER

Alarm reset

- Switch off the motor and the lighting system.
- Press the **G**-key for at least 2 seconds.

Substitution of the filter

- Open the confort panel.
- Remove the metal grease filters.
- Remove the charcoal filter as indicated in the picture.
- Place the filter again into its seat.
- Place again the metal grease filters into their place.



Lighting

LIGHT REPLACEMENT

20 W halogen light.

- Remove the snap-on lamp cover by levering it from under the metal ring, supporting it with one hand.
- Remove the halogen lamp from the lamp holder by pulling gently.
- Replace the lamp with a new one of the same type, making sure that you insert the two pins properly into the housings on the lamp holder.
- Replace the snap-on lamp cover.

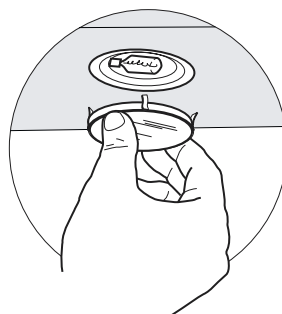


TABLE DES MATIÈRES

AVERTISSEMENT ET CONDITIONS N ÉCESSAIRES	15
CONSEILS ET SUGGESTIONS	18
DIMENSIONS et PRINCIPALES PIÈCES.....	19
INSTALLATION	21
UTILISATION.....	25
SOIN ET ENTRETIEN.....	26

LIRE ET CONSERVER CES INSTRUCTIONS

L'installateur doit laisser ces instructions au propriétaire.

Le propriétaire doit conserver ces instructions en vue d'une utilisation subséquente et pour le bénéfice de l'inspecteur en électricité.

LISEZ BIEN CETTE FICHE AVANT D'UTILISER LA HOTTE

AVERTISSEMENT – POUR MINIMISER LE RISQUE D'UN FEU DE GRAISSE SUR LA CUISINIÈRE : Ne jamais laisser un élément de la surface fonctionner sans surveillance à la puissance de chauffage maximale; un renversement/débordement de matière grasseuse pourrait provoquer un incendie ou causer de la fumée. Utiliser toujours une puissance de chauffage moyenne ou basse pour faire chauffer de l'huile. Veiller à toujours faire fonctionner le ventilateur de la hotte lors d'une cuisson avec une puissance de chauffage élevée ou lors de la cuisson d'un mets à flamber (i.e. Crêpes Suzette, Cerries Jubilee, Peppercorn Beef Flambé). Nettoyer fréquemment les ventilateurs d'extraction. Veiller à ne pas laisser de la graisse s'accumuler sur les surfaces du ventilateur ou des filtres. Utiliser toujours un ustensile de taille appropriée.

AVERTISSEMENT – POUR RÉDUIRE LE RISQUE DE DOMMAGES CORPORELS APRÈS LE DÉCLENCHEMENT D'UN FEU DE GRAISSE SUR LA CUISINIÈRE, APPLIQUER LES RECOMMANDATIONS SUIVANTES : Blessures en cas de feu suivre les recommandations suivantes : ÉTOUFFEZ LE FEU AVEC UN COUVERCLE MÉTALLIQUE ET FERMEZ LE BRÛLEUR. FAITES ATTENTION DE NE PAS VOUS BRÛLER. SI LE FEU NE S'ÉTEINT PAS IMMÉDIATEMENT, quittez les lieux et appelez les pompiers. ne touchez jamais une casserole en flammes – VOUS POURRIEZ SUBIR DES BLESSURES. N'UTILISEZ JAMAIS DE L'EAU OU UN TORCHON MOUILLÉ POUR ÉTEINDRE LE FEU – CE QUI POURRAIT CAUSER UNE EXPLOSION DE VAPEUR. vapeur brûlante. Utiliser un extincteur SEULEMENT si : 1. Il s'agit d'un extincteur de classe ABC, dont on connaît le fonctionnement. 2. Il s'agit d'un petit feu encore limité à l'endroit où il s'est déclaré. 3. Les pompiers ont été contactés. 4. Il est possible de garder le dos orienté vers une sortie pendant l'opération de lutte contre le feu.

N'utilisez un extincteur que si : 1. Vous avez sous la main un modèle ABC et vous comment l'utiliser correctement. 2. Le feu est faible et peu répandu. 3. Les pompiers sont déjà prévenus. 4. Vous conservez une sortie derrière vous.

TOUTE OUVERTURE DANS LE MUR OU LE PLANCHER À PROXIMITÉ DE LA HOTTE DOIT ÊTRE SCELLÉ

Gardez 24 po. de hauteur entre le bas de la hotte et la surface de cuisson. Consultez la fiche technique avant de découper les armoires. **INSTALLATION DANS UNE MAISON MOBILE.** L'installation de cette hotte doit être conforme aux règlements de Manufactured Home Construction and Safety Standards, Titre 24 CFR, Section 3280 (anciennement Federal Standard for Mobile Home Construction and Safety, Titre 24, HUD, Section 280). Le branchement électrique s'effectue avec un raccordement à 4 fils. Consultez la Fiche Technique électrique.

EXIGENCES DE VENTILATION (ÉVACUATION)

ATTENTION – Afin de réduire le risque d'incendie et pour bien évacuer l'air, assurez-vous de faire échapper l'air des conduits à l'extérieur – Ne jamais évacuer l'air vers des espaces comportant des murs ou des plafonds ou dans le grenier, la galerie ou le garage.

Déterminer la méthode d'évacuation de l'air la plus appropriée pour l'application. La sortie d'évacuation : soit par le mur, soit par le toit. Utilisez une longueur de tuyauterie minimale, incluant le moins de coudes possible pour une plus grande efficacité. Le calibre de la tuyauterie doit être uniforme. N'installez jamais 2 coudes ensemble. Scellez bien tous les joints avec un ruban adhésif métallique à l'intérieur et scellez bien le clapet extérieur en utilisant du calfeutrage.

L'utilisation d'un tuyau d'évacuation flexible n'est pas recommandée. Les tuyaux flexibles créent une contre-pression et de la turbulence, ce qui réduit la puissance d'évacuation.

Veillez à ce que l'espace pour le tuyau soit amplement suffisant, ainsi vous n'aurez pas à découper les supports de mur intérieur. On ne doit couper une solive ou un poteau de colombage que lorsque cela est absolument nécessaire. S'il est nécessaire de couper une solive ou un poteau du colombage, on doit construire une structure de support appropriée.

AVERTISSEMENT – Afin de réduire le risque d'incendie, utilisez seulement des conduits en métal.

AVERTISSEMENT

- Le système d'évacuation DOIT se terminer à l'extérieur.
- N'ÉVACUEZ PAS le conduit dans un grenier ou dans tout autre espace fermé.
- N'UTILISEZ PAS un clapet de sècheuse à 4 pouces.
- ON DÉCONSEILLE l'emploi de conduit d'évacuation flexible.
- N'ENCOMBREZ PAS la circulation d'air.
- Le fait de ne pas respecter ces avertissements pourrait occasionner un incendie.

FICHE TECHNIQUE ÉLECTRIQUE

Le raccordement électrique doit se faire avec un circuit séparé de 15 ampères fusibles à 120 V, 60 Hz, courant alternatif. Nous recommandons un coupe-circuit. La taille du fusible doit se conformer aux codes municipaux suivant la spécification électrique sur la plaque intérieure. **CET APPAREIL NE DOIT ÊTRE CONNECTÉ QU'EN UTILISANT DES FILS EN CUIVRE.** Le diamètre du fil devra aussi se conformer aux règlements du code national électrique, ANSI/NFPA 70, ainsi qu'aux règlements locaux et les spécifications de cet appareil. On peut obtenir ces informations auprès de :

National Fire Protection Association
Batterymarch Park
Quincy, Massachusetts 02269

Raccordez cet appareil directement au coupe-circuit(ou au disjoncteur) par l'intermédiaire de câble à conducteurs de cuivre, à blindage métallique flexible ou à gaine non-métallique. Un serre-câble **de 1/2 po.** (12,7 mm) (homologation UL ou CSA) doit être installé à chaque extrémité du câble d'alimentation (sur la hotte et sur le boîtier de distribution).

Faites un trou de 1 1/4 po. dans le mur. S'il s'agit d'un mur en bois, sablez bien le trou. Tandis qu'un trou dans le métal demande un oeillet (passe-fil).

AVERTISSEMENT – POUR RÉDUIRE LE RISQUE D'INCENDIE OU DE CHOC ÉLECTRIQUE, ne pas utiliser ce ventilateur en conjonction avec un dispositif de réglage de vitesse à semi-conducteurs.

AVERTISSEMENT – POUR MINIMISER LES RISQUES D'INCENDIE, CHOC ÉLECTRIQUES OU BLESSURES, OBSERVER CETTE RÈGLE : suivez strictement les recommandations du fabricant ; en cas de nécessité veuillez le contacter.

Avant d'entreprendre un travail d'entretien ou de nettoyage, interrompre l'alimentation de la hotte au niveau du tableau de disjoncteur, et verrouiller le tableau de disjoncteur pour empêcher tout rétablissement accidentel de l'alimentation du circuit. Lorsqu'il n'est pas possible de verrouiller le tableau de disjoncteur une étiquette d'avertissement proéminent interdisant le rétablissement de l'alimentation.

IMPORTANT : Pour une ventilation de type général seulement. Ne pas utiliser cet appareil pour l'évacuation de matières ou vapeurs explosives.

AVERTISSEMENT – POUR MINIMISER LES RISQUES D'INCENDIE, CHOC ÉLECTRIQUES OU BLESSURES, OBSERVER CETTE RÈGLE : l'installation et le raccordement électrique ne doivent être effectués que par un technicien(s) qualifié, selon tous les codes municipaux.

Afin d'obtenir un rendement maximal en ce qui a trait à la combustion ainsi qu'à l'évacuation des gaz par la conduite de cheminée et pour qu'il n'y ait pas de reflux des gaz de combustion, une bonne aération est nécessaire pour tous les appareils à combustion. Suivez les conseils et mesures de sécurité du fournisseur tels que ceux publiés par la National Fire Protection Association (NFPA) et l'American Society for Heating, Refrigeration and Air Condition Engineers (ASHRAE) ainsi que les codes municipaux.

Lors d'opération de découpage et de perçage dans un mur ou un plafond, veiller à ne pas endommager les câblages électriques ou canalisations qui peuvent s'y trouver.

Un conduit de ventilation doit toujours se terminer à l'extérieur.

AVERTISSEMENT

- Une prise à la terre est nécessaire pour cette hotte.
- **N'UTILISEZ PAS** un tuyau à l'eau froide pour la mise à la terre s'il est connecté à du plastique, un joint non métallique ou autre matériel.
- **N'EFFECTUEZ PAS** la mise à la terre sur la conduite de gaz.
- **NE PAS INSTALLER** un fusible dans le conducteur neutre ou le conducteur de liaison à la terre.
- Vérifiez avec un électricien qualifié que la hotte est bien mise à la terre.
- Le fait de ne pas respecter ces avertissements pourrait occasionner un incendie.

CONSEILS ET SUGGESTIONS

⚠ Les instructions d'utilisation s'applique à plusieurs versions de ce type d'appareil. En conséquence, il est possible que vous trouviez des descriptions de caractéristiques ne s'appliquant pas à votre appareil.

INSTALLATION

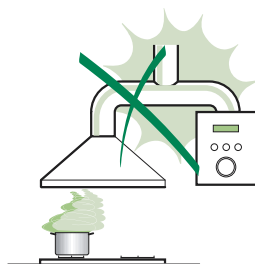
- Le fabricant décline toute responsabilité en cas de dommage dû à une installation inadéquate ou non conforme aux règles de l'art.
- Vérifiez que la tension du secteur correspond à la valeur qui figure sur la plaquette apposée à l'intérieur de la hotte.
- L'alimentation électrique doit être adéquatement et suffisamment mise à la terre. Connectez la hotte à la sortie de l'air aspiré à l'aide d'une tuyauterie d'un diamètre ou supérieur à 6 po. Le parcours de la tuyauterie doit être le plus court possible.
- Évitez de connecter la hotte à des conduites d'évacuation de fumées issues d'une combustion tel que une chaudière, une cheminée, etc.
- Si vous utilisez des appareils qui ne fonctionnent pas à l'électricité dans la pièce ou est installée la hotte (par exemple : des appareils fonctionnant au gaz), vous devez prévoir une aération suffisante de l'espace. Si la cuisine en est dépourvue, pratiquez une ouverture qui communique avec l'extérieur pour garantir l'infiltration de l'air pur.

UTILISATION

- La hotte a été conçue exclusivement pour un usage domestique, dans le but d'éliminer les odeurs de la cuisine.
- Ne jamais utiliser la hotte de manière abusive.
- Ne pas laisser les flammes libres à forte intensité lorsque la hotte est en service.
- Toujours régler les flammes de manière à éviter toute sortie latérale de ces dernières par rapport au fond des casseroles.
- Contrôler les friteuses lors de l'utilisation, car l'huile surchauffée pourrait s'enflammer.
- La hotte ne doit pas être utilisée par des enfant ou des personnes ne pouvant pas en assurer une utilisation adéquate

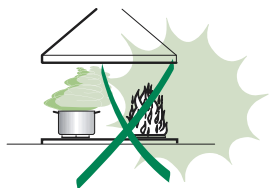
ENTRETIEN

- Avant de procéder à toute opération d'entretien, retirer la hotte en la débranchant ou en la mettant hors-circuit.
- Effectuer un entretien scrupuleux et en temps voulu des filtres.
- Pour le nettoyage des surfaces de la hotte, il suffit d'utiliser un linge humide et un détergent liquide neutre.



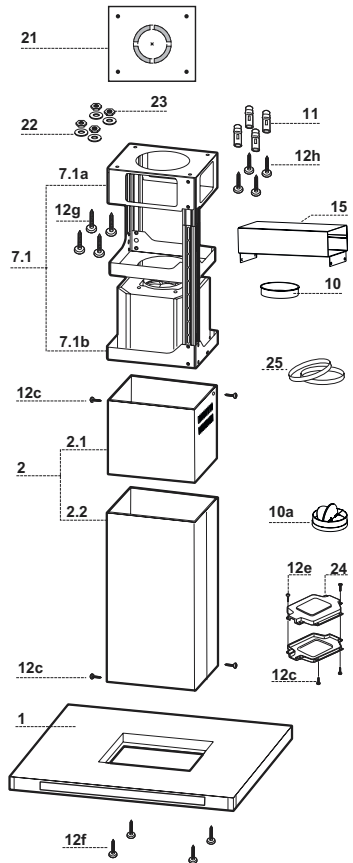
PROTECTEUR THERMIQUE

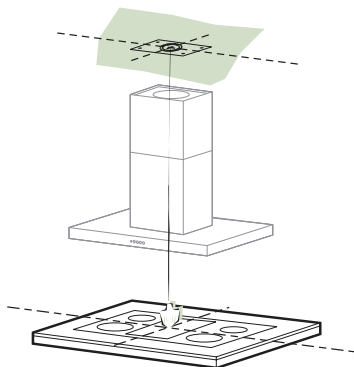
Cette hotte est équipée d'un protecteur thermique afin de prévenir le surchauffage. Si la hotte s'éteint en cours d'utilisation, appuyez sur le bouton en marche/arrêt afin de remettre la hotte en position Arrêt. Attendez environ **90 minutes**, puis appuyez de nouveau sur le bouton en marche/arrêt pour redémarrer la hotte.



Composantes

Réf.	Qté	Pièces du produit
1	1	Corps de la hotte équipé de : commandes, lumière, groupe ventilateur, filtres
2	1	Cheminée télescopique formée de :
2.1	1	Cheminée supérieure
2.2	1	Cheminée inférieure
7.1	1	Treillis télescopique incluant aspirateur, formé de :
7.1a	1	Treillis supérieur
7.1b	1	Treillis inférieur
10	1	Rosace \varnothing 6"
10a	1	Clapet d'air
15	1	Raccord de sortie d'air
24	2	Boîte connexions
25	2	Colliers de serrage
Réf.	Qté	Pièces servant à l'installation
11	4	Chevilles (si fournies)
12c	6	Vis 1/8" x 1/4"
12e	2	Vis 1/8" x 3/8"
12f	4	Vis M1/4" x 3/8"
12g	4	Vis M1/4" x 3" 1/8"
12h	4	Vis 3/16" x 2" 3/4"
21	1	Gabarit de perçage
22	4	Rondelles de 1/4" int. dia
23	4	Écrous M1/4"
Qté	Documentation	
1	Manuel d'instructions	





Perçage du plafond / de l'étagère et installation du treillis

PERÇAGE DU PLAFOND / DE L'ÉTAGÈRE

- À l'aide d'un fil à plomb, faire une marque identifiant le centre de la cuisinière sur le plafond ou l'étagère de support.
- Placer le gabarit de perçage **21** sur le plafond ou l'étagère de support, en prenant soin de vous assurer que le gabarit est à l'endroit approprié en alignant les axes de celui-ci avec ceux de la hotte.
- Faire des marques au centre des trous sur le gabarit.
- Percer les trous aux endroits ainsi identifiés
 - Pour les plafonds en béton : en fonction des goujons pour béton utilisés.
 - Pour les plafonds en briques avec chambre à air, avec épaisseur résistante de 13/16" : percer $\varnothing 3/8"$ (insérer immédiatement les chevilles **11**, si fournies).
 - Pour les plafonds en poutrage en bois : en fonction des vis à bois utilisées.
 - Étagère en bois : $\varnothing 1/4"$.
 - Passage du câble électrique d'alimentation : $\varnothing 3/8"$.
 - Sortie air (version aspirante) : en fonction du diamètre de la connexion avec les tuyaux d'évacuation externe.
- Insérer deux vis en les croisant et en laissant 3/16" de distance par rapport au plafond :
 - pour le béton, utiliser des goujons pour béton (non fournis).
 - pour briques percées, ayant une épaisseur résistante d'environ 13/16", utiliser les vis **12h**.
 - pour le poutrage en bois, 4 vis à bois (non fournies).
 - pour étagère en bois, 4 vis **12g** avec rondelles **22** et écrous **23**.

Installation du treillis

- Dévisser les deux vis qui fixent la cheminée inférieure et sortir cette dernière du treillis (depuis la partie inférieure).
- Dévisser les deux vis qui fixent la cheminée supérieure et sortir cette dernière du treillis (depuis la partie supérieure).

Si l'on souhaite régler la hauteur du treillis, effectuer les opérations suivantes :

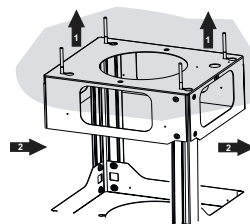
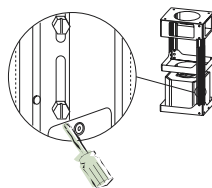
- Dévisser les huit vis métriques qui unissent les deux colonnes, qui se trouvent sur les côtés du treillis.
- Régler la hauteur souhaitée du treillis et revisser les vis qui ont été précédemment retirées.
- Insérer la cheminée supérieure depuis le haut et la laisser libre sur le treillis.
- Soulever le treillis, encastrer les oeillets sur les vis et faire coulisser jusqu'à la butée.
- Serrer les deux vis et visser les deux autres vis fournies avec l'appareil.

Avant de serrer définitivement les vis, il est possible d'effectuer des réglages, en déplaçant le treillis, tout en contrôlant que les vis ne sortent pas du logement de l'oeillet de réglage.

- L'installation du treillis doit être solide, en fonction du poids de la hotte et des contraintes provoquées par les poussées latérales occasionnelles auxquelles l'appareil sera soumis.

Après avoir effectué l'installation, vérifier que la base soit stable, même si le treillis est soumis à des contraintes de flexion.

- Dans tous les cas où le plafond ne devait pas être suffisamment robuste en correspondance du point d'accrochage, l'installateur devra se charger de le rendre plus solide au moyen de plaques et contre-plaques spéciales, ancrées sur les parties structurellement résistantes.



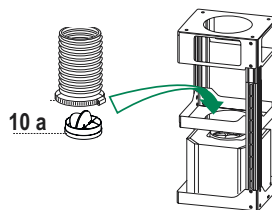
Note: Le corps de la hotte devrait être fixé aux solives du plafond. Si nécessaire, installer un support en bois derrière la paroi sèche, à mi-chemin entre deux solives. Cela fournira la structure et le soutien nécessaire au montage.

Branchements

SORTIE D'AIR VERSION ASPIRANTE

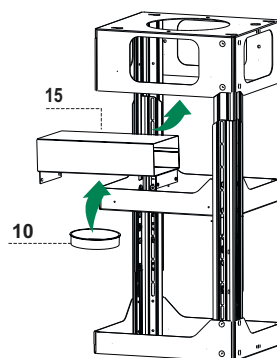
En cas d'installation en version aspirante, brancher la hotte à la tuyauterie de sortie via un tube rigide de 6 po. (non fourni)

- Installer le clapet d'air **10** \varnothing 6 po.
- Fixer le tube par des colliers appropriés.



SORTIE D'AIR VERSION FILTRANTE

- Fixer le raccord **15** au treillis à l'aide des 4 vis fournies.
- Fixer la rosace **10** à l'ouverture inférieure du raccord **15**.
- Joindre la sortie d'air de la hotte à la rosace à l'endroit inférieure de la jonction à l'aide d'un tube rigide de 6'' (non fourni).

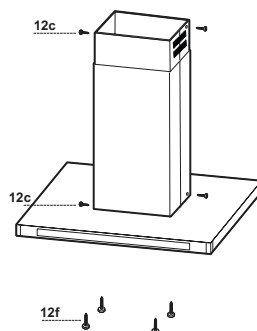


Montage cheminée – Montage du corps de la hotte

- Positionner la cheminée supérieure et fixer cette dernière dans la partie supérieure du treillis à l'aide de 2 vis **12c**.
- De la même façon, positionner la cheminée inférieure et fixer cette dernière dans la partie inférieure du treillis à l'aide de 2 vis **12c**.

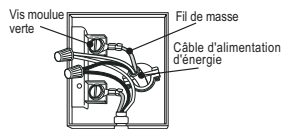
Avant de fixer le corps de la hotte au treillis :

- Retirer les filtres anti-graisse du corps de la hotte.
- Retirer les éventuels filtres anti-odeur au charbon actif.
- Ensuite, fixer par le bas, au moyen de 4 vis **12f**, le corps de la hotte au treillis.

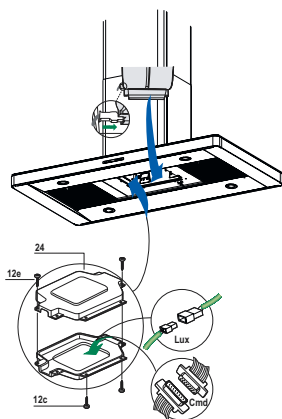


BRANCHEMENT ÉLECTRIQUE

- Retirer le couvercle du compartiment de filage à l'aide d'un tournevis Phillips.
- Passer le câble d'alimentation dans la pastille enfonçable. Brancher le câble d'alimentation sur la hotte. Attacher le conducteur de mise à la terre du câble d'alimentation à la vis verte fournie. Attacher le fil blanc du câble d'alimentation au fil blanc de la hotte avec une cosse (connecteur de fils). Attacher le fil noir du câble d'alimentation au fil noir de la hotte avec une cosse (connecteur de fils).
- Replacer le couvercle.



- Connecter le Connecteur des Commandes **Cmd**.
- Connecter le Connecteur de l'Eclairage **Lux**.
- Ranger les Connecteurs dans la Boîte de protection **24** en la fermant à l'aide des 2 Vis **12e** fournies avec l'appareil.
- Fixer la Boîte de protection au Corps de la Hotte à l'aide des 2 Vis **12c** fournies avec l'appareil.



UTILISATION



Tableau de commande

touch es	Fonctions	Affichage
A	Allume ou éteint le moteur du ventilateur à la dernière vitesse sélectionnée.	Indique la vitesse sélectionnée.
B	Diminue la vitesse du ventilateur.	Le nombre de LEDs allumées diminue.
C	Augmente la vitesse du ventilateur.	Le nombre de LEDs allumées augmente.
D	En appuyant sur cette touche, on peut démarrer la vitesse intensive à partir de n'importe quelle vitesse sélectionnée, à l'exception de la fonction à retardement et de la fonction 24 h. Cette vitesse a été programmée pour 10 minutes. Passé ce temps le système reviendra à la dernière vitesse sélectionnée. Cette fonction est recommandée dans le cas où la fumée et les odeurs de cuisine doivent être éliminées rapidement et immédiatement. En réappuyant sur cette touche, la fonction est stoppée.	I clignote et les LEDs sont toutes allumées.
E	En appuyant sur cette touche, on peut régler le moteur à une vitesse d'aspiration de 60 pi/min. En réappuyant sur cette touche, la fonction est stoppée.	24 apparaît et les LEDs s'éteignent une à une.
F	En appuyant sur cette touche, on peut régler l'extinction à retardement du moteur et de l'éclairage à 30 minutes. Cette fonction est utile pour une élimination complète des odeurs de cuisine restantes. Fonctionne seulement quand le moteur est en marche (excepté durant la fonction 24 h ou vitesse intensive). En réappuyant sur cette touche, la fonction est stoppée.	Le symbole clignotant d'une horloge apparaît.
G	En appuyant sur cette touche pendant environ 2 secondes, on peut remettre l'alarme de saturation du filtre.	Après 100 heures de fonctionnement, le symbole d'une goutte apparaît. Les filtres à graisse en métal doivent être nettoyés. Après 200 heures de fonctionnement, C apparaît. Les filtres à charbon doivent être remplacés.
H	En appuyant sur cette touche, on peut diminuer l'intensité du système d'éclairage.	
I	Allume le système d'éclairage à pleine intensité. Éteint le système d'éclairage	
L	En appuyant sur cette touche, on peut augmenter l'intensité du système d'éclairage.	

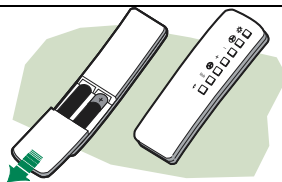
Verrouillage du tableau de commande : il est possible de verrouiller le tableau de commande pour laver la vitre, par exemple. Le moteur et les lumières sont, alors, éteints.

En appuyant sur la touche **F** (extinction à retardement) pendant environ 5 secondes, on peut activer ou désactiver le verrou. L'activation du verrou est confirmée par un bip et le mouvement des LEDs du moteur sur le tableau d'affichage.

SOIN ET ENTRETIEN

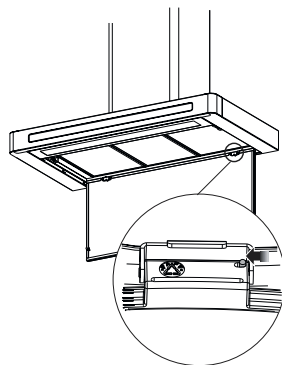
TÉLÉCOMMANDE (EN OPTION)

Cet appareil peut être contrôlé à l'aide d'une télécommande alimentée par une pile alcaline carbone-zinc de type AAA (1.5 volt).



Nettoyage des Comfort panels (panneaux de confort)

- Tirer le Comfort panel pour l'ouvrir.
- Détacher le panneau de la hotte en tournant le levier de l'axe de fixation.
- Le Comfort panel ne doit jamais être mis au lave-vaisselle.
- Nettoyer l'extérieur avec un chiffon humide et un détergent liquide doux.
- Nettoyer l'intérieur aussi avec un chiffon humide et un détergent doux. Ne jamais utiliser de linges mouillés, d'éponges ou de jets d'eau. Ne jamais utiliser d'abrasifs.
- Lorsque les opérations ci-dessus sont terminées, raccrocher le panneau à la hotte et fermer en faisant tourner le levier dans le sens inverse.



Filtres à graisse en métal

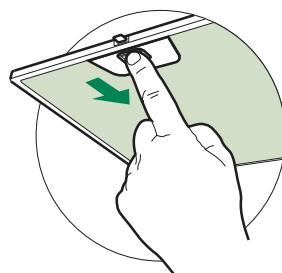
Les filtres en métal peuvent aller au lave-vaisselle. Ils doivent être lavés chaque fois que le symbole d'une goutte apparaît sur le tableau d'affichage, sinon au moins tous les deux mois. Si l'on en fait un usage intensif, les filtres doivent être lavés encore plus souvent.

Remettre l'alarme

- Appuyer sur la touche **G** pendant au moins 2 secondes.

Nettoyage

- Ouvrir le Comfort panel.
- Enlever les filtres un par un en les poussant vers l'arrière et en les tirant vers le bas simultanément.
- Laver les filtres. Attention à ne pas les plier. S'assurer que les filtres soient totalement secs avant de les remettre en place. Vérifier que les poignées du filtre soient à l'extérieur. Une modification possible de la surface du filtre n'a pas d'incidence sur son efficacité.
- Refermer le Comfort panel.



Filtres à charbon (version filtrante)

Ce filtre ne peut être lavé ou régénéré. Il doit être remplacé lorsqu'un **C** apparaît sur le tableau d'affichage, sinon au moins tous les quatre mois. L'alarme de saturation du filtre doit avoir été activée auparavant

Activation du signal d'alarme

- Pour les hottes à recyclage, l'alarme de saturation du filtre doit être activée pendant l'installation ou plus tard.
- Éteindre la hotte et l'éclairage.
- Appuyer sur la touche **E** pendant environ 5 secondes jusqu'à ce que les deux derniers segments des LEDs du moteur soient allumés sur le tableau d'affichage.
- En relâchant la touche **E** le symbole de l'horloge commence à clignoter.
- En l'espace de 3 secondes, appuyer sur la touche **D** pour activer ou désactiver l'alarme de saturation du filtre à charbon.
 - Le symbole **C** allumé : alarme de saturation du filtre à charbon **ACTIVÉ**
 - Le symbole **C** éteint : alarme de saturation du filtre à charbon **DÉSACTIVÉ**

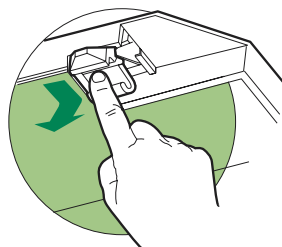
REPLACEMENT DU FILTRE À CHARBON

Remettre l'alarme

- Éteindre le moteur et le système d'éclairage.
- Appuyer sur la touche **G** pendant au moins 2 secondes.

Remplacement du filtre

- Ouvrir le Confort panel.
- Enlever les filtres à graisse en métal.
- Enlever les filtres à charbon comme indiqué sur le dessin.
- Remettre les nouveaux filtres à charbon à leur place.
- Remettre les filtres à graisse en métal à leur place.

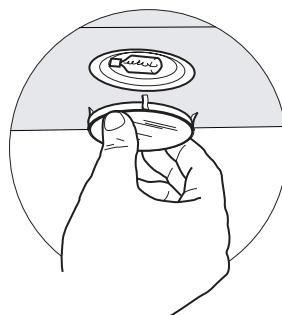


Éclairage

REPLACEMENT D'UNE AMPOULE

Ampoule halogène de 20 W.

- Retirer le couvercle de la lampe encastrée en le délogant par derrière le cercle de métal. Le retenir d'une main.
- Sortir l'ampoule de la douille en tirant doucement.
- Remplacer l'ampoule par une neuve du même modèle, en s'assurant que les deux postes s'insèrent correctement aux endroits prévus à cet effet.
- Replacer le couvercle de la lampe encastrée.





436003904_01 - 070621

Free Manuals Download Website

<http://myh66.com>

<http://usermanuals.us>

<http://www.somanuals.com>

<http://www.4manuals.cc>

<http://www.manual-lib.com>

<http://www.404manual.com>

<http://www.luxmanual.com>

<http://aubethermostatmanual.com>

Golf course search by state

<http://golfingnear.com>

Email search by domain

<http://emailbydomain.com>

Auto manuals search

<http://auto.somanuals.com>

TV manuals search

<http://tv.somanuals.com>