



# Built-In Downdraft Cooktop

RC30DG60PS

30" Gas



## Product Dimensions

Width	30"
Depth	21-13/32"
Height (Min.)/(Max.)	17-13/16"/23-3/8"

## More Easy-To-Use Features

### Low Simmer Burner

Perfect for delicate foods and sauces.

### Stainless Steel Recessed Cooktop

### 3 Ducting Options

### Dishwasher-Safe Filter

Available in:



Stainless  
(S)

Burners	BTU
Right Front	12,000
Right Rear	5,000
Left Front	9,500
Left Rear	17,000

## Signature Features



### Downdraft System

Whisks away odors and smoke without the need for overhead ventilation.



### PowerPlus® Boil

17,000 BTU sealed burner boils water faster.



### Pro-Select® Controls

Precise control at your fingertips.

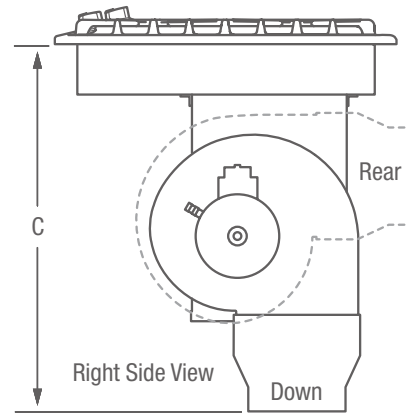
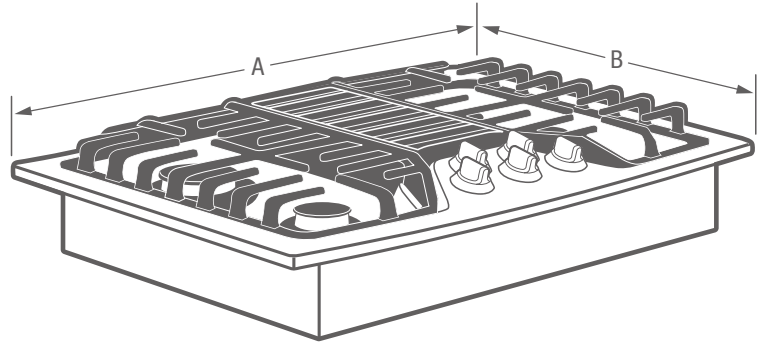


### Continuous Grates

Continuous grates make it easy to move heavy pots and pans between burners without lifting.

Features	
Controls	Pro-Select®
Surface Type	Stainless Steel Recessed
Sealed Gas Burners	Yes
Grates	Continuous Cast Iron w/Black Matte Finish
Right Front Burner (BTU)	12,000
Right Rear Burner (BTU)	5,000
Left Front Burner (BTU)	9,500
Left Rear Burner (BTU)	17,000
Control Location	Center
Knob Color	Stainless
Knob Type	Cast Metal
Nominal Width	30"
Installation Type	Built-In Downdraft
Style	In-Cabinet
Air Discharge	Rear, Down
Air Delivery (CFM)	500
Intake Area	55 Sq. In.
Blower Type	Centrifugal
Sound Level (dBA)	71
Fan Speeds	3-Speed
Dishwasher-Safe Stainless Steel Filters	1
Exhaust Duct	External
Duct Required	3-1/4" x 10" or 6" Round
Specifications	
Power Supply Connection Location	Right Rear
Gas Supply Connection Location	Right Rear
LP Gas Conversion Kit	Included
Voltage Rating	120V / 60 Hz / 15A
Amps @ 120 Volts <sup>1</sup>	15
Minimum Circuit Required (Amps)	15
Approved for Electric Single Wall Oven Combination Installation	
Shipping Weight (Approx.)	89 Lbs.

<sup>1</sup>For use on adequately wired 120V, dedicated circuit having 2-wire service with a separate ground wire. Appliance must be grounded for safe operation.



**NOTE:** For planning purposes only. Always consult local and national electric and gas codes. Refer to Product Installation Guide for detailed installation instructions on the web at [frigidaire.com](http://frigidaire.com).



Product Dimensions	
A - Width	30"
B - Depth	21-13/32"
C - Height (Min.)/(Max.) <sup>2</sup>	17-13/16"/23-3/8"

Cutout Dimensions	
Width	28"
Depth	19-1/8"
Height (Min.)/(Max.)	17-13/16"-23-3/8"

<sup>2</sup>Overall height determined by discharge direction.

Granite Countertop Installation Kit available.

Accessories information available on the web at [frigidaire.com](http://frigidaire.com)

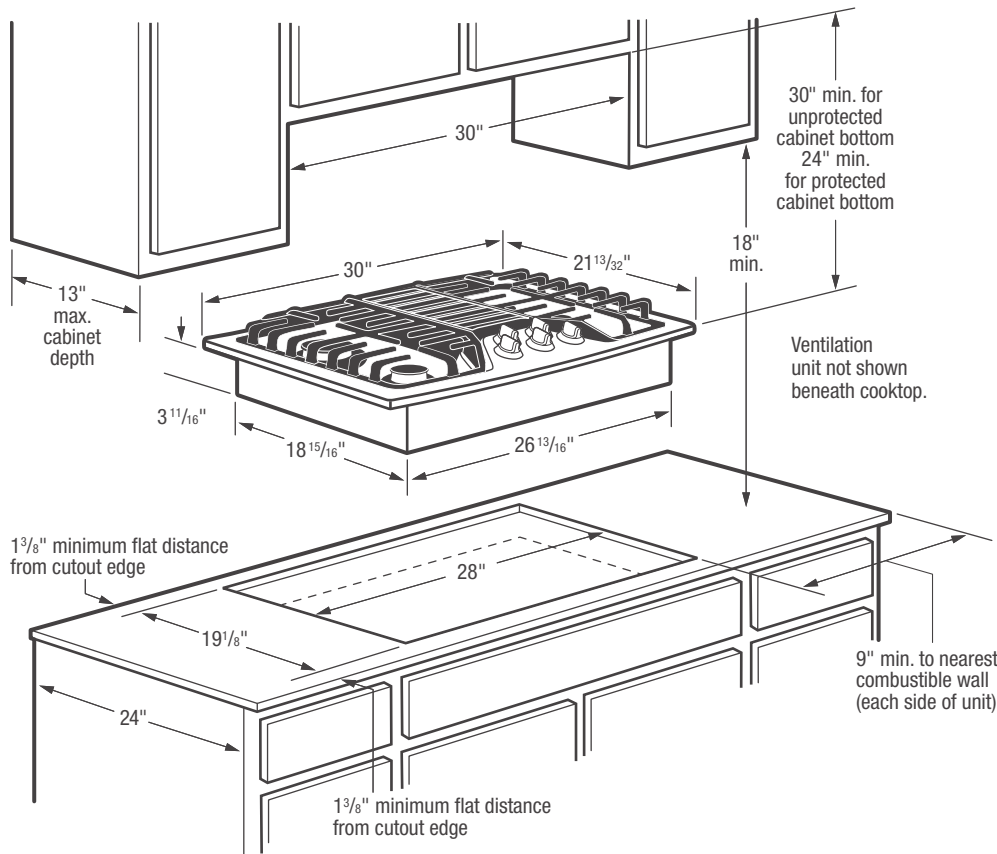
## FRIGIDAIRE

USA • 10200 David Taylor Drive • Charlotte, NC 28262 • 1-800-FRIGIDAIRE • [frigidaire.com](http://frigidaire.com)  
 CANADA • 5855 Terry Fox Way • Mississauga, ON L5V 3E4 • 1-800-265-8352 • [frigidaire.ca](http://frigidaire.ca)

RC30DG60P 07/13

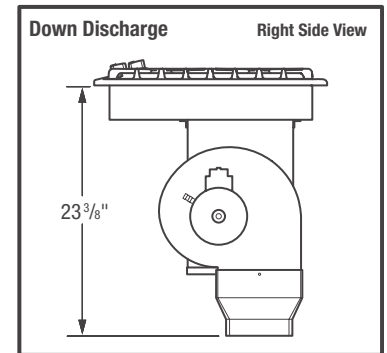
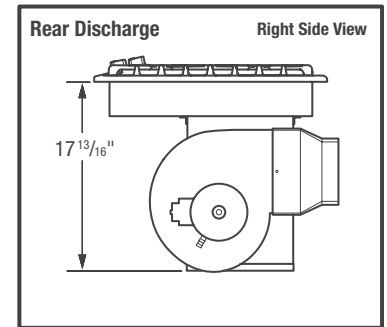
Download from [www.Sematerials.com](http://www.Sematerials.com) All Manuals Search And Download.

Specifications subject to change.



**30" Gas Cooktop with Ventilation Unit**

For ventilation unit ductwork preparation and installation planning information, refer to 30" Gas Cooktop Ductwork Preparation page.



**Built-In Cooktop Specifications**

- Cooktop Shipping Weight (approx.) - 89 Lbs.
- Voltage Rating - 120V/60 Hz/15 Amps
- For use on adequately wired 120V, dedicated circuit having 2-wire service with a separate ground wire. Appliance must be grounded for safe operation.
- Amps @ 120 Volts = 15
- Always consult local and national electric and gas codes.
- For detailed electrical and gas supply locations, refer to 30" Gas Cooktop (RC30DG60P) Ductwork Preparation page.
- Locate cooktop between wall studs or floor joists so that ductwork may be installed properly.
- Installing cooktop into pre-existing base cabinets may require modifications. Cabinets with drawers require drawers be removed and drawer fronts attached to cabinet face. Verify internal length and width of cabinet base because sides or back wall may need cut out and corner braces removed to accommodate unit.
- Countertop opening MUST be cut based on dimensions shown, cut squarely with sides parallel to each other and with front and rear perpendicular to cabinet sides.
- Pre-formed countertops with raised lip and radius at base of backsplash may not allow enough flat area for proper installation. Minimum 1-3/8" distance required from rear and front edge of cooktop cutout.

- Provide adequate gas supply. Cooktop ships with 3/4" factory regulator.
- LP Gas conversion kit supplied.
- Overhead cabinetry should not exceed a 13" maximum depth.
- Absolute minimum horizontal distance between overhead cabinets installed to either side of appliance must be no less than 36".
- Allow 30" minimum clearance between top of cooktop platform and bottom of unprotected wood or metal overhead cabinet.
- Allow 9" minimum required clearance from left edge and right edge of cooktop to nearest combustable wall on each side.

**Ductwork Preparation**

- For ventilation unit ductwork preparation and planning information, refer to 30" Gas Cooktop (RC30DG60P) Ductwork Preparation page.

**Note:** For planning purposes only. Refer to Product Installation Guide on the web at [frigidaire.com](http://frigidaire.com) for detailed instructions.

**Optional Accessories**

- Granite Countertop Installation Kit - (PN # 903103-9010)

**FRIGIDAIRE**

USA • 10200 David Taylor Drive • Charlotte, NC 28262 • 1-800-FRIGIDAIRE • [frigidaire.com](http://frigidaire.com)  
CANADA • 5855 Terry Fox Way • Mississauga, ON L5V 3E4 • 1-800-265-8352 • [frigidaire.ca](http://frigidaire.ca)

RC30DG60P 07/13

Accessories information available on the web at [frigidaire.com](http://frigidaire.com)



Specifications subject to change.

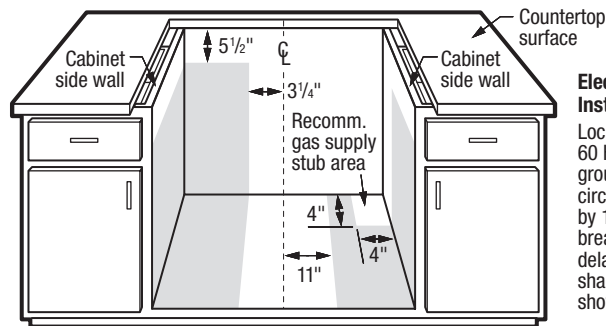
### 30" Gas Downdraft Cooktop – Ductwork Preparation

Ventilation unit comes detached from cooktop. To ensure proper installation, refer to 30" Gas Downdraft Cooktop Specifications page for planning information, and installation guide on web for complete installation details including countertop and cabinet requirements.

#### Ducting Options

On floor, through floor or through wall.

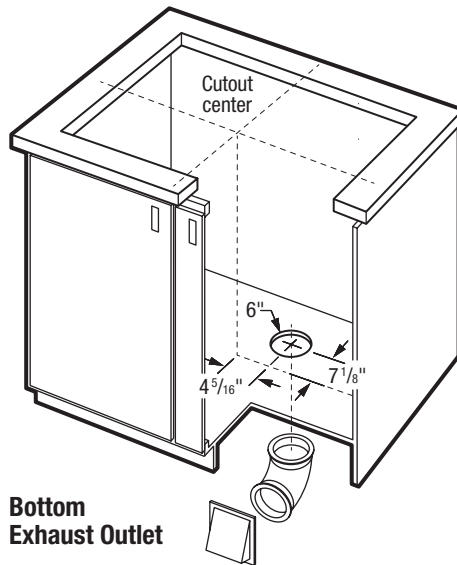
#### Electrical / Gas Supply Location



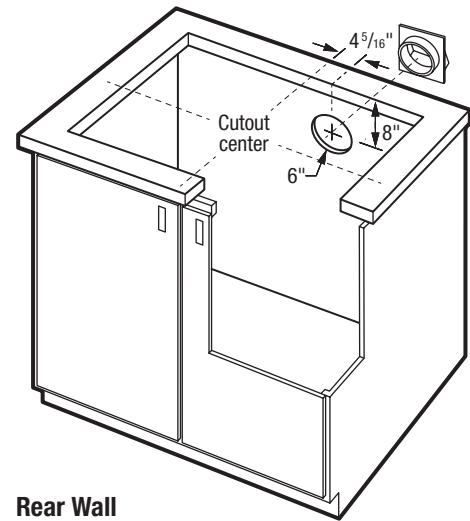
**Electrical Installation Note:**  
Locate 120 volt, 60 Hertz, properly grounded branch circuit protected by 15 amp circuit breaker or time delay fuse within shaded area shown.

#### Exhaust Outlet Locations –

Cut exhaust outlet hole in wall or floor based on desired installation. Exhaust duct MUST be located between wall studs or floor joists.



**Bottom Exhaust Outlet**



**Rear Wall Exhaust Outlet**

#### Built-In Cooktop Ductwork Preparation

- Ventilation unit comes detached from cooktop. To ensure proper installation, refer to 30" Gas Downdraft Cooktop Specifications page for planning information, and installation guide on web for complete installation details including countertop and cabinet requirements.
- Ducting Options – On floor, through floor or through wall.
- Ventilation Unit Discharge Options – Rear or down.
- Consider ductwork location and desired installation before cutting exhaust outlet hole in cabinet. For proper installation, cooktop exhaust duct MUST be located between wall studs or floor joists.
- Vent exhaust air outside only and NOT into any concealed space.
- Exhaust Duct Required – Galvanized or aluminum duct in 6" round or 3-1/4" x 10" rectangular, or combination of both. PVC should be used if installing under concrete slab.
- Local building code must be followed in specifying approved type and schedule of ALL duct used; always use appropriate roof or wall cap with damper.

- For maximum efficiency, use shortest, straightest duct run possible. Unit operates most efficiently with up to 100 equivalent feet of duct. (Refer to Calculating Duct Length Table in Product Installation Guide.)
- Flexible ducting is not recommended due to severely restricted airflow; if blower outlet and floor or wall duct location do NOT align, flexible METAL ducting can be used to adapt to offset.
- Thermal breaks such as short section of nonmetallic duct, should be used in areas of extreme cold. Cold weather installations should have additional backdraft damper installed.

**Note:** For planning purposes only. Refer to Product Installation Guide on the web at [frigidaire.com](http://frigidaire.com) for detailed instructions.

## Free Manuals Download Website

<http://myh66.com>

<http://usermanuals.us>

<http://www.somanuals.com>

<http://www.4manuals.cc>

<http://www.manual-lib.com>

<http://www.404manual.com>

<http://www.luxmanual.com>

<http://aubethermostatmanual.com>

Golf course search by state

<http://golfingnear.com>

Email search by domain

<http://emailbydomain.com>

Auto manuals search

<http://auto.somanuals.com>

TV manuals search

<http://tv.somanuals.com>