



Freezer

FFFC16M5QW

Manual Defrost
16 Cu. Ft. Chest



Product Dimensions

Height (Including Lid)	34-3/8"
Width	55-3/4"
Depth	29-1/2"

More Easy-To-Use Features

Colour-Coordinated Handle

Defrost Water Drain

Use the drain to conveniently remove water during defrosting.

Adjustable Temperature Control

Select the correct temperature for your needs.

Available in:



White
(W)

Signature Features

SpaceWise® Sliding Plastic Basket with Colour-Coordinated Clips

Take organization to the next level with our heavy-duty sliding plastic basket with colour-coordinated clips that snap-on and can be used to organize items by categories or purchase date so items are much easier to find.

Lock with Pop-Out Key

The freezer key automatically ejects after locking the door so you won't leave it in the door.

Bright LED Lighting

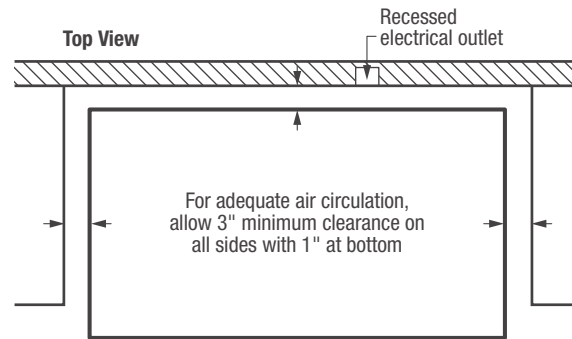
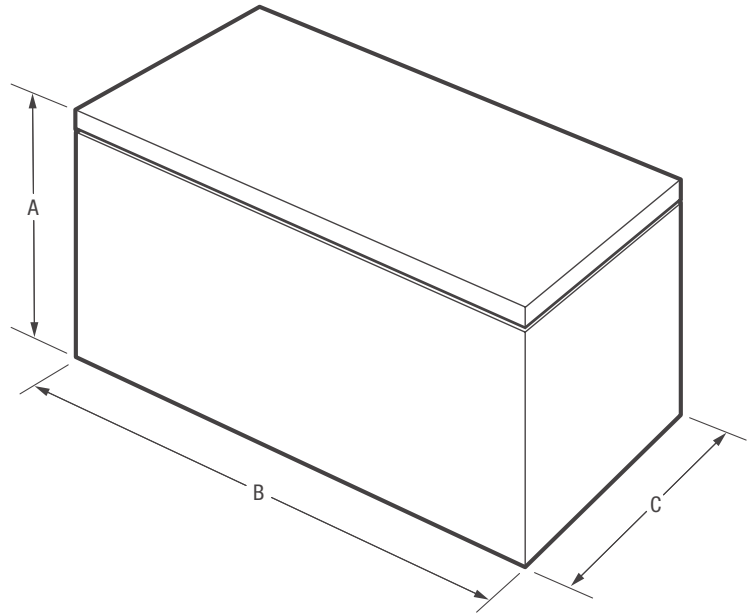
Our bright LED lighting makes it easy to see what's inside.

Power-On Indicator Light

Know at a glance that your freezer is working.

Features	
Defrost	Manual
Adjustable Temperature Control	Yes
Interior Lighting	LED
SpaceWise® Sliding Plastic Basket with Colour-Coordinated Clips	1
Food Organization System	
Defrost Water Drain	Yes
Lid Handle	Yes
Lock with Pop-Out Key	Yes
Power-On Light	Yes
Certifications	
CSA Rating	Household
Specifications	
Total Capacity (Cu. Ft.)	15.6
Annual Energy (kWH)	306
Annual Energy Cost (.12/kWH)	47
Power Supply Connection Location	Left Bottom Rear
Voltage Rating	115V / 60Hz / 5A
Connected Load (kW rating) @ 115 Volts ¹	.6
Amps @ 115 Volts	5
Minimum Circuit Required (Amps)	15
Shipping Weight (Approx.)	172 Lbs.

¹An electrical supply with grounded three-prong receptacle is required. The power supply circuit must be installed in accordance with current local codes & ordinances.



NOTE: For planning purposes only. Always consult local and national electric codes. Refer to Product Installation Guide for detailed installation instructions on the web at frigidaire.ca.



Product Dimensions	
A - Height (Including Lid)	34-3/8"
B - Width	55-3/4"
C - Depth	29-1/2"
Height with Lid Open 90°	60-5/8"

Accessories information available on the web at frigidaire.ca

Free Manuals Download Website

<http://myh66.com>

<http://usermanuals.us>

<http://www.somanuals.com>

<http://www.4manuals.cc>

<http://www.manual-lib.com>

<http://www.404manual.com>

<http://www.luxmanual.com>

<http://aubethermostatmanual.com>

Golf course search by state

<http://golfingnear.com>

Email search by domain

<http://emailbydomain.com>

Auto manuals search

<http://auto.somanuals.com>

TV manuals search

<http://tv.somanuals.com>