



All Freezer

FPUH17D7K F

17 Cu. Ft. Built-In



Shown with companion, All-Refrigerator model FPRH17D7KF and optional coordinated Double Louvered Trim Kit (DUOTRIMKIT).

SpaceWise™ Design

Optional Single Trim Kit

Part # ALLFRZKIT

Optional Double Trim Kit

Part # DUOTRIMKIT

Ice Maker-Ready

Part # IM501

Frigidaire® Professional Stainless Steel Handle
Freezer -

Frost Free

2 Full-Width Cantilever Glass Shelves

Full-Width Fixed Glass Shelf

2 Tilt-Out Wire Door Bins

Bright Lighting

3 Full-Width Contoured Door Bins

4 Adjustable Leg Levelers

Quiet Pack



ENERGY STAR®

Capacities

Total Capacity 16.7 Cu. Ft.

Interior Volume 16.7 Cu. Ft.

Overall Exterior Dimensions

Height (Including Hinges) 65-3/4"

Width 32"

Depth 26-1/2"

Available in:



Stainless
(F)

Signature Features



SpaceWise™ Organization System

Our SpaceWise™ Organization system includes tilt-out wire door bins, a sliding glass shelf and full-width storage drawers to make it easy to keep food organized and easy to find when you need it.



Real Stainless Steel

Real stainless steel with a protective coating that reduces fingerprints and smudges so it's easy to clean.



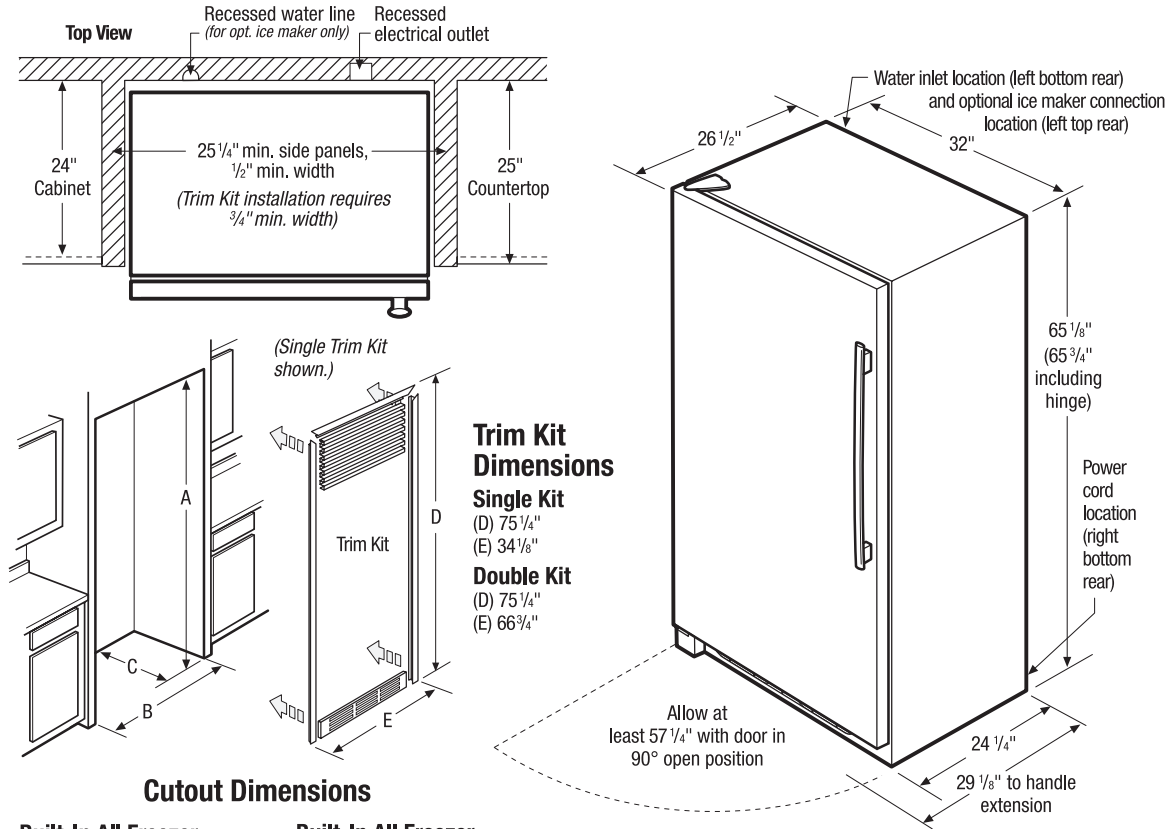
SpaceWise™ Sliding Shelf

Full-width shelf can accommodate large items - up to 26" wide.



SpaceWise™ Storage Baskets

Two full-width storage baskets keep things organized and slide out for easy access.



Built-In All Freezer (without Trim Kit)	Built-In All Freezer (with Trim Kit)
Single Unit Installation (A) 66" (B) 33" (C) 25 1/4" min.*	Single Unit Installation (A) 75" (B) 33" (C) 25 1/4" min.*
Double Unit Side-by-Side Installation (A) 66" (B) 66" (C) 25 1/4" min.*	Double Unit Side-by-Side Installation (A) 75" (B) 66" (C) 25 1/4" min.*

*Minimum depth from face of cabinet side panels and requires recessed electrical outlet and water line.

Note: Optional Trim Kits available for Built-In All Freezer. For specifications, refer to Trim Kits Installation page on web.

All-Freezer Specifications

- Product Shipping Weight (approx.) - 229 Lbs.
- An electrical supply with grounded three-prong receptacle is required. The power supply circuit must be installed in accordance with current edition of *National Electrical Code (NFPA 70)* and local codes & ordinances.
- Voltage Rating - 115V/60 Hz/15 or 20 Amps
- Amps @ 115 Volts = 5 Amps
- Always consult local and national electric & plumbing codes.
- Minimum opening of 66" H x 33" W x 25-1/4" D required for single-unit "Built-In Look" installation; 66" W required for double-unit installation. (66" H to be measured from finished floor to underside of soffit or overhead cabinet.)
- Minimum 25-1/4" depth requires recessed electrical outlet and copper water line.
- Remove all wall/floor molding prior to built-in installation.
- When installing refrigerator adjacent to wall, cabinet or other appliance that extends beyond front edge of unit, 20" minimum clearance recommended to allow for optimum 140° door swing, providing complete crisper access and removal. (*Absolute 4" minimum clearance will ONLY allow for 90° door swing which will provide limited crisper access with restricted removal.*)

- Optional Ice Maker Kit (PN# IM501) available for installation.
- Water line for ice maker can enter opening through floor or rear wall. Copper tubing recommended between cold water line and water connection location. Water line tubing recommended is 48" minimum length by 1/4" diameter. Installation of easily accessible shutoff valve in water line required.
- To allow for ease of moving out side-by-side units after installation, 84" minimum length of coiled copper tubing recommended.
- Freezer must be placed on level surface of hard material, same height as flooring. Surface must support approximately 800 lbs. when fully loaded. Unit equipped with 4-point leveling.
- If optional Single or Double Trim Kit is to be used, different cutout dimensions are required. (Refer to cutout dimensions on this page and to Trim Kits Installation Specifications page on web.)

Note: For planning purposes only. Refer to Product Installation Guide on the web at frigidaire.com for detailed instructions.

Optional Accessories

- Single Trim Kit - (PN# ALLFRZKIT).
- Double Trim Kit - (PN# DUOTRIMKIT).
- Ice Maker Kit - (PN# IM501).

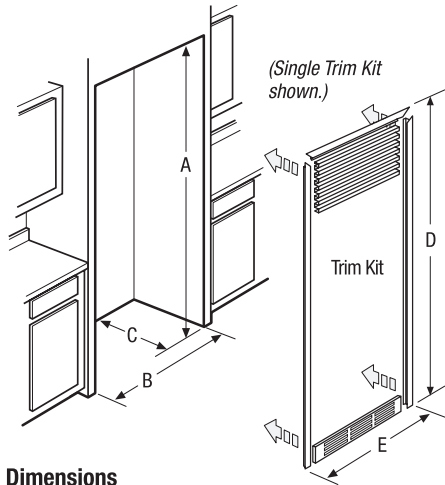
Trim Kits

**Single All-Freezer Kit (ALLFRZKIT)
Single All-Refrigerator Kit (ALLREFKIT)**

Single Kits include: Louvered top grille and vented, louvered toe kick, and side/top trim pieces.

Double All-Freezer/All-Refrigerator Kit (DUOTRIMKIT)

Double Kit includes: Louvered top grille and vented, louvered toe kick, and side/top trim pieces.



Cutout Dimensions

Single Unit Installation

(A) 75" (B) 33" (C) 25 1/4" min.*

Double Unit Side-by-Side Installation

(A) 75" (B) 66" (C) 25 1/4" min.*

*Minimum depth from face of cabinet side panels and requires recessed electrical outlet and water line.

Note: Refer to detailed Trim Kit Installation instructions included with kit or on web.

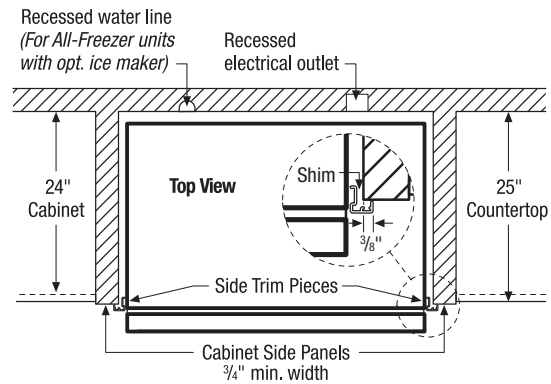
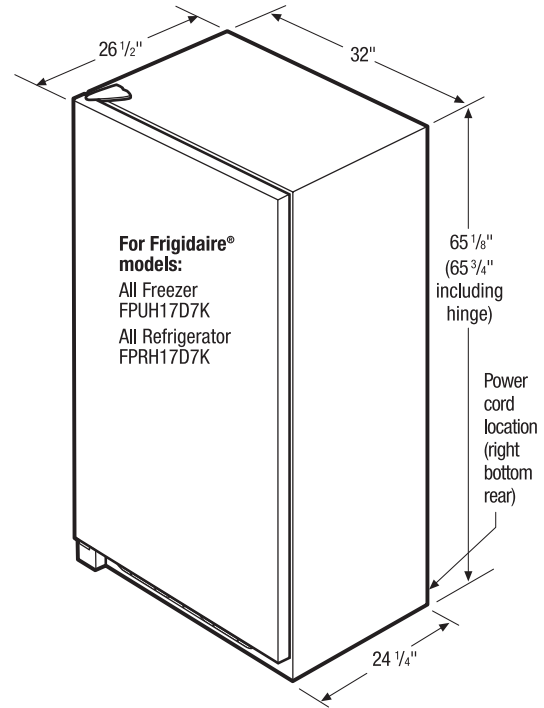
Trim Kit Dimensions

Single Kit

(D) 75 1/4" (E) 34 1/8"

Double Kit

(D) 75 1/4" (E) 66 3/4"



**All-Freezer and All-Refrigerator
Optional Trim Kits Specifications**

- To use Single Trim Kit (PN # ALLFRZKIT or PN # ALLREFKIT), an enclosure is required around All Freezer or All Refrigerator having an opening of 75" H x 33" W with minimum cabinet side panels of 25-1/4" D x 3/4" W.
- To use Double Trim Kit (PN # DUOTRIMKIT), an enclosure is required around All Freezer and All Refrigerator having an opening of 75" H x 66" W with minimum cabinet side panels of 25-1/4" D x 3/4" W.
- Minimum 25-1/4" depth requires recessed electrical outlet and water line.
- Cabinet or soffit above unit must extend out to same depth as side panels.

- Minimum 7' x 8' clear floor space required for Single Trim Kit assembly, minimum 10' x 8' clear floor space required for Double Trim Kit assembly.
- For complete Trim Kit installation, refer to detailed instructions included with kit or on web.
- For detailed All-Freezer and All-Refrigerator installations, refer to model-specific product page and installation guide on web.

Note: For planning purposes only. Refer to Product Installation Guide on the web at frigidaire.com for detailed instructions.

Free Manuals Download Website

<http://myh66.com>

<http://usermanuals.us>

<http://www.somanuals.com>

<http://www.4manuals.cc>

<http://www.manual-lib.com>

<http://www.404manual.com>

<http://www.luxmanual.com>

<http://aubethermostatmanual.com>

Golf course search by state

<http://golfingnear.com>

Email search by domain

<http://emailbydomain.com>

Auto manuals search

<http://auto.somanuals.com>

TV manuals search

<http://tv.somanuals.com>