



Microwave

FFMV164L S

Over-The-Range



Product Dimensions

Height	16-13/32"
Width	29-7/8"
Depth	15-1/32"

More Easy-To-Use Features

Two-Speed Ventilation

Over-the-range microwave doubles as a hood with two fan speeds.

Extra-Large 13-1/2" Diameter Glass Turntable

10 Cooking Power Levels

Auto-Reheat Options

Control Lock Option

Electronic Clock & Timer

Vent Filters

Dishwasher-safe.

Auto-Start Heat Sensor Vent Fan

Ductless Vent Installation Option Included

Attractive Stainless Steel Exterior

Available in:



Stainless
(S)

Signature Features

One-Touch Options

Our microwaves feature easy-to-use one-touch buttons so you can cook baked potatoes, popcorn, or even add 30 seconds with the touch of a button.

Fits-More™ Capacity

Extra-large microwave provides 1.6 Cu. Ft. of cooking space and will hold almost any dish—even a 13" x 9" baking dish.

Multi-Stage Cooking

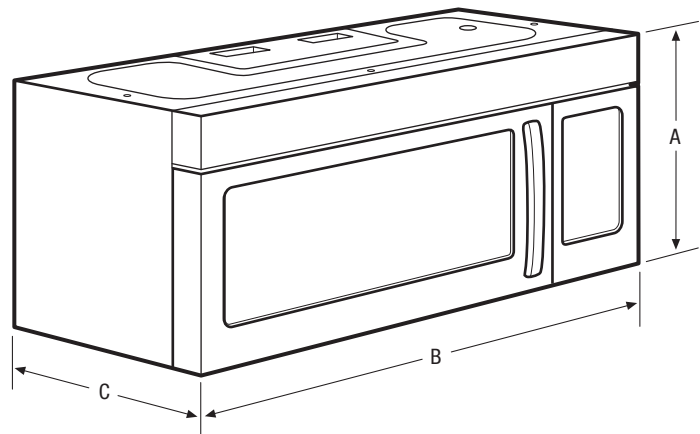
Our Multi-Stage Cooking option allows you to program power levels and cooking times in advance, so you can program it to defrost, cook and keep a meal warm all at once.

Ready-Select™ Controls

Easily select options with the touch of a button.

Features	
Control/ Timing System	Ready-Select™
Exterior Door Finish	Stainless Steel
Handle Design	Stainless Steel
Microwave Capacity (Cu.Ft.)	1.6
Convection	
Watts (IEC-705 Test Procedure)	1,000
Interior Light	Yes
Interior Color	White
Turntable Diameter	13-1/2"
Turntable On/Off	
Control Lock	Yes
Clock	Yes
Touch Pad Buttons	23
Power Levels	High (1-9)
Accessory Metal Rack	
Microwave Control Options	
Popcorn Button	Yes
Chicken Nugget Button	
Baked Potato Button	Yes
Sensor Reheat Button	
Snack Button	
Beverage	Yes
Auto Melt/ Soften Options	
Auto Reheat Options	3
Snack Menu Options	
Auto Cook Options	
Auto Defrost Options	Weight/Time
Multi-Stage Cooking Option	Yes
Keep Warm	
Add-30-Seconds	Yes
Sensor Cooking Options	
Vegetable Cook Sensor	
Delay Start	
User Preferences	
Ventilation System	
Ducted/ Ductless Installation Option	Yes
Exhaust Fan (CFM)	2-Speed 170/300
Cooktop Light	Yes
Auto-Start Heat Sensor	Yes
Dishwasher-Safe Vent Filter (Ductless Installation)	Yes
Power Ratings	
Frequency (Mhz)	2,450
Watts @ 120 Volts	1,550
Amps @ 120 Volts	13
Optional Accessories	
36" Stainless Steel Trim Kit	PN# MWFILKTSS
36" White Trim Kit	PN# MWFILKTWH
36" Black Trim Kit	PN# MWFILKTBK
Specifications	
Oven Interior (HxWxD)	9-1/4" x 20-1/4" x 14-13/32"
Power Supply Connection Location	Right Top Rear
Voltage Rating	120V/60Hz/15A
Connected Load (kW Rating) @ 120 Volts ¹	1.55
Minimum Circuit Required (Amps)	15
Shipping Weight (Approx.)	69

¹For use on adequately wired 120V, dedicated circuit having 2-wire service with a separate ground wire. Appliance must be grounded for safe operation.



NOTE: For planning purposes only. Always consult local and national electric codes. Refer to Product Installation Guide for detailed installation instructions on the web at frigidaire.com.



Product Dimensions	
A - Height	16-13/32"
B - Width	29-7/8"
C - Depth	15-1/32"

Cutout Dimensions	
Height (Min.)	16-3/4"
Height (Max.)	17"
Width (Min.)	30"
Depth (Min.)	12"
Depth (Max.)	13"

Accessories information available on the web at frigidaire.com

Free Manuals Download Website

<http://myh66.com>

<http://usermanuals.us>

<http://www.somanuals.com>

<http://www.4manuals.cc>

<http://www.manual-lib.com>

<http://www.404manual.com>

<http://www.luxmanual.com>

<http://aubethermostatmanual.com>

Golf course search by state

<http://golfingnear.com>

Email search by domain

<http://emailbydomain.com>

Auto manuals search

<http://auto.somanuals.com>

TV manuals search

<http://tv.somanuals.com>