



# Microwave Combination Oven

FPMC2785K F

27" Electric



## Product Dimensions

Height	42-3/4"
Width	27"
Depth	24-1/2"

## More Easy-To-Use Features

### Pro-Select® Controls

Precise control at your fingertips.

### One-Touch Keep Warm Setting

Just one touch of a button keeps food warm until everything — and everyone — is ready.

### One-Touch Options

Our ovens feature easy-to-use one-touch buttons so you can cook pizza or chicken nuggets — or even add a minute to the timer — with the touch of a button.

### Real Stainless Steel

Real stainless steel with a protective coating that reduces fingerprints and smudges so it's easy to clean.

### SpaceWise® Half Rack

Flexible rack system that adjusts to cook multiple dishes at once. Remove the half rack and you'll have extra height for tall dishes.

### Effortless™ Convection

Takes the guesswork out of convection cooking — our oven does the converting for you.

### "My Favorite" Setting

Easily program your most used setting with the touch of a button.

### Chicken Nugget Button

Easily bake perfect chicken nuggets with the touch of a button.

### Pizza Button

Easily bake perfect pizza with the touch of a button.

Sabbath Mode (Star-K® Certified)

Available in:



Stainless  
(F)

*Based on single rack cooking performance, not set temperature, using PowerPlus® Preheat.*

## Signature Features



### PowerPlus® Preheat

Preheat in less than six minutes.<sup>1</sup>



### True Convection

Multi-rack baking is faster and more even with True Convection.



### Fits-More™ Microwave Oven

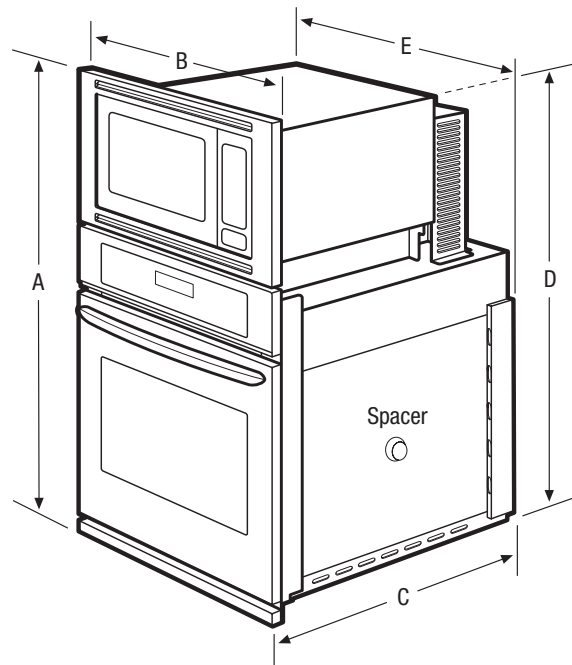
Extra-large microwave provides 2.0 cu. ft. of cooking space.



### Effortless™ Reheat

Reheat almost anything with the touch of a button.

<b>Features</b>	
Control/Timing System	Pro-Select®
Exterior Door Finish	Real Stainless Steel
Handle Design	Stainless Steel
<b>Microwave Features</b>	
Microwave Capacity (Cu.Ft.)	2.0
Window	Large
Interior Light	Yes
Interior Color	White
Turntable Diameter	16"
Turntable On/Off	Yes
Control Lock/Clock	Yes/Yes
Touch Pad Buttons	28
Power Levels	10
<b>Microwave Control Options</b>	
Popcorn Button	Yes
Chicken Nugget Button	Yes
Baked Potato Button	Yes
Reheat Button/Snack Button	Yes/Yes
Auto Melt/Soften Options	4
Auto Reheat Options	3
Snack Menu Options	3
Auto Cook Options	3
Auto Defrost Options	6
Keep Warm/Add-30-Seconds	Yes/Yes
Sensor Cooking Options	5
Vegetable Cook Sensor	Yes
Delay Start/User Preferences	Yes/Yes
<b>Oven Features</b>	
Oven Capacity (Cu.Ft.)	3.5
Oven Window	Extra-Large with Pro-Tint Finish
Oven Lights	2
Hidden Bake Element	Yes
Convection System	True Convection
Baking System	Even Baking Technology
Broiling System	PowerPlus® Broil
PowerPlus® Preheat	Yes
Bake/Broil Element (Watts)	1,450/3,400
Oven Rack Configuration	1 Heavy Duty, 1 SpaceWise® Half Rack, 1 Offset Rack
Oven Cleaning System	PowerPlus® Clean
<b>Oven Controls</b>	
Convection Conversion	Effortless™
My Favorite	Yes
Chicken Nugget Button	Yes
Pizza Button	Yes
Keep Warm/Add-a-Minute	Yes/Yes
<b>Certifications</b>	
Sabbath Mode (Star-K® Certified)	Yes
<b>Specifications</b>	
Microwave Oven Interior (H x W x D)	10-1/2" x 17-3/8" x 18-5/8"
Oven Interior (H x W x D)	16-1/2" x 20-1/2" x 18-1/32"
Power Supply Connection Location	Middle Bottom Rear
Voltage Rating	240V/208V/60Hz
Connected Load (kW Rating) @ 240/208 Volts	6.4/5.6
Amps @ 240/208 Volts	26.7/26.9
Minimum Circuit Required (Amps)	30
Shipping Weight (Approx.)	220 Lbs.



NOTE: For planning purposes only. Always consult local and national electric codes. Refer to Product Installation Guide for detailed installation instructions on the web at [frigidaire.com](http://frigidaire.com).



Product Dimensions	
A - Height	42-3/4"
B - Width	27"
C - Depth	24-1/2"
D - Height (Wrapper)	40-15/16"
E - Width (Wrapper)	24-5/8"
Depth with Door Open 90°	45-1/2"

Cutout Dimensions	
Height (Min.)/(Max.)	41-1/8" / 41-1/4"
Width (Min.)/(Max.)	24-7/8" / 25-1/4"
Depth (Min.)	23-1/2"

Accessories information available on the web at [frigidaire.com](http://frigidaire.com)

**FRIGIDAIRE**

USA • 10200 David Taylor Drive • Charlotte, NC 28262 • 1-800-FRIGIDAIRE • [frigidaire.com](http://frigidaire.com)

CANADA • 5855 Terry Fox Way • Mississauga, ON L5V 3E4 • 1-800-265-8352 • [frigidaire.ca](http://frigidaire.ca)

FPMC2785K 02/11

Download from [www.SoftHubs.com](http://www.SoftHubs.com). All Manuals Search And Download.

Specifications subject to change. Printed in the U.S.A.

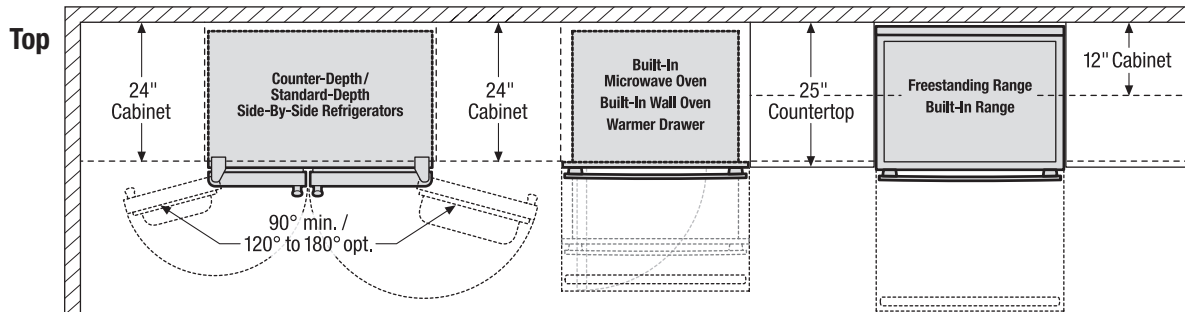


Use these dimensions and clearance instructions for planning purposes only. For detailed installation instructions, refer to installation guide, packed with product, or on the web at [frigidaire.com](http://frigidaire.com).



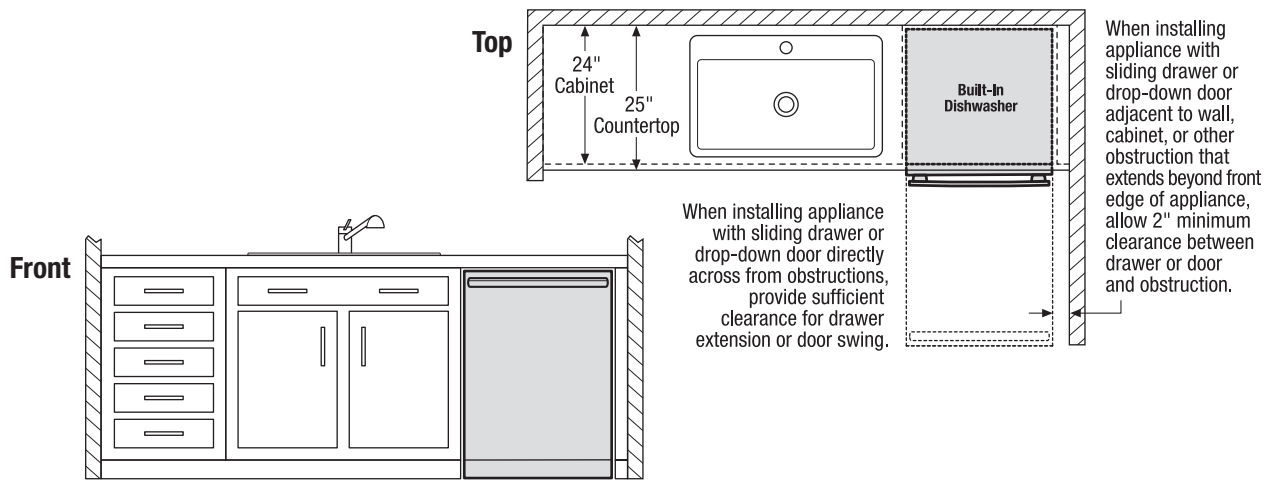
When installing appliances adjacent to each other, 20" minimum distance between each appliance required.

When installing built-in cooking appliances in combination, 2" minimum visible gap between appliance faceplates required.



When installing side-by-side refrigerator adjacent to wall, cabinet or another appliance that extends beyond front edge of unit, 20" minimum clearance recommended to allow for optimum 120° to 180° door swing, providing complete drawer/crisper access and removal.

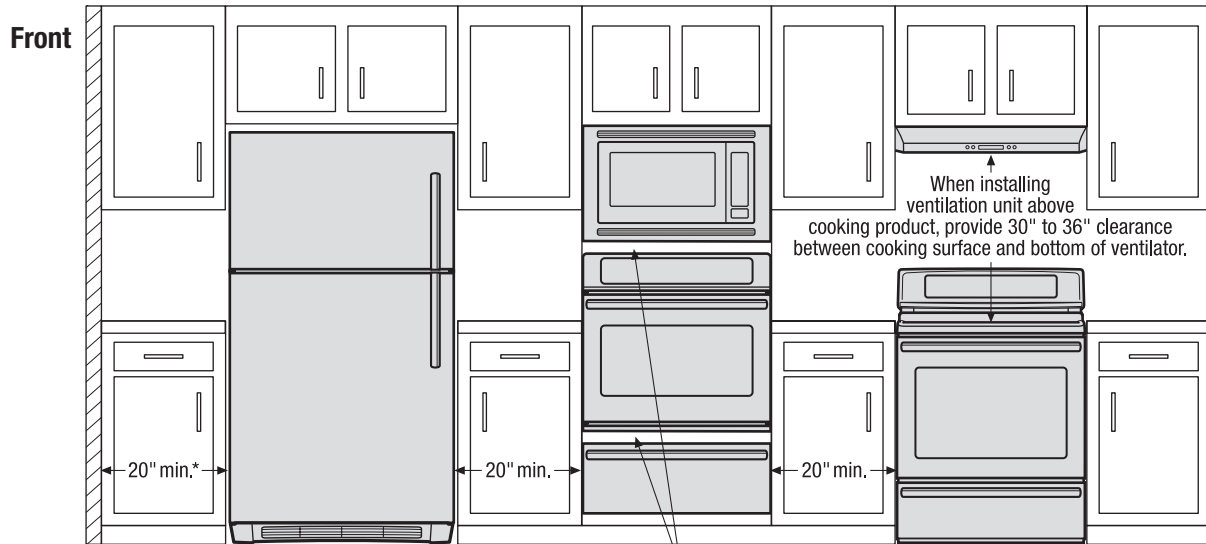
When installing appliance with sliding drawer, swinging or drop-down door directly across from obstructions, provide sufficient clearance for drawer extension or door swings.



When installing appliance with sliding drawer or drop-down door adjacent to wall, cabinet, or other obstruction that extends beyond front edge of appliance, allow 2" minimum clearance between drawer or door and obstruction.

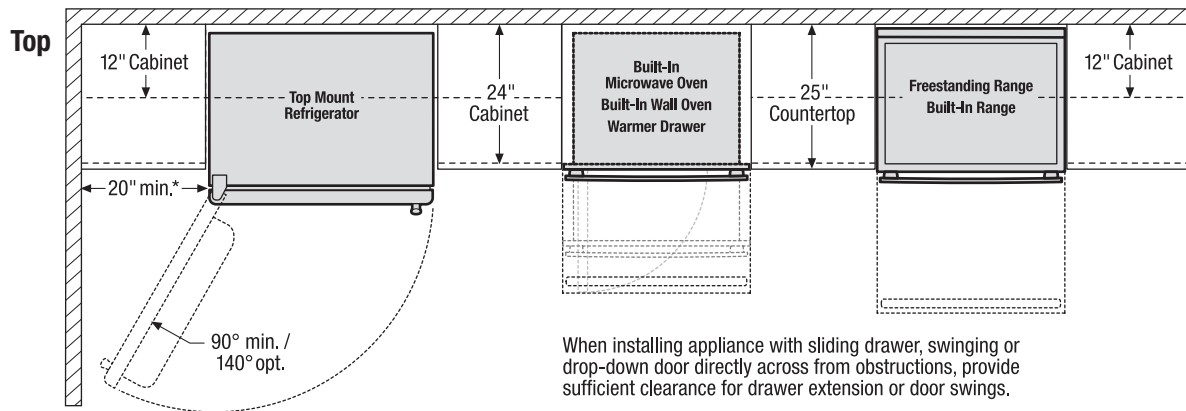
When installing appliance with sliding drawer or drop-down door directly across from obstructions, provide sufficient clearance for drawer extension or door swing.

Use these dimensions and clearance instructions for planning purposes only. For detailed installation instructions, refer to installation guide, packed with product, or on the web at [frigidaire.com](http://frigidaire.com).



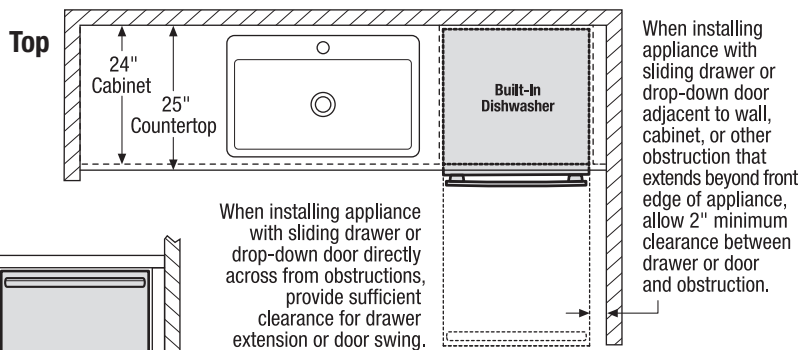
When installing appliances adjacent to each other, 20" minimum distance between each appliance required.

When installing built-in cooking appliances in combination, 2" minimum visible gap between appliance faceplates required.



When installing appliance with sliding drawer, swinging or drop-down door directly across from obstructions, provide sufficient clearance for drawer extension or door swings.

\*When installing refrigerator adjacent to wall, cabinet or other appliance that extends beyond front edge of unit, 20" minimum clearance recommended to allow for optimum 140° door swing, providing complete crisper access and removal. (Absolute 3" minimum clearance will ONLY allow for 90° door swing which will provide limited crisper access with restricted removal.)



When installing appliance with sliding drawer or drop-down door directly across from obstructions, provide sufficient clearance for drawer extension or door swing.



## Free Manuals Download Website

<http://myh66.com>

<http://usermanuals.us>

<http://www.somanuals.com>

<http://www.4manuals.cc>

<http://www.manual-lib.com>

<http://www.404manual.com>

<http://www.luxmanual.com>

<http://aubethermostatmanual.com>

Golf course search by state

<http://golfingnear.com>

Email search by domain

<http://emailbydomain.com>

Auto manuals search

<http://auto.somanuals.com>

TV manuals search

<http://tv.somanuals.com>