



User / Installation Manual

Marine Speakers

MS-FR402, MS-FR602, MS-FR702



www.fusionelectronics.com

FUSION Electronics New Zealand	Ph: +64 9 369 2900
FUSION Electronics Australia	Ph: +61 1300 736 012
FUSION Electronics Europe	Ph: +44 845 299 7586
FUSION Electronics USA	Ph: +1 623 580 9000

Contents

List Of Contents	4
Product Specifications	4
Line Drawings And Dimensions	5
Installation Guide	8
Optimum Enclosure Recommendations	10
Trouble Shooting	10
Speaker Grille Options	11

..... ○

RECORD YOUR PRODUCT DETAILS HERE:

MODEL NUMBER _____ DATE OF PURCHASE _____

AFFIX RECEIPT HERE

PUBLISHED BY FUSION ELECTRONICS LIMITED:
© Copyright 2010 by FUSION Electronics Limited.
All rights reserved. Specifications and design are
subject to change without notice. v7.0



YOU CAN HELP PROTECT THE ENVIRONMENT!
Please remember to respect the local regulations:
Hand in the non-working electrical equipment to
an appropriate waste disposal center.

..... |

..... ○

FUSION's Full Range 2-Way Marine Speakers are carefully designed and manufactured specifically for marine use. All feature a unique high tech bass/mid cone, a fluid cooled titanium dome tweeter, engineered to minimise magnetic interference, and are constructed to be water resistant.

These speakers have been thoroughly tested to ensure consistent and reliable performance is achieved in the challenging marine environment. If you have any questions about the installation and/or operation of this product, contact your nearest Authorised FUSION Dealer for further assistance.

List Of Contents

- 1 Pair Speakers
- 1 Pair Standard Grilles
- 1 Pair Sport Grilles (MS-FR602, MS-FR702 only)
- 1 Pair Cloth Grilles (MS-FR602, MS-FR702 only)
- Wiring Kit
- Mounting Hardware
- 1 Pair Spacer Gaskets
- Manual
- Warranty Card
- Mounting Template
- 1 Pair FUSION Gel Badges, Green/Black
- 1 Pair FUSION Gel Badges, White/Black
- 1 Pair FUSION Gel Badges, Silver/Black

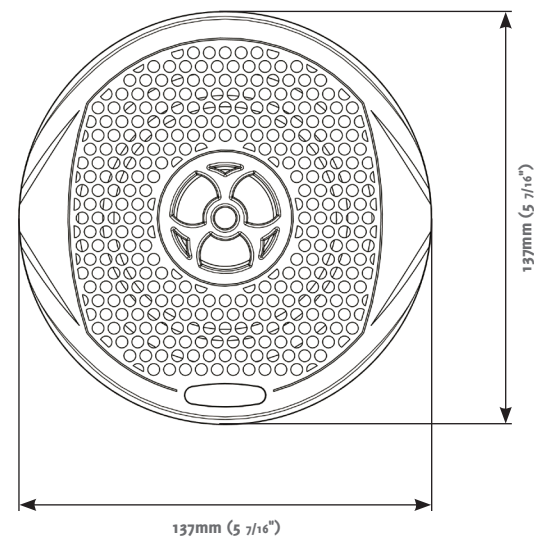
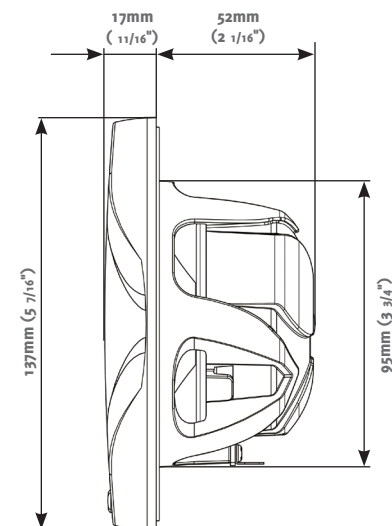
Product Specifications

	MS - FR402	MS - FR602	MS - FR702
Tweeter Type	Titanium Dome	Titanium Dome	Titanium Dome
Max Power (watts)	120	200	260
Efficiency (1W/1M)	87db	90db	91db
Frequency Response	90 - 22kHz	70 - 22kHz	60 - 22kHz
Min. Mounting Depth Allowing Clearance (mm/in)	60mm (2 7/16")	75mm (3")	80mm (3 1/16")
Impedance	4 ohms	4 ohms	4 ohms

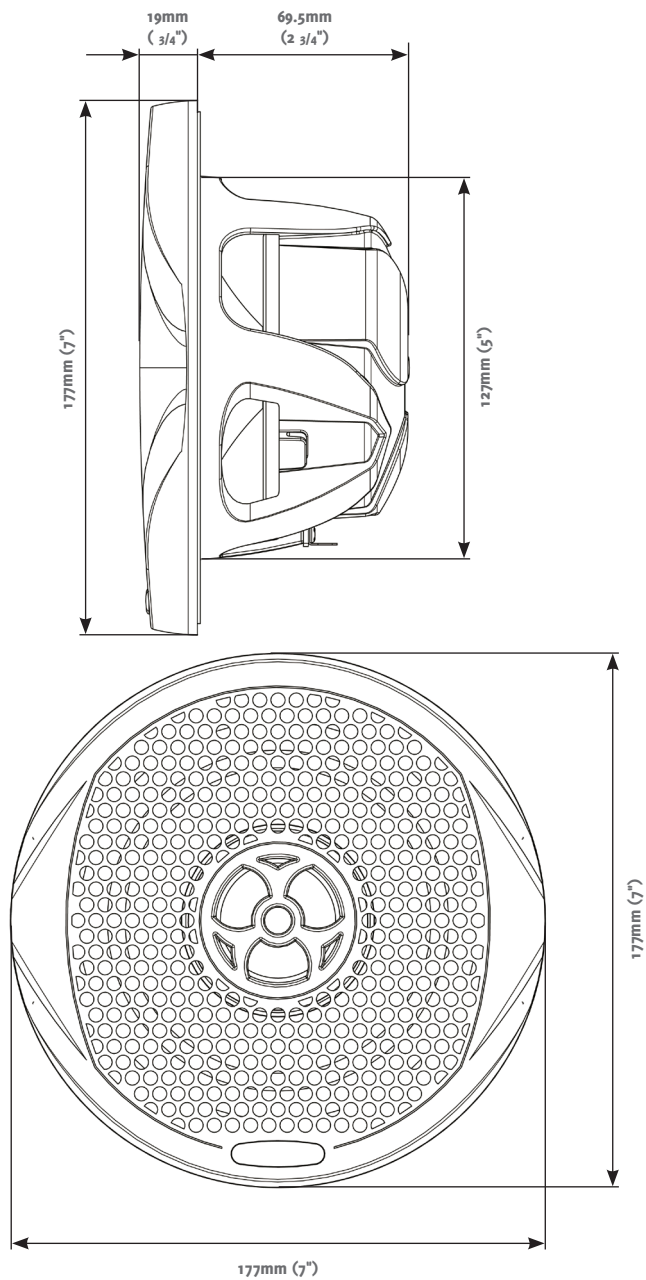
CAUTION: For speaker mounting restrictions, please refer to manufacturers recommendations for any related navigational equipment.

Line Drawings And Dimensions

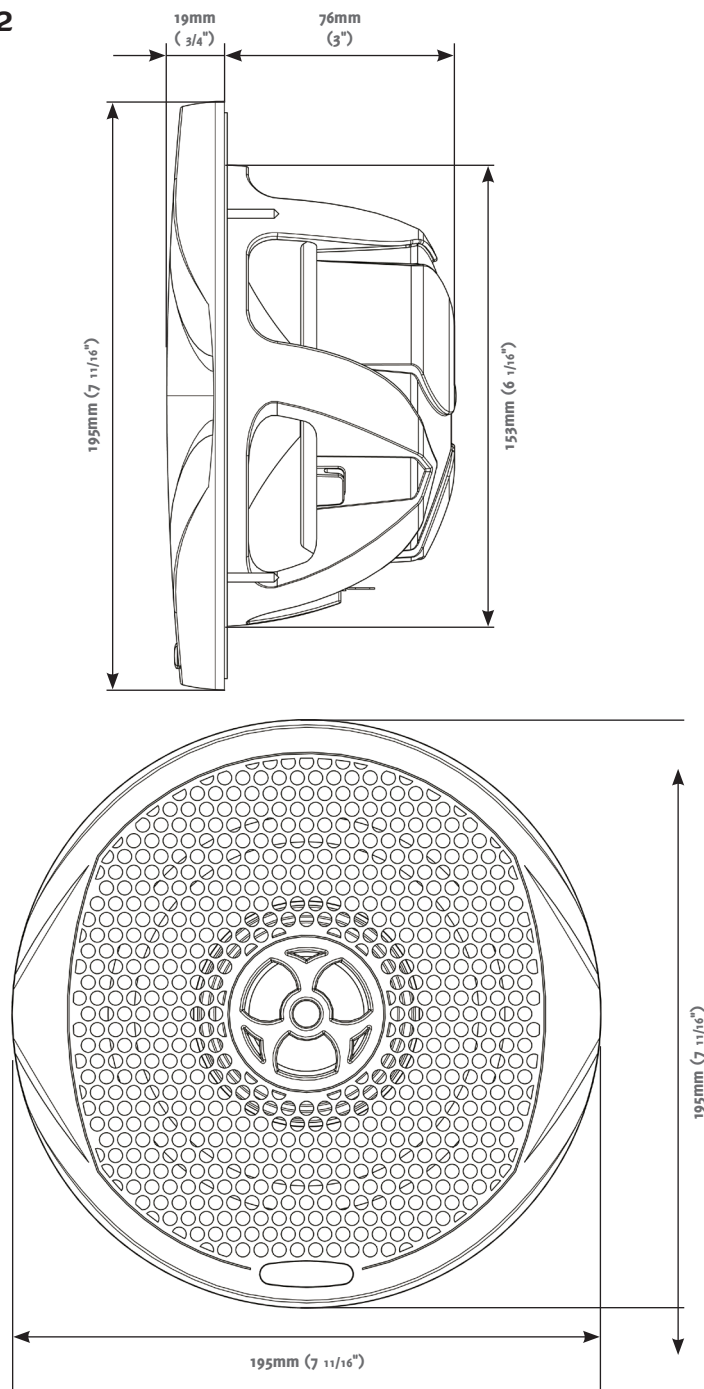
MS - FR402



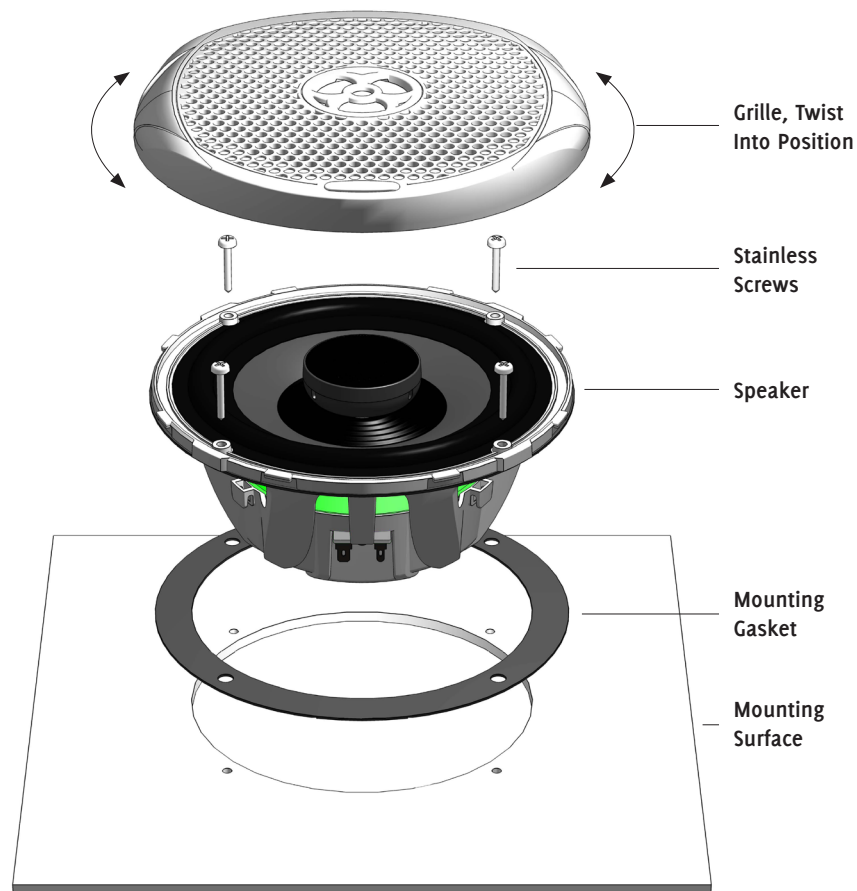
MS - FR602



MS - FR702



Installation Guide



1. Check clearance around the mounting area before installation, ensuring the area is free from obstruction, and there is adequate depth for the speaker.
2. Check that the area chosen for mounting the speaker is flat. If the area is curved, it may not be possible to fit the speaker without “twisting” the frame.
3. If the installation area is only slightly curved, use the extra thick closed cell foam gasket provided.
4. Using the supplied mounting template, mark the correct diameter on the mounting surface.

5. Use a suitable cutting tool to remove the marked surface, and drill four holes for the screws to pass through.
(NOTE: Confirm you are happy with badge position relative to mounting holes)
6. Connect the wires before mounting the speaker. Be sure to observe the correct polarity.
7. With the grille removed, mount the speaker using the four stainless steel screws, and the stainless retainer clips supplied. DO NOT over tighten the screws, especially if the mounting area is not flat.
8. Twist the grille into position.

Installation Tips

Any speaker will only perform to its best capabilities, when correctly placed in the listening area. FUSION Engineers recognise that unlike a home or motor vehicle installation, there are an extremely wide range of marine environments where speakers may be placed. FUSION Full Range Marine Speakers are optimised to perform in the widest possible range of mounting locations, but a little thought and care with placement will always be rewarded with better sound.

- High frequencies are directional. Placing the speakers low down in the boat will lose some of this information. (To improve dispersion of the high frequencies, the grille on your FUSION Full Range Speaker has a uniquely designed “phase correction” feature in the centre, for best performance with the grille on.)
- Speakers should be placed to simulate a “sound stage”, by being placed where you are able to hear both speakers in a stereo situation.
- Bass is dependant on the area behind the speaker. Too small an area will restrict bass, too large will compromise bass performance.
- Placing a speaker such that it is very close to an open area (where sound from the back of the loudspeaker has a very short path to compete with sound from the front of the loudspeaker) produces the least bass.
- If possible, try and make the area behind a speaker an enclosure.

Where the speaker is directly exposed to the outside environment, it is best if this is a sealed enclosure. (Especially if the loudspeaker is exposed to “wash down”, as a vent might allow water to collect in the enclosure.)

Where the speaker is not so exposed (an inside cabin for instance), a better bass performance can be had if the enclosure is a ported or vented type. To help you achieve the best possible result see the optimum enclosure design recommendations. These are by volume only, and for the ported option, an optimum vent size/length is given.

Optimum Enclosure Recommendations

	MS - FR402	MS - FR602	MS - FR702
Sealed Enclosure Volume (cu.ft)	0.07	0.43	0.71
Sealed Enclosure Volume (litres)	2	12	20
Ported Enclosure Volume (cu.ft)	.34	0.9	1.25
Ported Enclosure Volume (litres)	9.5	26	36
Port diameter (mm/in)	50mm (2")	50mm (2")	60mm (2 7/16")
Port length (mm/in)	88mm (3 7/16")	25mm (1")	30mm (1 1/8")

Trouble Shooting

Before you contact your FUSION dealer or service centre, FUSION requires that you do some simple trouble shooting to help diagnose the problem.

If the FUSION speaker has been installed by a professional installation company, then we recommend that you return to the company so the technician can assess the problem and advise.

Problem	Solution
No sound	Check all connections from the source unit and amplifier to the speaker terminals are correctly connected
System lacks in bass	Check the connections from the source unit/ amplifier to the speaker. Ensure the positive wire from the source is connected to the positive of the speaker.
	Ensure the speakers are mounted firmly to the mounting surface
System lacks in high frequencies	Check polarity
	Check the bass / treble control settings on the source unit
Distorted sound	Check all wiring
	Check that it is not the surrounding panels of the craft rattling. Check connections from the source to the speaker.

Speaker Grille Options

FUSION Marine Speakers (with the exception of MS-FR402) feature a variety of grille options, allowing you to customise your speakers to match or enhance the appearance of your craft. Each pair of MS-FR602 and MS-FR702 speakers include a choice of three different grilles and three different gel badges.

NOTE: MS-FR402 only feature the standard grille option, but still offer all three gel badge options.



Standard Grilles

The standard grilles are factory-fitted to the speakers, and are the most rugged and offer the highest level of protection. FUSION recommends using the standard grilles in high traffic areas, or where objects are liable to be moving around or knocking into the speakers.



Cloth grilles

The cloth grilles are designed to enhance the internal cabin area. The cloth insert is removable, via the screws on the inside of the grille - allowing you to change the cloth to compliment the cabins decor.



Sport grilles

The sport grilles provide a third grille alternative for your speakers.

Free Manuals Download Website

<http://myh66.com>

<http://usermanuals.us>

<http://www.somanuals.com>

<http://www.4manuals.cc>

<http://www.manual-lib.com>

<http://www.404manual.com>

<http://www.luxmanual.com>

<http://aubethermostatmanual.com>

Golf course search by state

<http://golfingnear.com>

Email search by domain

<http://emailbydomain.com>

Auto manuals search

<http://auto.somanuals.com>

TV manuals search

<http://tv.somanuals.com>