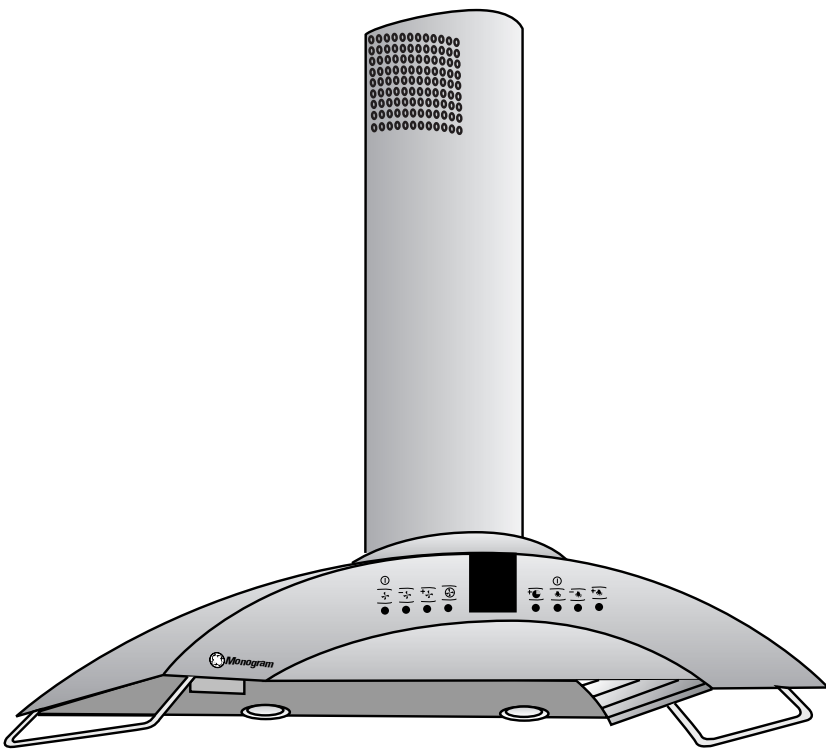


Installation Instructions

If you have questions, call 800.GE.CARES or visit our website at: www.monogram.com



ZXR858, ZXR859 and ZXR8510
Recirculating Accessories
For Model ZV850, Island Vent Hood



Installation Preparation

BEFORE YOU BEGIN

Read these instructions completely and carefully.

- **IMPORTANT** – Save these instructions for local inspector’s use.
- **IMPORTANT** – Observe all governing codes and ordinances.
- **Note to Installer** – Be sure to leave these instructions with the Consumer.
- **Note to Consumer** – Keep these instructions with your Owner’s Manual for future reference.
- **Skill Level** – Installation of this appliance requires basic mechanical and electrical skills.
- **Completion time** – 1 to 3 hours.
- Proper installation is the responsibility of the installer.
- Product failure due to improper installation is not covered under the Warranty.

For Monogram local service in your area, 1.800.444.1845.

For Monogram service in Canada, call 1.888.880.3030.

For Monogram Parts and Accessories, call 1.800.626.2002.

CAUTION:

Due to the weight and size of this vent hood and to reduce the risk of personal injury or damage to the product, **TWO PEOPLE ARE REQUIRED FOR PROPER INSTALLATION.**

WARNING: The improper connection of the equipment-grounding conductor can result in a risk of electric shock. Check with a qualified electrician or service representative if you are in doubt whether the appliance is properly grounded.

WARNING:

TO REDUCE THE RISK OF FIRE, ELECTRICAL SHOCK OR INJURY TO PERSONS, OBSERVE THE FOLLOWING:

- A.** Use this unit only in the manner intended by the manufacturer. If you have any questions, contact the manufacturer.
- B.** Before servicing or cleaning unit, switch power off at the service panel and lock service panel to prevent power from being switched on accidentally. If the service panel cannot be locked, fasten a tag or prominent warning label to the panel.

For general ventilating use only. Do not use to exhaust hazardous or explosive materials or vapors.

Structural framing, installation work and electrical wiring must be done by qualified person(s) in accordance with all applicable codes and standards, including fire-rated construction.

Sufficient air is needed for proper combustion and exhausting of gases through the flue (chimney) of fuel burning equipment to prevent back drafting. Follow the heating equipment manufacturer’s guidelines and safety standards such as those published by the National Fire Protection Association (NFPA), and the American Society for Heating, Refrigeration and Air Conditioning Engineers (ASHRAE), and the local code authorities.

Local codes vary. Installation electrical connections and grounding must comply with applicable codes. In the absence of local codes, the vent should be installed in accordance with National Electrical Code ANSI/NFPA 70-1990 or latest edition.

CONTENTS

Installation Preparation

Required Accessories	3
Product Dimensions	3
Duct Cover Accessories	4
Power Supply	4
Tools and Materials Required	4
Remove Packaging, Check Contents	5
Install Ceiling Support	6

Installation Instructions

Step 1, Mount Template	6
Step 2, Install Upper Support Frame	7
Step 3, Install Lower Support Frame	7
Step 4, Secure Wiring	8
Step 5, Size and Install Ductwork	8
Step 6, Install Decorative Duct Covers	9
Step 7, Install Hood	10
Step 8, Connect Electrical	10
Step 9, Slide Duct Covers Down, Install Utility Bars	11
Step 10, Install Filters	11
Step 11, Finalize Installation	11

Installation Preparation

REQUIRED ACCESSORIES

This book provides step by step instructions to install the Monogram ZV850 ceiling mounted hood for **recirculating** operation.

- One of the following accessory kits is required for non-vented ceiling mounted installations of model ZV850.

Choose the correct kit according to ceiling heights:

ZXR858 – For 8 ft. ceiling height.

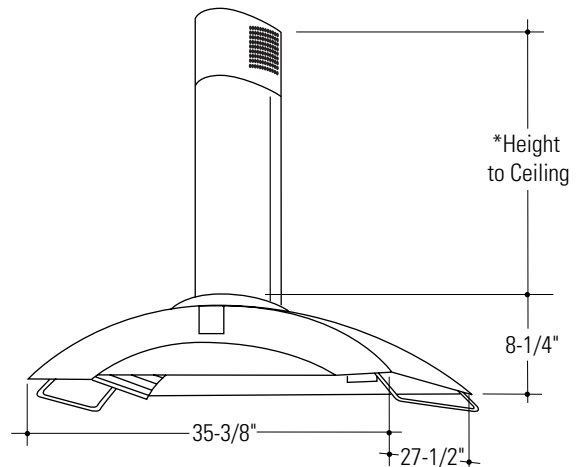
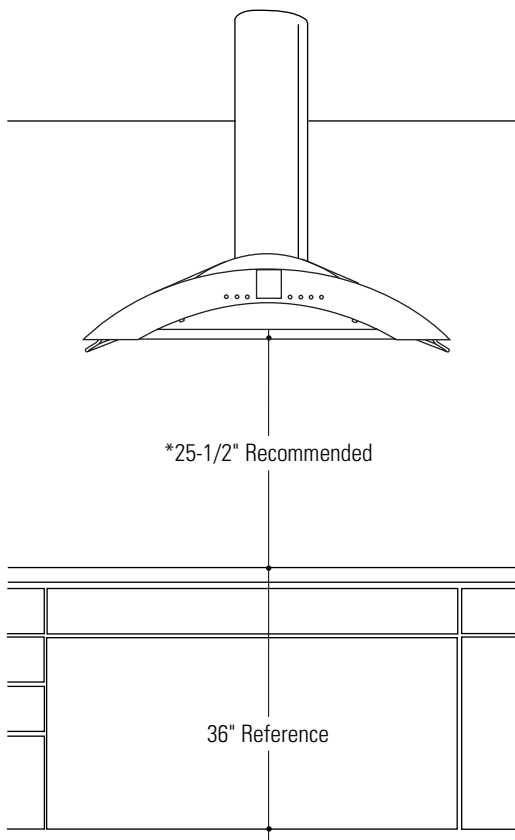
ZXR859 – For 9 ft. ceiling height

ZXR8510 – For 10 ft. ceiling height.

- Order the required accessory at the same time as the vent hood and have on site before installation.
- Each kit includes decorative duct covers, a support frame, air deflector and charcoal filters.

PRODUCT DIMENSIONS

The vent hood must be installed 24" min. and 30" max. above the cooking surface. 25-1/2" is recommended for best performance and to ensure that the duct cover meets the ceiling. The cooking surface should be at least 36" above the floor. Installation will be easier if the vent hood is installed before the cooktop and countertop is installed.



* 26-1/4" for 8 ft. Ceiling
Using ZXR858 Accessory

38-1/8" for 9 ft. Ceiling
Using ZXR859 Accessory

50-1/8" for 10 ft. Ceiling
Using ZXR8510 Accessory

* The distance between the cooking surface and the bottom of the hood must be at least 24" and up to 30". The 25-1/2" recommended installation height, above the standard 36" countertop, will ensure duct cover fit to the ceiling.

Installation Preparation

USING DUCT COVER ACCESSORIES

A duct cover accessory is required for all ceiling heights. Use this chart to determine the correct Duct Cover Accessory for 8-ft. to 10-ft. ceilings that must be ordered with the hood.

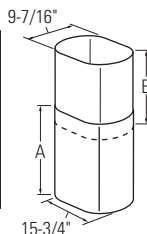
ZV850SB Installation Heights

Actual Ceiling Height	*Possible Hood Installation Height	Recirculating Accessory
7' 11"	24-1/2"	ACCESSORY ZXR858C
8' 0"	25-1/2"	
8' 1"	25-1/2" to 26-1/2"	ACCESSORY ZXR859C
8' 2"	25-1/2" to 27-1/2"	
8' 3"	25-1/2" to 28-1/2"	
8' 4"	25-1/2" to 29-1/2"	
8' 5"	30" max.	
8' 6"	30" max.	
8' 7"	30" max.	
8' 8"	30" max.	
8' 9"	30" max.	
8' 10"	30" max.	
8' 11"	30" max.	
9' 0"	30" max.	ACCESSORY ZXR8510C
9' 1"	30" max.	
9' 2"	30" max.	
9' 3"	30" max.	
9' 4"	30" max.	
9' 5"	30" max.	
9' 6"	30" max.	
9' 7"	30" max.	
9' 8"	30" max.	
9' 9"	30" max.	
9' 10"	30" max.	
9' 11"	30" max.	
10' 0"	30" max.	

*Based on 36" countertop height.

ZV850SB Duct Cover Dimensions

Recirculating Installation	A	B
ZXR858C	14-3/16"	15"
ZXR859C	21-7/8"	22-1/2"
ZXR8510C	26"	27-15/16"



POWER SUPPLY

IMPORTANT - (Please read carefully)

WARNING:

FOR PERSONAL SAFETY, THIS APPLIANCE MUST BE PROPERLY GROUNDED.

Remove house fuse or open circuit breaker before beginning installation.

Do not use an extension cord or adapter plug with this appliance. Follow National electrical codes or prevailing local codes and ordinances.

Electrical supply

This vent hood must be supplied with 120V, 60Hz, and connected to an individual, properly grounded branch circuit, and protected by a 15 or 20 amp circuit breaker or time delay fuse.

- Wiring must be 2 wire with ground.
- If the electrical supply does not meet the above requirements, call a licensed electrician before proceeding.
- Route house wiring in the ceiling, as close to the installation location as possible. Allow an additional 3 feet length from ceiling joists to reach the junction box on the hood.
- Connect the wiring to the house wiring in accordance with local codes.

Grounding instructions

The grounding conductor must be connected to a ground metal, permanent wiring system, or an equipment-grounding terminal or lead on the hood.

WARNING: The improper connection of the equipment-grounding conductor can result in a risk of electric shock. Check with a qualified electrician or service representative if you are in doubt whether the appliance is properly grounded.

TOOLS AND MATERIALS REQUIRED (NOT SUPPLIED)

- Tape measure
- Knife
- Spirit level
- Wire cutter/stripper
- Wire nuts
- Electric drill and 5/32" bit
- Phillips and flat-blade screwdrivers
- Hammer
- Pliers
- Center punch
- 10 mm Hex wrench/socket
- Safety glasses
- Duct tape
- Plumb
- Gloves to protect against sharp edges
- 120V 60Hz. 15 or 20 Amp, 2 wire with ground. Properly grounded branch circuit.
- Strain relief for junction cover
- 6" round duct, length to suit installation

Installation Preparation

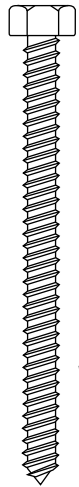
REMOVE THE PACKAGING

The vent hood is packed separate from the required accessory: ZXR858, ZXR859 or ZXR8510.

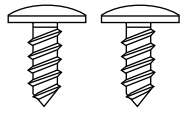
- Remove the frame, cover, parts box, side bars and packaging.
- Remove junction box cover.
- Install strain relief onto junction box cover.

Check Installation Hardware

Locate the hardware accessory box packed with the hood and check contents.



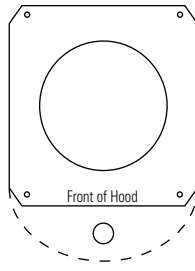
4 Hex head wood lag screws (6mm x 2-1/2" or 1/4 x 2-1/2")



2 Phillips Head Decorative Screws



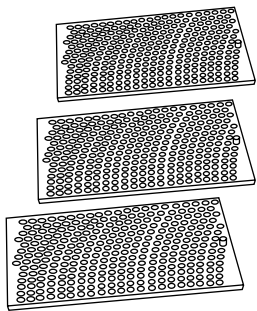
4 Flat Washers



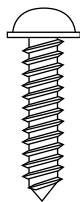
Template



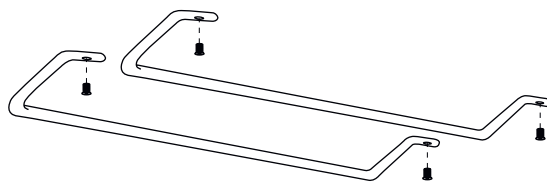
4 (10mm) Nuts and Lock Washers



3 Stainless Steel Grease Filters

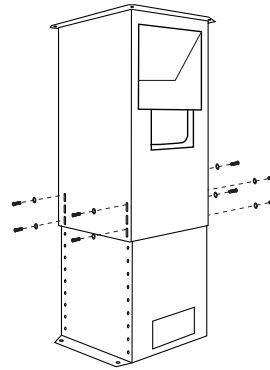


Check service manual envelope taped to the front on the hood to be sure it contains one stop screw. Leave this screw in the envelope.



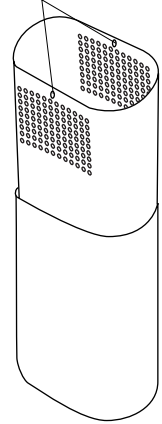
2 side bars with 4 Machine screws

Check contents of the required accessory, ZXR858, ZXR859 or ZXR8510.

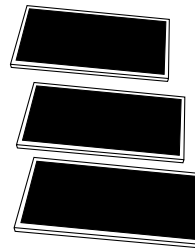


Support Frames With 8 Screws And 8 Washers

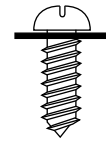
Mounting Screw Holes



Decorative Duct Covers



3 Charcoal Filters

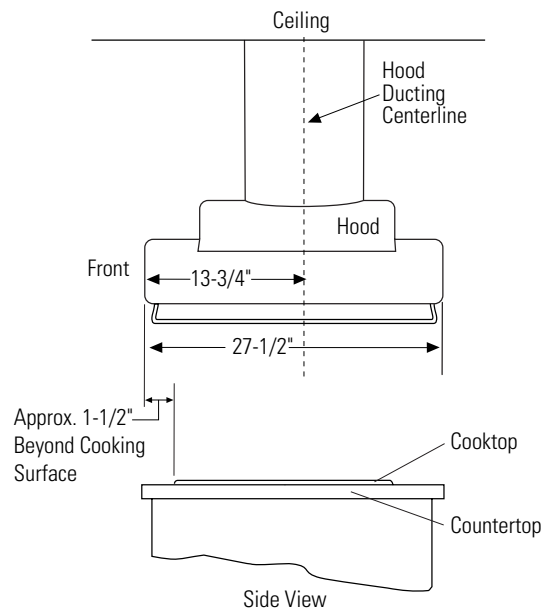


8 Frame Attachment Screws with Washers (attached to accessory support frames)

PLAN THE LOCATION

Determine the exact location of the vent hood.

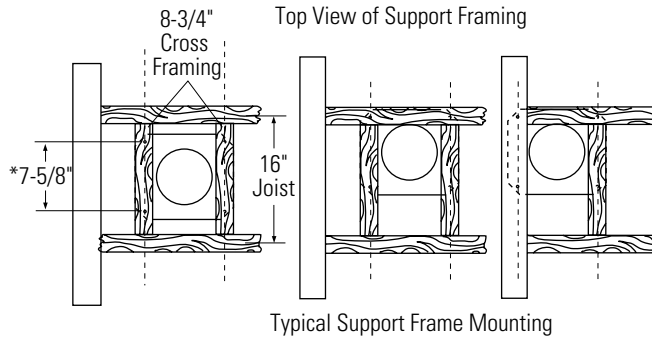
- Use a plumb to check location to be sure countertop/cooktop location below the hood will align exactly.
- The hood should project forward 1-1/2" beyond the front edge of the cooking appliance. See illustration.
- Observe the recommended space between the cooking surface and bottom of hood.



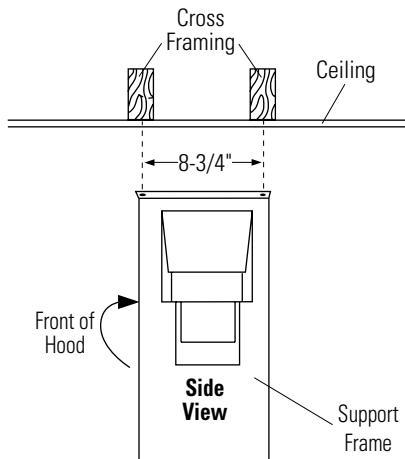
Installation Preparation

INSTALL CEILING SUPPORT STRUCTURE

- At the hood location, install 2 x 4 cross framing between ceiling joists as shown.
- The 2 x 4 cross framing can be installed standing or flat. See illustration.



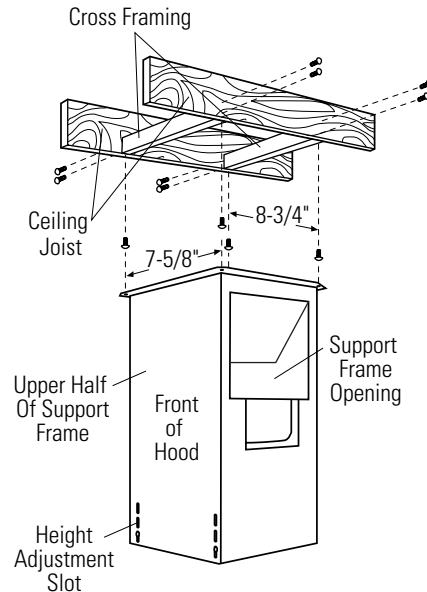
– The framing should be spaced 8-5/8" on the sides and 7-5/8" at the front from centerline to centerline to accept mounting screws in the vent support frame.



Note: The cross framing must be spaced 8-3/4" on the side from centerline to centerline in order to accept the hood mounting screws.

- Arrange cross framing in the ceiling to suit the existing structure. See examples.
- Secure each 2 x 4 block with at least four (4), #10 wood screws, 3" long (minimum size screws, not supplied). Use 8 wood screws total for the two supports.
- **The cross framing must be accurately aligned to assure correct positioning of the hood.**

- **The cross framing must be level in all directions.** Check with a spirit level and adjust if necessary.



IMPORTANT: The ceiling structure must be capable of supporting the weight of the hood (approximately 100 pounds) and any inadvertent user contact loads. It is recommended that the hood support frame be supported by a minimum of 2 x 4 cross framing.

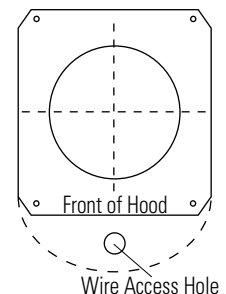
Finish the Ceiling

Once the ceiling is finished, mark the location of the ceiling joist and cross framing.

- Check to be sure that ceiling is level, use shims if necessary.

1 MOUNT TEMPLATE

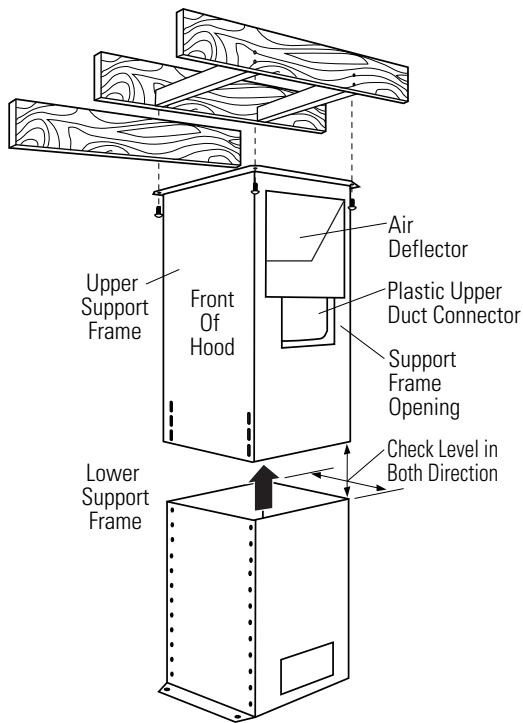
- Align the template with the marks on the ceiling and tape in place.
- Be sure the template is oriented correctly, with the front of the hood.
- Use a plumb to be sure the mounting holes will provide parallel alignment with the countertop below.
- Center punch all hole locations.
- Drill pilot holes in the 4 screw locations. Use a 5/32" bit and drill approximately 1-1/2" deep.
- Cut wire access hole approximately 1" dia.



Installation Instructions

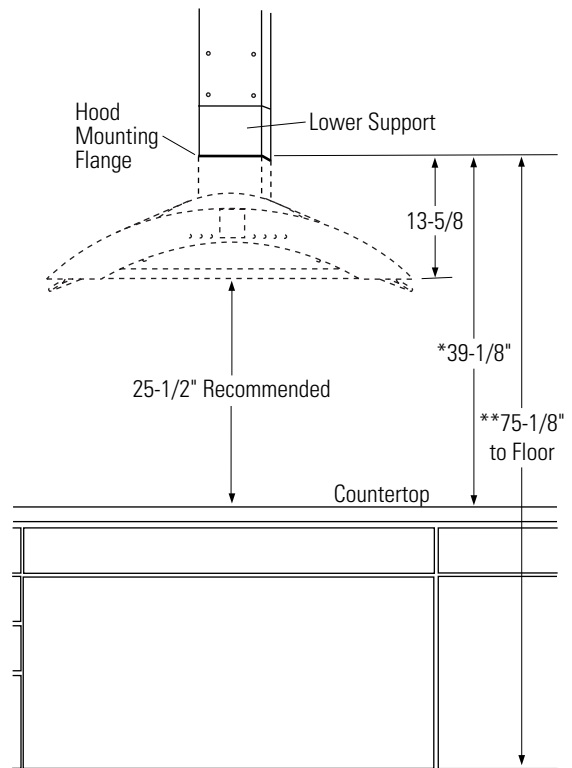
2 INSTALL UPPER SUPPORT FRAME

- Install the plastic upper duct connector to the upper support frame by inserting from the bottom and snapping into the opening of the air deflector (already installed).
- Secure the upper support frame to the ceiling joists and/or cross framing with the 4 screws provided. For maximum rigidity and strength, the screws must be driven into the center of the joists and/or cross framing.
- Check to be sure the support frame is level, vertically and horizontally.



3 INSTALL LOWER SUPPORT FRAME

- Insert lower support frame (from required accessory ZXR858, ZXR859 or ZXR8510) into the upper support frame and loosely secure with 8 screws and washers (4 on the front and 4 on the back sides).
- Adjust the lower support frame up or down to the desired height above the countertop. Tighten screws.



***Note:** 39-1/8" to top of hood flange can be increased up to 42" max.

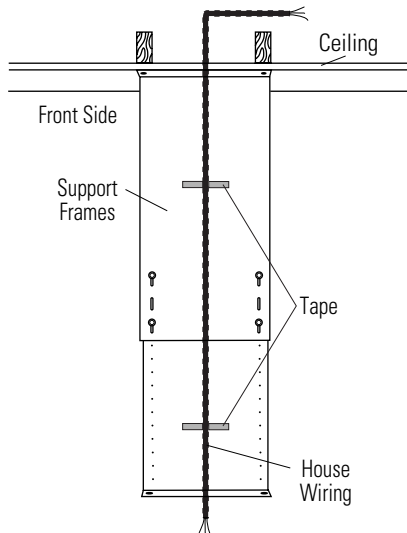
****75-1/8" min to floor, 77-7/8" max.**

Important: Again, check to be sure the support is level in both directions. There is no way to level the hood after the hood is secured to the frame.

Installation Instructions

4 SECURE WIRING

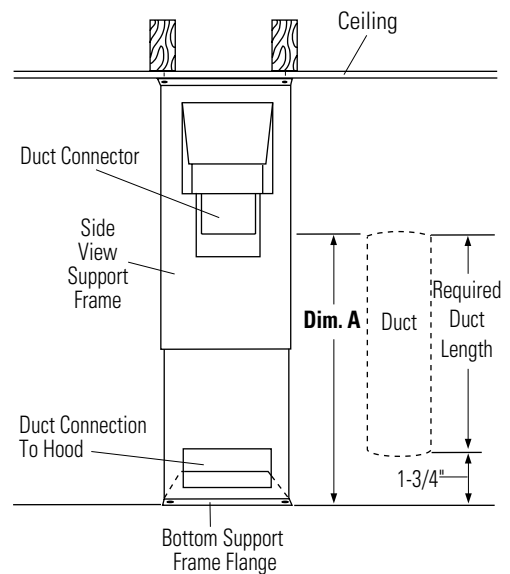
- Route house wiring through the ceiling hole and pull a length to reach the hood junction box, approximately 6" below the support.



- Tape the wire to the front of the frame support to prevent damage during installation and service.

5 SIZE AND INSTALL DUCTWORK

- Measure from top duct connector (Dim. A) to bottom of support frame.
 - Add at least 1" for duct overlap at the top.
 - Subtract 1-3/4" for hood insertion into the bottom of the frame.
- Cut the 6" dia. duct to the required length.

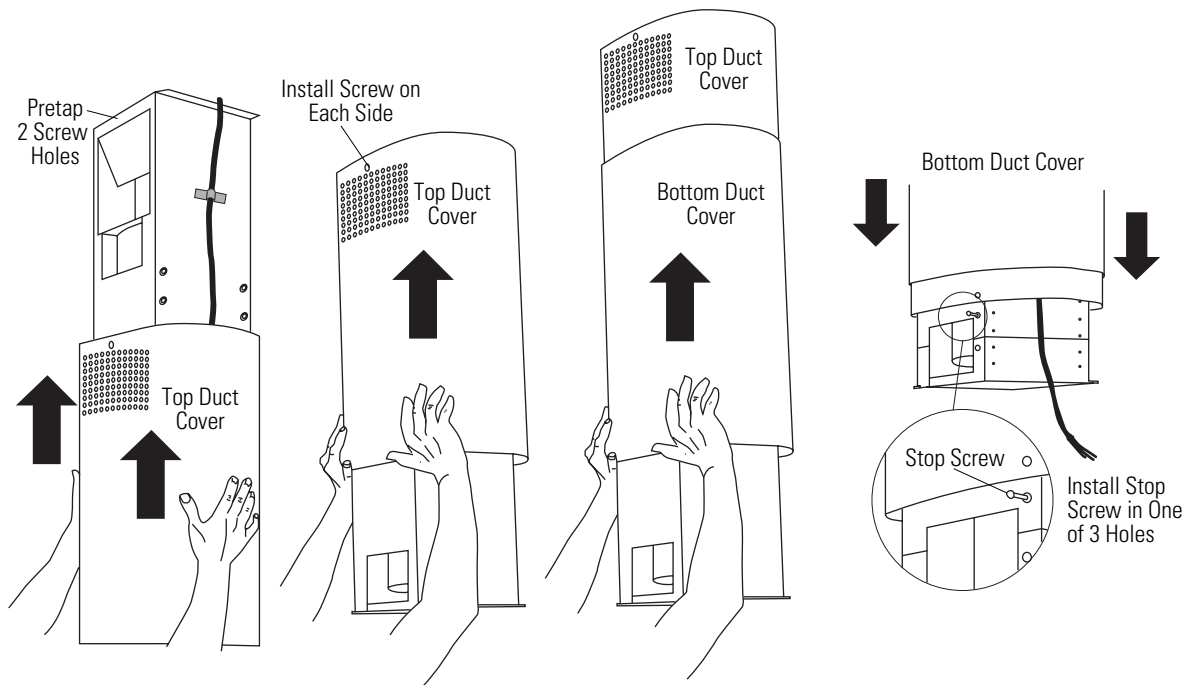


Note: The top and bottom of the duct are external (female) connections. The bottom end should be flared slightly, to facilitate installation of the hood.

- Install duct up through support frames onto the top duct connector. Push duct up until it is 1-3/4" from the bottom of support frame flange. See illustration.

Installation Instructions

6 INSTALL DECORATIVE DUCT COVERS



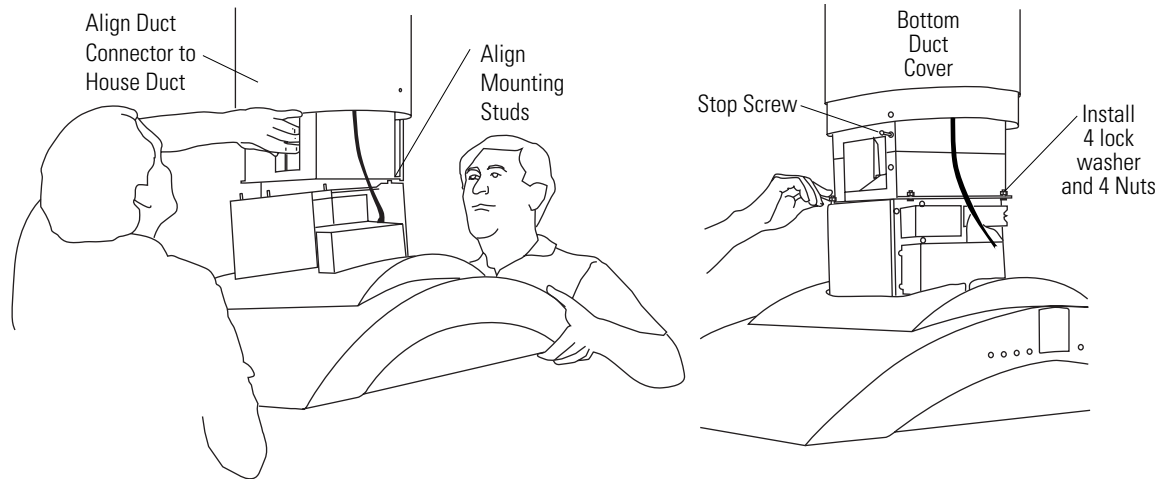
- Pretap or drive decorative screw into the screw holes on the support frame. This will make screw installation easier.
- Separate the two decorative duct covers.
- Select the inside (top) cover, which has vent hole pattern at the top.
- Slide the decorative duct cover over the support frame and push to the ceiling.
- Attach to the hood support at the top with 2 supplied decorative screws.
- Locate the stop screw in the envelope taped to the front of the hood. Set aside.

- Slide the lower decorative duct over the installed upper duct and push up, past the stop screw location.
- Install the supplied temporary stop screw in one of 3 holes in the support frame or the top duct cover to prevent the bottom decorative duct cover from sliding down.

CAUTION: The stop screw must be installed. Failure to do so could result in personal injury or damage to the duct cover.

Installation Instructions

7 INSTALL HOOD



Note: TWO PEOPLE ARE REQUIRED TO COMPLETE THIS INSTALLATION!

- Lift the hood up to the support frame. Carefully align the hood mounting studs into the support frame holes, and at the same time, guide the hood duct connector into the duct.
- Install 4 nuts and lock washers. Tighten with a 10mm wrench.

- Check hood level in both directions.
 - Check to be sure that the duct is positioned over the hood connector.
 - Seal the duct connection with duct tape.
- Note:** Do not drive screws through this duct connection. Doing so will prevent proper damper operation.

8 CONNECT ELECTRICAL

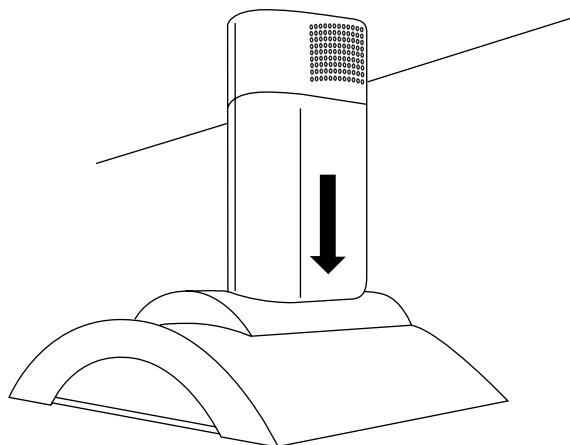
Verify that power is turned off at the source.

WARNING: If house wiring is not 2-wire with a ground wire, a ground must be provided by the installer. When house wiring is aluminum, be sure to use UL approved anti-oxidant compound and aluminum-to-copper connectors.

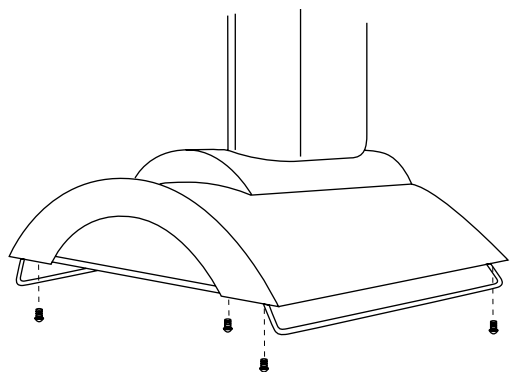
- Install strain relief onto the knockout of the junction box cover.
- Insert house wiring through strain relief and tighten.
- Connect white leads to branch circuit white lead.
- Connect black leads to branch circuit black lead.
- Connect green/yellow leads to branch circuit green or bare ground lead.
- Secure all connections with wire nuts on each electrical connector.
- Push wires into junction box and replace cover. Be sure wires are not pinched.

Installation Instructions

9 SLIDE DUCT COVER DOWN, INSTALL SIDE UTILITY BARS

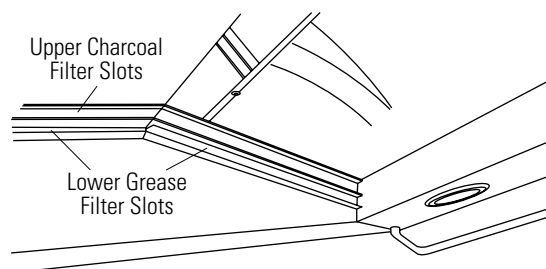


- Hold the decorative duct cover and remove the temporary stop screw from the support frame. Return the screw to the service manual envelope for future use.
- Slide the lower duct cover down onto the hood.



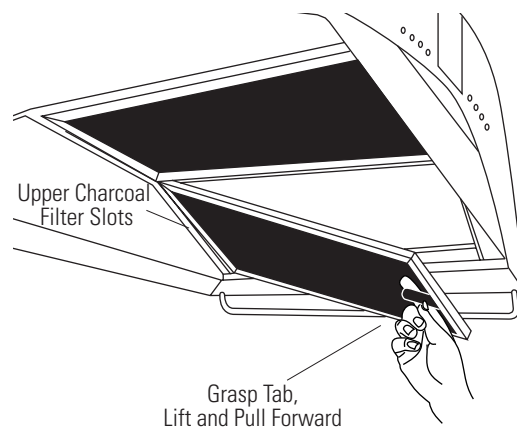
- Install the side utility bars with screws as shown.

10 INSTALL FILTERS



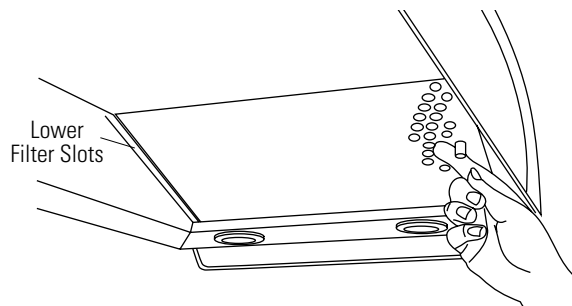
- There are two slots inside the back and front of the hood. These slots will hold the charcoal filters and stainless steel grease filters in place.

Install Charcoal Filters



- Remove protective film on charcoal filters.
- Tip charcoal filters into the upper (top) slots at the rear of the opening. Grasp the filter tab, lift and pull forward until it rests in the front slots.
- Install all 3 charcoal filters.

Install Grease Filters



- Remove protective film from grease filters.
- Tip the grease filter into the lower slots at the rear of the opening. Lift the filter and pull the knob forward until the filter rests on the slots.
- Install all 3 grease filters.
- To remove the filters, grasp the knob, push the filter towards the rear and tilt downwards. Grasp tabs on charcoal filters, push towards the rear and tilt downwards.

11 FINALIZE INSTALLATION

- Remove the protective film covering the control panel on the front face of the hood, and any other packaging materials.
- Refer to the Owner's Manual for operating instructions.



Monogram.[®]

GE Consumer & Industrial
GE Appliances
General Electric Company
Louisville, KY 40225
monogram.com
©2007 GE Company

Note: While performing installations described in this book, safety glasses or goggles should be worn.

For Monogram[™] local service in your area, call 1.800.444.1845.

Note: Product improvement is a continuing endeavor at General Electric. Therefore, materials, appearance and specifications are subject to change without notice.

Pub. No. 49-80045-2

04/07 JR

Printed in Italy

Free Manuals Download Website

<http://myh66.com>

<http://usermanuals.us>

<http://www.somanuals.com>

<http://www.4manuals.cc>

<http://www.manual-lib.com>

<http://www.404manual.com>

<http://www.luxmanual.com>

<http://aubethermostatmanual.com>

Golf course search by state

<http://golfingnear.com>

Email search by domain

<http://emailbydomain.com>

Auto manuals search

<http://auto.somanuals.com>

TV manuals search

<http://tv.somanuals.com>