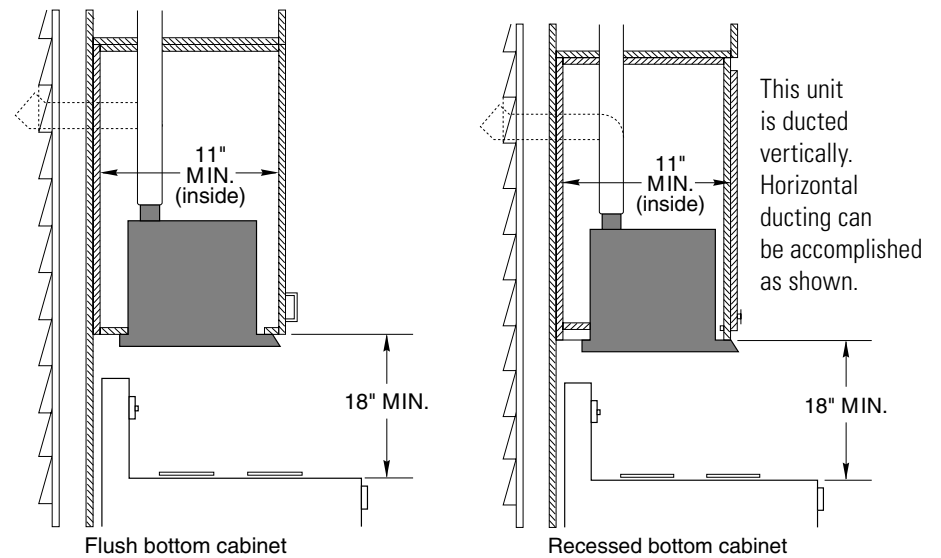
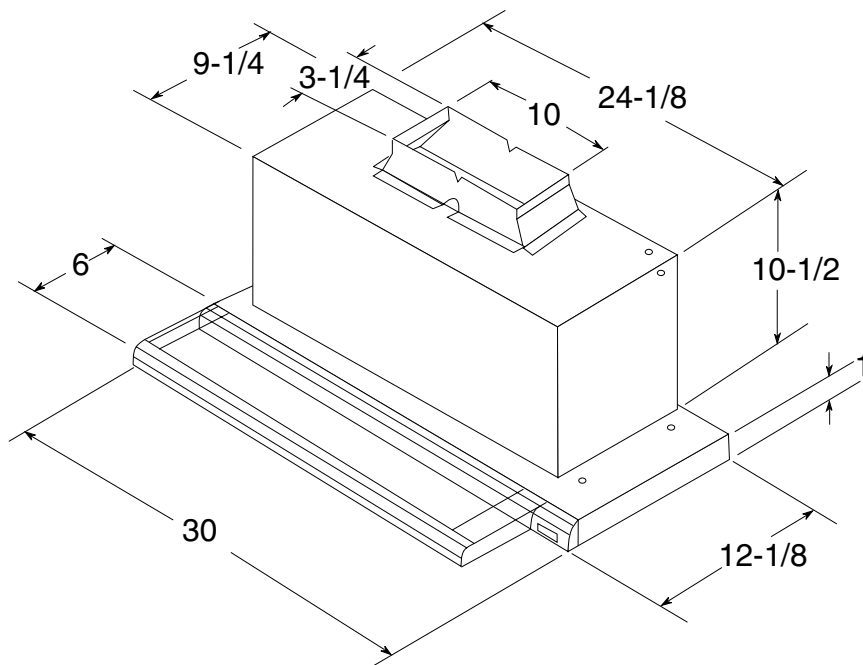




Profile™

JV396SCC – GE Profile™ Slide-Out Hood

Installation Information and Dimensions (in inches)



Amp Rating	
120V	3.7

Note: Remove glass visor from unit before installing hood in cabinet to protect visor from damage.

Installation Information: Before installing, consult Use & Care/installation instructions [Pub. No. 49-8463] packed with product for current dimensional data.

Specification Revised 5/04

220901

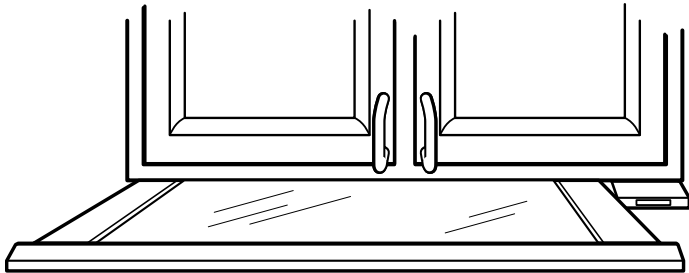


For answers to your Monogram,® GE Profile™ or GE® appliance questions, visit our website at GEAppliances.com or call GE Answer Center® service, 800.626.2000.



Profile™

JV396SCC – GE Profile™ Slide-Out Hood



Features and Benefits

- Bisque Model
- 30" Vented Hood With Cooktop Light
- See-Through Glass Visor Slides In and Out
- 300 CFM Performance With Variable Speed Fan Control
- Auto Heat Sensor
- Compact Housing Leaves Ample Shelf Space Behind Cabinet Doors
- Vertical Exhaust With 3-1/4" x 10" Rectangular Duct
- Sones Rating: Top Exhaust – 4.5
- Also Available In White on white as Model JV395S and Black on black as in Model JV394S

Free Manuals Download Website

<http://myh66.com>

<http://usermanuals.us>

<http://www.somanuals.com>

<http://www.4manuals.cc>

<http://www.manual-lib.com>

<http://www.404manual.com>

<http://www.luxmanual.com>

<http://aubethermostatmanual.com>

Golf course search by state

<http://golfingnear.com>

Email search by domain

<http://emailbydomain.com>

Auto manuals search

<http://auto.somanuals.com>

TV manuals search

<http://tv.somanuals.com>