

Ratio Check Kit

3A0421A

ENG

Use with mix manifold 258989 to check the ratio at the mix manifold on XP70 plural-component sprayers.

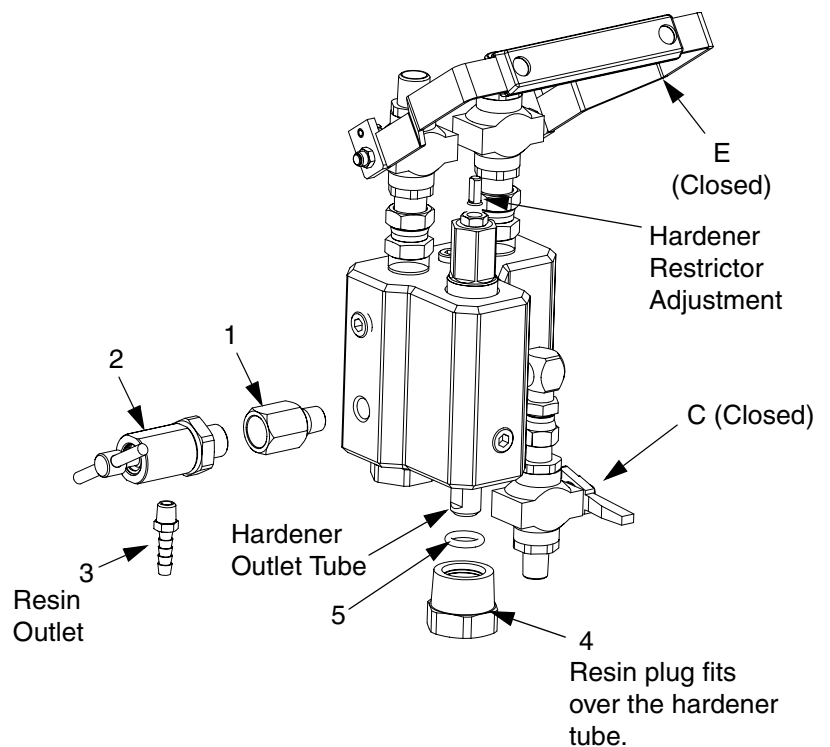


Important Safety Instructions

Read all warnings and instructions in the mix manifold manual 3A0590. Save all instructions.

Part No. 24F375

Ref.	Part No.	Description	Qty.
1	150287	COUPLING	1
2	245143	VALVE, pressure, bleed	1
3	116746	FITTING, barbed, plated	1
4	16E987	PLUG, ratio check	1
5	114315	O-RING	1



r_24F375_3A0421_1a-1

Overview

The ratio check kit is used in place of the static mixer or hose that would normally be attached to the outlet of mix manifold 258989.

The kit allows only the hardener to dispense out of the normal outlet. The resin is diverted to dispense out of the sample valve (2). The outlet plug (4) must be removed before returning to “mix” mode.

Installation

NOTICE

To prevent an inaccurate ratio check when feed pumps are used in your system, the feed pressure cannot be more than a maximum of 25% of the proportioner outlet pressure. High feed pressure can float the proportioner pump check balls, resulting in an inaccurate ratio check.

1. **Relieve pressure.** See mix manifold manual for instructions.
2. **Flush mixed material, if necessary.** See mix manifold manual for instructions.
3. Remove plug (P3) from the mix manifold.

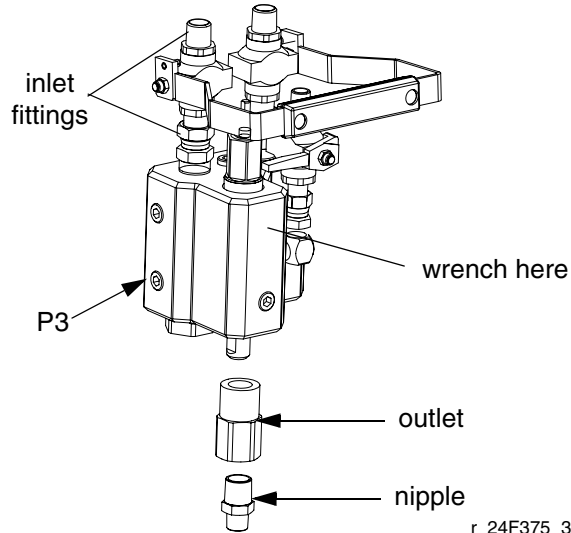


FIG. 1:

4. Place one wrench on the front of the manifold and use another wrench to remove the outlet fitting, nipple fitting, static mixer, and whip hose from the mix manifold outlet.

NOTICE

To prevent damage to the inlet swivel fittings, use a wrench on the front of the mix manifold.

5. Install coupling (1), sample valve (2), resin outlet fitting (3), o-ring (5), and resin plug (4) as shown on page 1.

NOTE: The resin plug (4) fits over the hardener outlet tube.

Procedure

1. Close the dual shutoff handle (E), sample valve (2), and solvent valve (C).
2. Set proportioner to 50% of spray pressure.
3. Place waster containers under the hardener and resin outlets. Open the dual shutoff handle (E). The hardener pressure will drop.
4. First time use:
 - a. Open the resin sample valve (2) until you have a typical flow or cycle rate.
 - b. Adjust the hardener restrictor stem in clockwise until the fluid pressure gauges are balanced.
 - c. Close the dual shutoff handle (E).
5. Use after the hardener restrictor stem is pre-set:
 - a. Open the resin sample valve (2) until the fluid pressure gauges are balanced.
 - b. Close the dual shutoff handle (E).
6. Hold graduated or tared containers under the resin outlet fitting (3) and under the hardener outlet tube.

Open ratio check valve (2) and shut off handle (E) and take ratio samples.

7. Close the dual shutoff handle (E) when you have enough material. Compare amounts in each container; amounts should correspond to desired ratio.

NOTE: If you know the mix ratio is by weight, weigh tared containers for a more accurate measure. The weight ratio will be different than the volume ratio unless both fluids have the same specific gravity.

8. Close the resin valve (2). This valve can be left in place for future ratio checks.
9. Flush the hardener outlet tube with solvent. See mix manifold manual for instructions.
10. Remove the ratio check plug (4) and o-ring (5) and save for future ratio checks.

NOTICE

To prevent damage to the inlet swivel fittings, use a wrench on the front of the mix manifold.

11. Reinstall fitting, static mixer, and hose.

NOTE: The hardener restrictor adjustment should now be set correctly for spraying mixed material and taking ratio checks. No further adjustments are required.

Graco Standard Warranty

Graco warrants all equipment referenced in this document which is manufactured by Graco and bearing its name to be free from defects in material and workmanship on the date of sale to the original purchaser for use. With the exception of any special, extended, or limited warranty published by Graco, Graco will, for a period of twelve months from the date of sale, repair or replace any part of the equipment determined by Graco to be defective. This warranty applies only when the equipment is installed, operated and maintained in accordance with Graco's written recommendations.

This warranty does not cover, and Graco shall not be liable for general wear and tear, or any malfunction, damage or wear caused by faulty installation, misapplication, abrasion, corrosion, inadequate or improper maintenance, negligence, accident, tampering, or substitution of non-Graco component parts. Nor shall Graco be liable for malfunction, damage or wear caused by the incompatibility of Graco equipment with structures, accessories, equipment or materials not supplied by Graco, or the improper design, manufacture, installation, operation or maintenance of structures, accessories, equipment or materials not supplied by Graco.

This warranty is conditioned upon the prepaid return of the equipment claimed to be defective to an authorized Graco distributor for verification of the claimed defect. If the claimed defect is verified, Graco will repair or replace free of charge any defective parts. The equipment will be returned to the original purchaser transportation prepaid. If inspection of the equipment does not disclose any defect in material or workmanship, repairs will be made at a reasonable charge, which charges may include the costs of parts, labor, and transportation.

THIS WARRANTY IS EXCLUSIVE, AND IS IN LIEU OF ANY OTHER WARRANTIES, EXPRESS OR IMPLIED, INCLUDING BUT NOT LIMITED TO WARRANTY OF MERCHANTABILITY OR WARRANTY OF FITNESS FOR A PARTICULAR PURPOSE.

Graco's sole obligation and buyer's sole remedy for any breach of warranty shall be as set forth above. The buyer agrees that no other remedy (including, but not limited to, incidental or consequential damages for lost profits, lost sales, injury to person or property, or any other incidental or consequential loss) shall be available. Any action for breach of warranty must be brought within two (2) years of the date of sale.

GRACO MAKES NO WARRANTY, AND DISCLAIMS ALL IMPLIED WARRANTIES OF MERCHANTABILITY AND FITNESS FOR A PARTICULAR PURPOSE, IN CONNECTION WITH ACCESSORIES, EQUIPMENT, MATERIALS OR COMPONENTS SOLD BUT NOT MANUFACTURED BY GRACO. These items sold, but not manufactured by Graco (such as electric motors, switches, hose, etc.), are subject to the warranty, if any, of their manufacturer. Graco will provide purchaser with reasonable assistance in making any claim for breach of these warranties.

In no event will Graco be liable for indirect, incidental, special or consequential damages resulting from Graco supplying equipment hereunder, or the furnishing, performance, or use of any products or other goods sold hereto, whether due to a breach of contract, breach of warranty, the negligence of Graco, or otherwise.

FOR GRACO CANADA CUSTOMERS

The Parties acknowledge that they have required that the present document, as well as all documents, notices and legal proceedings entered into, given or instituted pursuant hereto or relating directly or indirectly hereto, be drawn up in English. Les parties reconnaissent avoir convenu que la rédaction du présente document sera en Anglais, ainsi que tous documents, avis et procédures judiciaires exécutés, donnés ou intentés, à la suite de ou en rapport, directement ou indirectement, avec les procédures concernées.

Graco Information

For the latest information about Graco products, visit www.graco.com.

TO PLACE AN ORDER, contact your Graco distributor or call to identify the nearest distributor.

Phone: 612-623-6921 **or Toll Free:** 1-800-328-0211 **Fax:** 612-378-3505

All written and visual data contained in this document reflects the latest product information available at the time of publication. Graco reserves the right to make changes at any time without notice.

Original instructions. This manual contains English. MM 3A0421

Graco Headquarters: Minneapolis

International Offices: Belgium, China, Japan, Korea

GRACO INC. P.O. BOX 1441 MINNEAPOLIS, MN 55440-1441

Copyright 2010, Graco Inc. is registered to ISO 9001

www.graco.com

Free Manuals Download Website

<http://myh66.com>

<http://usermanuals.us>

<http://www.somanuals.com>

<http://www.4manuals.cc>

<http://www.manual-lib.com>

<http://www.404manual.com>

<http://www.luxmanual.com>

<http://aubethermostatmanual.com>

Golf course search by state

<http://golfingnear.com>

Email search by domain

<http://emailbydomain.com>

Auto manuals search

<http://auto.somanuals.com>

TV manuals search

<http://tv.somanuals.com>