

INSTRUCTIONS-PARTS LIST



GRACO

*First choice when
quality counts.™*

308-367

Rev. B
Supersedes Rev. A
and PCN B



INSTRUCTIONS

This manual contains important
warnings and information.
READ AND KEEP FOR REFERENCE.

23:1 RATIO

Monark® Sprayers

2760 psi (19.0 MPa, 190 bar) Maximum Fluid Working Pressure

120 psi (0.84 MPa, 8.4 bar) Maximum Air Inlet Pressure

Part No. 236-721

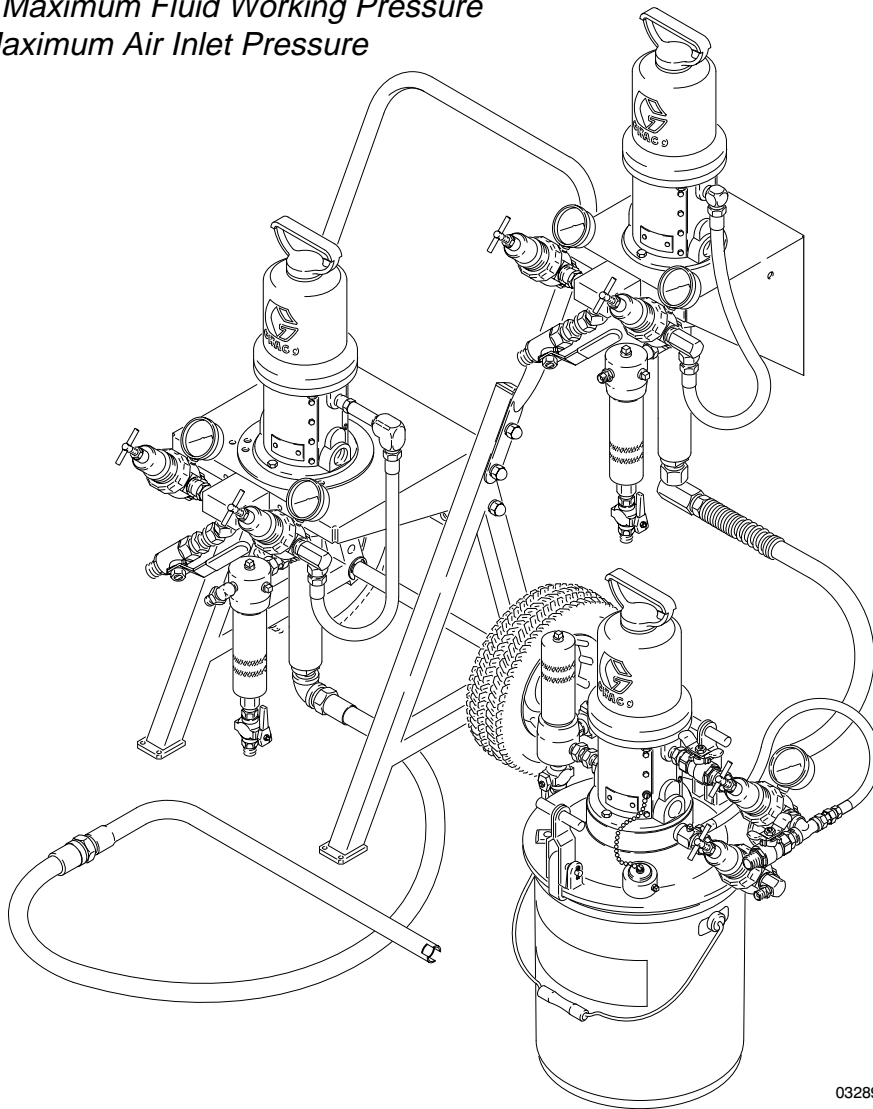
Cart Mounted pump

Part No. 236-722

Pail Mounted Pump

Part No. 236-723

Wall Mount Pump



03289A

GRACO INC. P.O. BOX 1441 MINNEAPOLIS, MN 55440-1441

©COPYRIGHT 1994, GRACO INC.

Graco Inc. is registered to I.S. EN ISO 9001

Table of Contents

Warnings	2
Assembling the Sprayer	4
Installation	5
Operation	7
Parts	10
Technical Data	15
Warranty	16
Graco Phone Number	16

Symbols

Warning Symbol



This symbol alerts you to the possibility of serious injury or death if you do not follow the instructions.

Caution Symbol



This symbol alerts you to the possibility of damage to or destruction of equipment if you do not follow the corresponding instructions.

! WARNING



INJECTION HAZARD

Spray from the gun, hose leaks, or ruptured components can inject fluid into your body and cause an extremely serious injury, including the need for amputation. Splashing fluid in the eyes or on the skin can also cause a serious injury.

- Fluid injected into the skin might look like just a cut, but it is a serious injury. **Get immediate medical attention.**
- Do not point the spray gun at anyone or at any part of the body.
- Do not put hand or fingers over the spray tip.
- Do not stop or deflect fluid leaks with your hand, body, glove, or rag.
- Always have the tip guard and the trigger guard on the spray gun when spraying.
- Check the gun diffuser operation weekly. Refer to the gun manual.
- Be sure the gun trigger safety operates before spraying.
- Lock the gun trigger safety when you stop spraying.
- Follow the **Pressure Relief Procedure** on page 7 whenever you: are instructed to relieve pressure; stop spraying; clean, check, or service the equipment; and install or clean the spray tip.
- Tighten all the fluid connections before operating the equipment.
- Check the hoses, tubes, and couplings daily. Replace worn, damaged, or loose parts immediately. Permanently coupled hoses cannot be repaired; replace the entire hose.



TOXIC FLUID HAZARD

Hazardous fluids or toxic fumes can cause a serious injury or death if splashed in the eyes or on the skin, swallowed, or inhaled.

- Know the specific hazards of the fluid you are using. Read the fluid manufacturer's warnings.
- Store hazardous fluid in an approved container. Dispose of the hazardous fluid according to all local, state, and national guidelines.
- Wear appropriate protective clothing, gloves, eyewear, and respirator.

WARNING



INSTRUCTIONS



EQUIPMENT MISUSE HAZARD

Equipment misuse can cause the equipment to rupture, malfunction, or start unexpectedly and result in a serious injury.

- This equipment is for professional use only.
- Read all the instruction manuals, tags, and labels before operating the equipment.
- Use the equipment only for its intended purpose. If you are uncertain about usage, call your Graco distributor.
- Do not alter or modify this equipment. Use only genuine Graco parts and accessories.
- Check the equipment daily. Repair or replace worn or damaged parts immediately.
- Do not exceed the maximum working pressure of the lowest rated system component. This equipment has a **2760 psi (19.0 MPa, 190 bar) maximum fluid working pressure at 120 psi (0.84 MPa, 8.4 bar) incoming air pressure.**
- Use fluids that are compatible with the equipment wetted parts. See the **Technical Data** section of all the equipment manuals. Read the fluid manufacturer's warnings.
- Route the hoses away from traffic areas, sharp edges, moving parts, and hot surfaces. Do not expose Graco hoses to temperatures above 180°F (82°C) or below -40°F (-40°C).
- Comply with all applicable local, state, and national fire, electrical, and other safety regulations.



FIRE AND EXPLOSION HAZARD

Improper grounding, poor air ventilation, open flames, or sparks can cause a hazardous condition and result in fire or explosion and serious injury.

- Ground the equipment and object being sprayed. See **Grounding** on page 5.
- Provide fresh air ventilation avoid the buildup of flammable fumes from solvent or the fluid being sprayed.
- Extinguish all the open flames or pilot lights in the spray area.
- Electrically disconnect all the equipment in the spray area.
- Keep the spray area free of debris, including solvent, rags, and gasoline.
- Do not turn on or off any light switch in the spray area while operating or if fumes or present.
- Do not smoke in the spray area.
- Do not operate a gasoline engine in the spray area.
- If there is any static sparking while using the equipment, **stop spraying immediately**. Identify and correct the problem.

Assembling the Sprayer

Cart Mounted Pump

Assemble the suction hose (6) to the elbow (5) at the pump intake. Screw the suction tube (7) onto the other end of the hose. See Fig. 1.

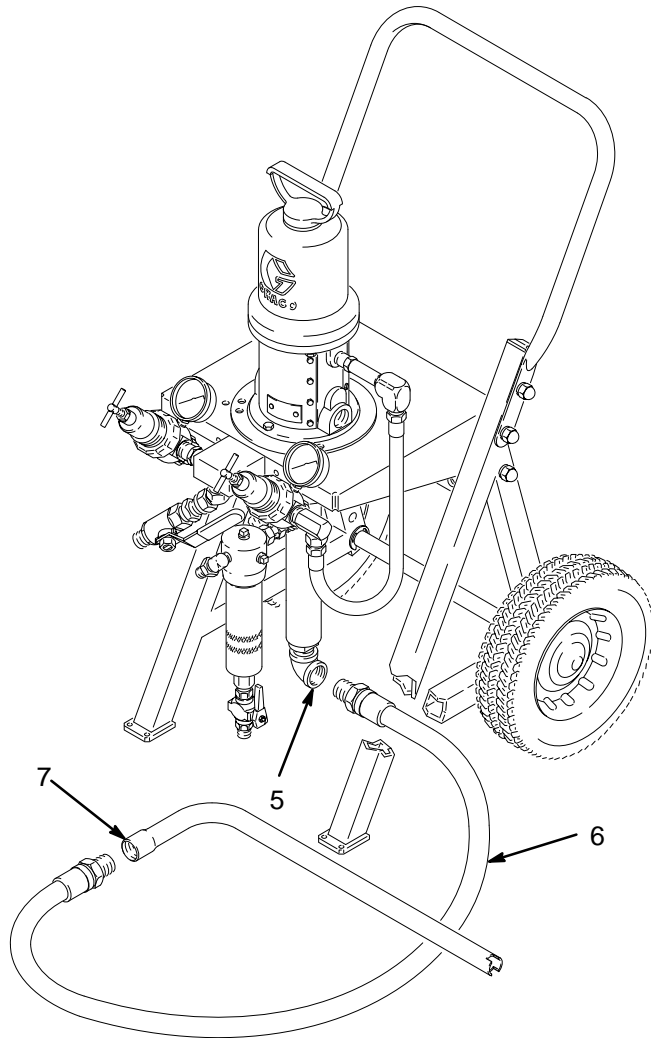


Fig. 1 03356

Wall Mount Pump

1. Screw the gauges (25) into the air regulators (F, G). See Fig. 2.
2. Connect the nipple (34) and bleed valve (30) to the swivel (36).
3. Install the air manifold assembly (S) to the wall bracket (7) using the two screws (29).

4. Screw the elbow (22) into the pump air inlet, so the female threads face down. Apply sealant to both ends of the hose (23). Connect one end to the elbow (22), then connect the other end to the swivel (24) at the pump air regulator (F).
5. Unscrew the filter bowl (T) from the top cap (U). Apply sealant to the threads of the nipple (14) and install the nipple and top cap in the pump outlet. Lubricate the threads of the filter bowl (T) and screw it into the top cap (U) tightly.
6. Mount the wall bracket 5 ft (1.5 m) above the floor. Be sure the wall is strong enough to support the weight of the pump and accessories, fluid, hoses, and stress caused during pump operation. Refer to manual 306-783 for further information.
7. Screw the suction kit swivel (13) onto the pump intake.

△ Apply thread sealant.

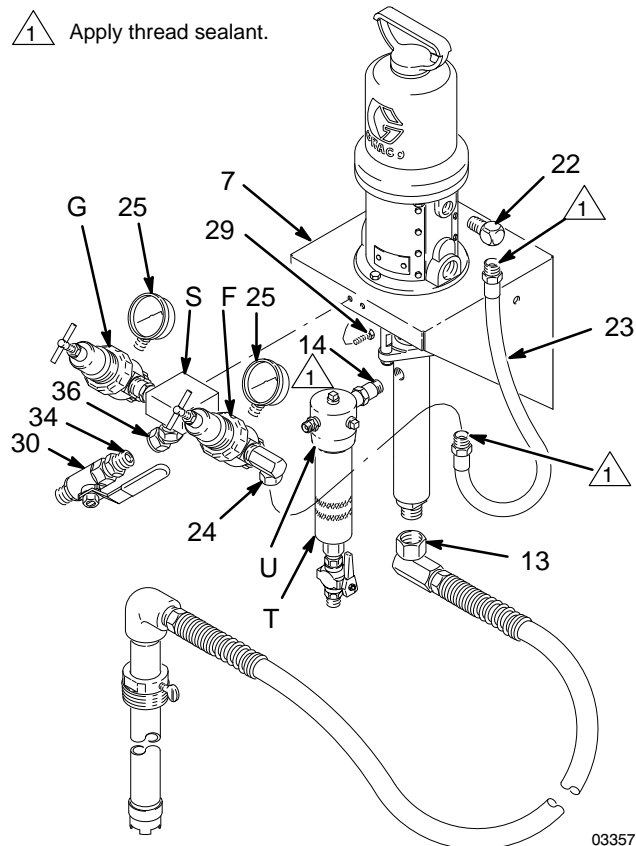


Fig. 2 Pail Mounted Pump 03357

The pail mounted pump is shipped completely assembled.

Installation

Be sure that all operators read and understand this entire manual and the separate manuals supplied with components and accessories before using this equipment.

Reference numbers and letters in parentheses refer to the figures and parts drawings.

Accessories mentioned are available from your Graco distributor. If you supply your own accessories, be sure they are adequately sized to meet your system's requirements.

The Typical Installation shown in Fig. 4 is only an example. For assistance in designing a system to meet your particular needs, contact your Graco distributor.

System Accessories

WARNING

Two required components are supplied with your pump, to help reduce the risk of serious injury including fluid injection, splashing in the eyes or on the skin, or injury from moving parts if you are adjusting or repairing the pump.

The *bleed-type master air valve (B)* relieves air trapped between this valve and the pump. Trapped air can cause the pump to cycle unexpectedly. **To bleed air from the pump, the pump air regulator (F) must be open when you close this valve.**

The *fluid drain valve (H)* assists in relieving fluid pressure in the displacement pump, hose, and gun; triggering the gun to relieve pressure may not be sufficient.

Install an air line filter (E) in the main air line, to remove harmful dirt and moisture from the compressed air supply. To provide automatic lubrication of the air motor, install an air line lubricator (P) downstream from the pump air regulator (F). Install a second master air valve (D) in the main air line, to isolate the accessories for servicing.

Grounding

To reduce the risk of static sparking, ground the pump, object being sprayed, and all other spray equipment used or located in the spray area. Check your local electrical code for detailed grounding instructions for your area and type of equipment. Be sure to ground all of this spray equipment.

1. *Pump*: loosen the grounding lug locknut (W) and washer (X). Insert one end of a 1.5 mm² (12 ga) minimum ground wire (Y) into the slot in lug (Z) and tighten the locknut securely. See Fig. 3. Connect the other end of the ground wire to a true earth ground.
2. *Air hoses*: use only grounded air hoses.
3. *Fluid hoses*: use only grounded fluid hoses.
4. *Air compressor*: follow manufacturer's recommendations.
5. *Spray gun*: grounding is obtained through connection to a properly grounded fluid hose and pump.
6. *Fluid supply container*: according to your local code.
7. *Object being sprayed*: according to your local code.
8. *All solvent pails used when flushing*, according to local code. Use only metal pails, which are conductive, placed on a grounded surface. Do not place the pail on a non-conductive surface, such as paper or cardboard, which interrupts the grounding continuity.
9. *To maintain grounding continuity when flushing or relieving pressure*, always hold a metal part of the spray gun firmly to the side of a grounded metal pail, then trigger the spray gun.

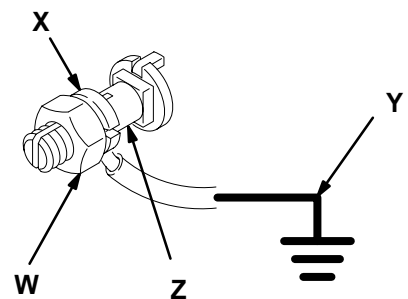


Fig. 3

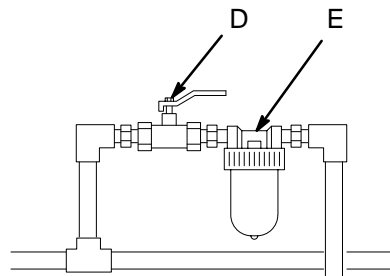
0864

Installation

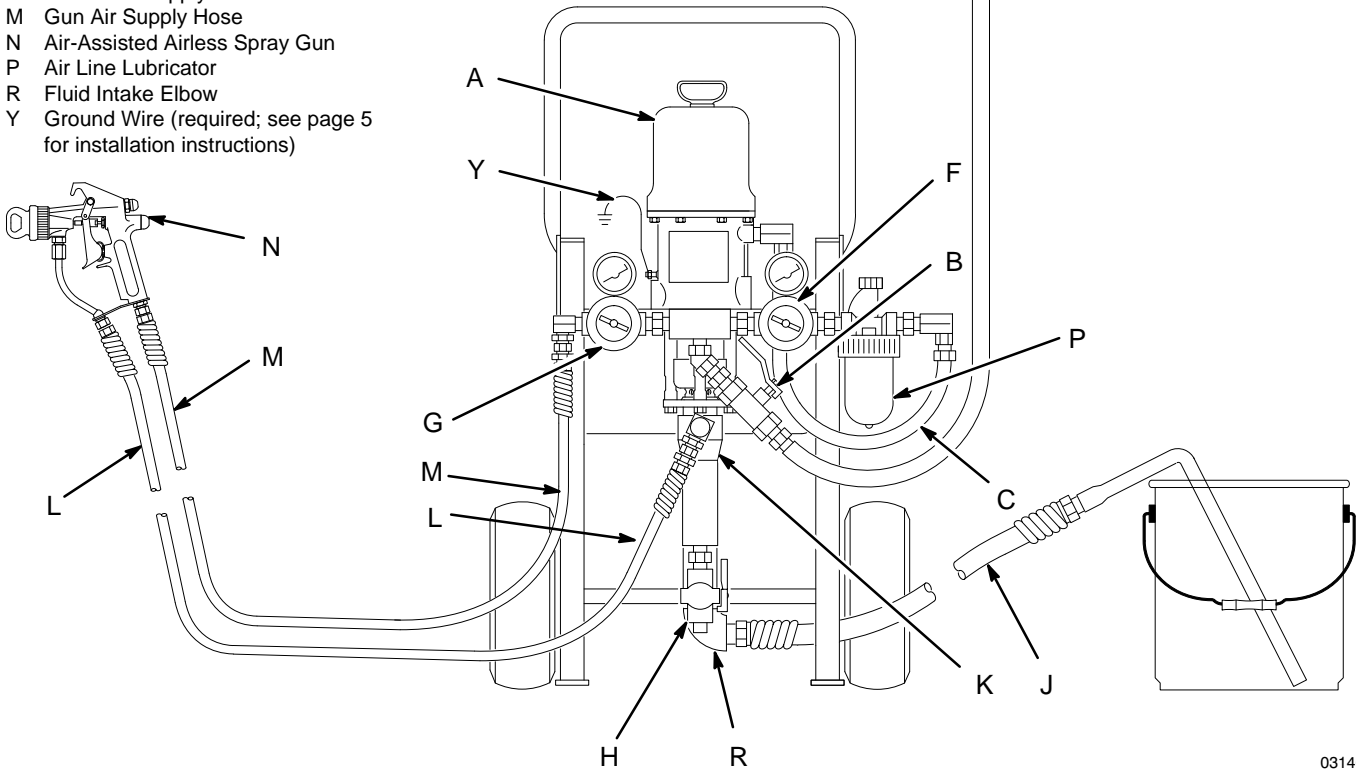
Typical Installation – Cart Mount Model Shown

KEY

- A Pump
- B Bleed-Type Master Air Valve
(required for pump)
- C Air Supply Line
- D Master Air Valve (for accessories)
- E Air Line Filter
- F Pump Air Regulator
- G Gun Air Regulator
- H Fluid Drain Valve (required)
- J Fluid Suction Line
- K Fluid Filter
- L Gun Fluid Supply Hose
- M Gun Air Supply Hose
- N Air-Assisted Airless Spray Gun
- P Air Line Lubricator
- R Fluid Intake Elbow
- Y Ground Wire (required; see page 5
for installation instructions)



NOTE: Some components shown are included with the sprayer, depending on the model. Refer to the parts lists on pages 10–15 for parts included in your sprayer.



03146

Fig. 4

Hose and Gun Connections

Refer to Fig. 4. Connect one end of the fluid hose (L) to the fluid filter (K) outlet and the other to the fluid inlet of the spray gun (N). Do not install the spray tip in the gun yet.

Close the bleed-type master air valve (B) and the air regulators (F, G). Connect a grounded air hose (M) between the outlet of the gun air regulator (G) and the air inlet of the spray gun (N). The pump air regulator (F) is connected to the pump (A) with a hose (C).

Operation

Pressure Relief Procedure

⚠ WARNING

INJECTION HAZARD
Fluid under high pressure can be injected through the skin and cause serious injury. To reduce the risk of an injury from injection, splashing fluid, or moving parts, follow the **Pressure Relief Procedure** whenever you:

- are instructed to relieve the pressure,
- stop spraying,
- check or service any of the system equipment,
- or install or clean the spray tips.

1. Engage the spray gun safety latch.
2. Close the bleed-type master air valve (supplied in your system).
3. Shut off the air regulators.
4. Disengage the spray gun safety latch.
5. Hold a metal part of the spray gun firmly to the side of a grounded metal pail, and trigger the spray gun to relieve pressure.
6. Engage the spray gun safety latch.
7. Open the drain valve (supplied in your system), having a container ready to catch the drainage.
8. Leave the drain valve open until you are ready to spray again.

If you suspect that the spray tip or hose is completely clogged, or that pressure has not been fully relieved after following the steps above, very slowly loosen the tip guard retaining nut or hose end coupling and relieve pressure gradually, then loosen completely. Now clear the tip or hose.

Flush the Pump Before Using

Pumps are tested with lightweight oil which is left in to protect the pump parts. To prevent contamination of the fluid, flush the pump with a compatible solvent before using it.

⚠ WARNING

Before flushing, be sure the entire system and flushing pails are properly grounded. Refer to **Grounding** on page 5. Follow the **Pressure Relief Procedure** at left, and remove the spray tip from the gun. Always use the lowest possible fluid pressure, and maintain firm metal-to-metal contact between the gun and the pail during flushing to reduce the risk of fluid injection, static sparking, and splashing in the eyes or on the skin.

Operation

Starting and Adjusting the Pump

WARNING

To reduce the risk of serious injury whenever you are instructed to relieve pressure, always follow the **Pressure Relief Procedure** on page 7.

See Fig. 5. Be sure the air regulators (F, G) and bleed-type master air valve (B) are closed. **Do not install the spray tip yet.**

On cart mount units, place the suction tube (7) in the fluid container.

On wall mount units, screw the bung adapter (18) into the container's bung hole. Slide the suction tube assembly (J) through the bung adapter and into the container. Position the tube so the intake housing (1) is about 1/2 in. (13 mm) off the bottom of the container. Tighten the thumbscrew (26) to secure.

On pail mount units, fill the pail (46) with fluid. Set the cover (36) on the pail and secure with the latches (40).

Open the drain valve (H) to prime the pump. Open the bleed-type master air valve (B). Open the gun air regulator (G). Hold a metal part of the spray gun firmly to the side of a grounded metal pail and trigger the gun.

Slowly open the pump air regulator (F) until the pump starts. Run the pump slowly until fluid comes from the drain valve (H). Close the drain valve and continue to run the pump until all the air is pushed out of the fluid lines. Release the gun trigger and engage the safety latch; the pump will stall against the pressure.

With the pump and lines primed, and with adequate air pressure and volume supplied, the pump will start and stop as the spray gun is triggered and released.

Relieve the pressure, then install the spray tip in the gun.

Use the pump air regulator (F) to control the pump speed and fluid pressure. Always use the lowest pressure necessary to achieve the desired results. Higher pressures waste fluid and cause premature wear of the pump packings and spray tip.

Keep the packing nut/wet-cup filled with Graco Throat Seal Liquid (TSL) to help prolong the packing life. Check the tightness of the packing nut weekly. The packing nut should be tight enough to prevent leakage – no tighter. Always **relieve the pressure** before adjusting the packing nut.

Never allow the pump to run dry of the fluid being pumped. A dry pump will quickly accelerate to a high speed, possibly damaging itself. If you pump accelerates quickly, or is running too fast, stop it immediately and check the fluid supply. If the supply container is empty and air has been pumped into the lines, refill the supply container and prime the pump and lines with fluid, being sure to eliminate all air from the fluid system, or flush the pump as described in **Shutdown and Care**, below.

Shutdown and Care

WARNING

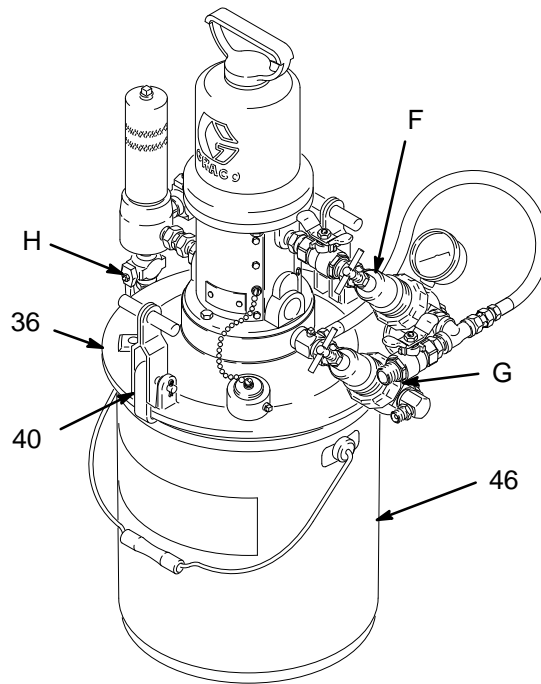
To reduce the risk of serious injury whenever you are instructed to relieve pressure, always follow the **Pressure Relief Procedure** on page 7.

Always **relieve the pressure** whenever you shut off the pump. Stop the pump at the bottom of its stroke to keep fluid from drying on the exposed displacement rod and damaging the throat packings.

Always flush the pump with a compatible solvent before fluid can dry on the displacement rod, and at the end of each day. **Relieve the pressure** after flushing.

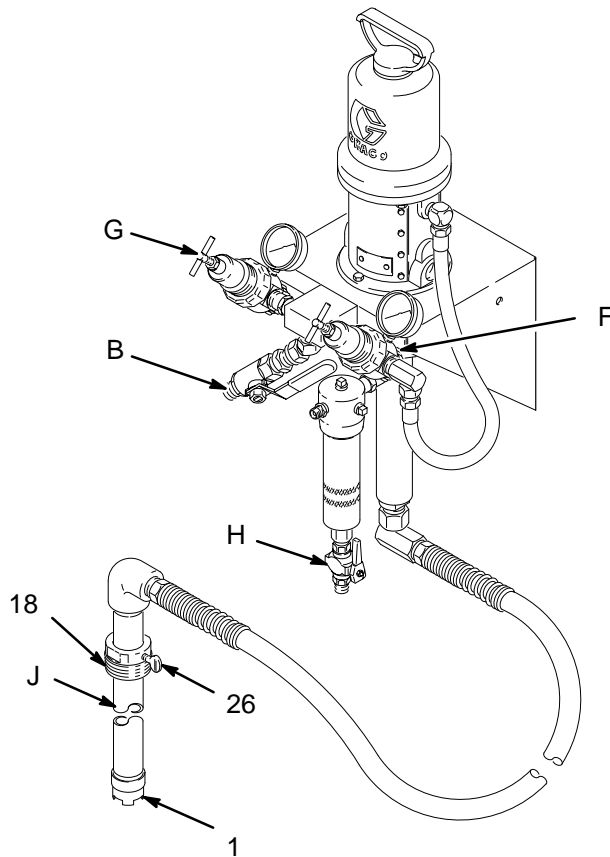
Operation

Pail Mounted Pumps



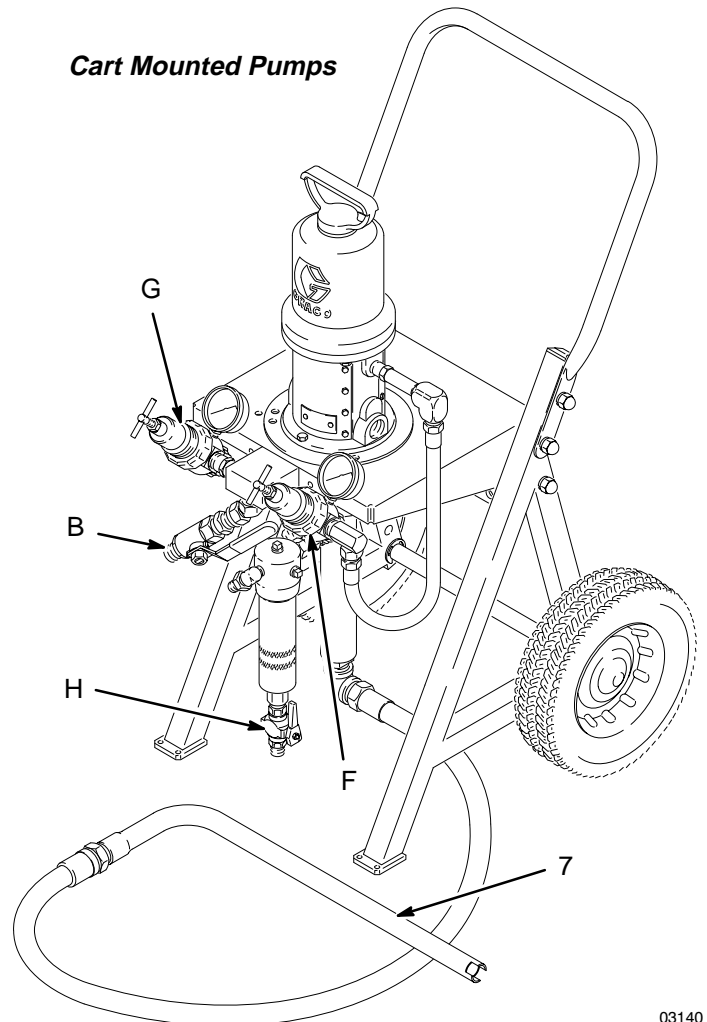
03145A

Wall Mount Pumps



03142

Cart Mounted Pumps



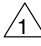
03140

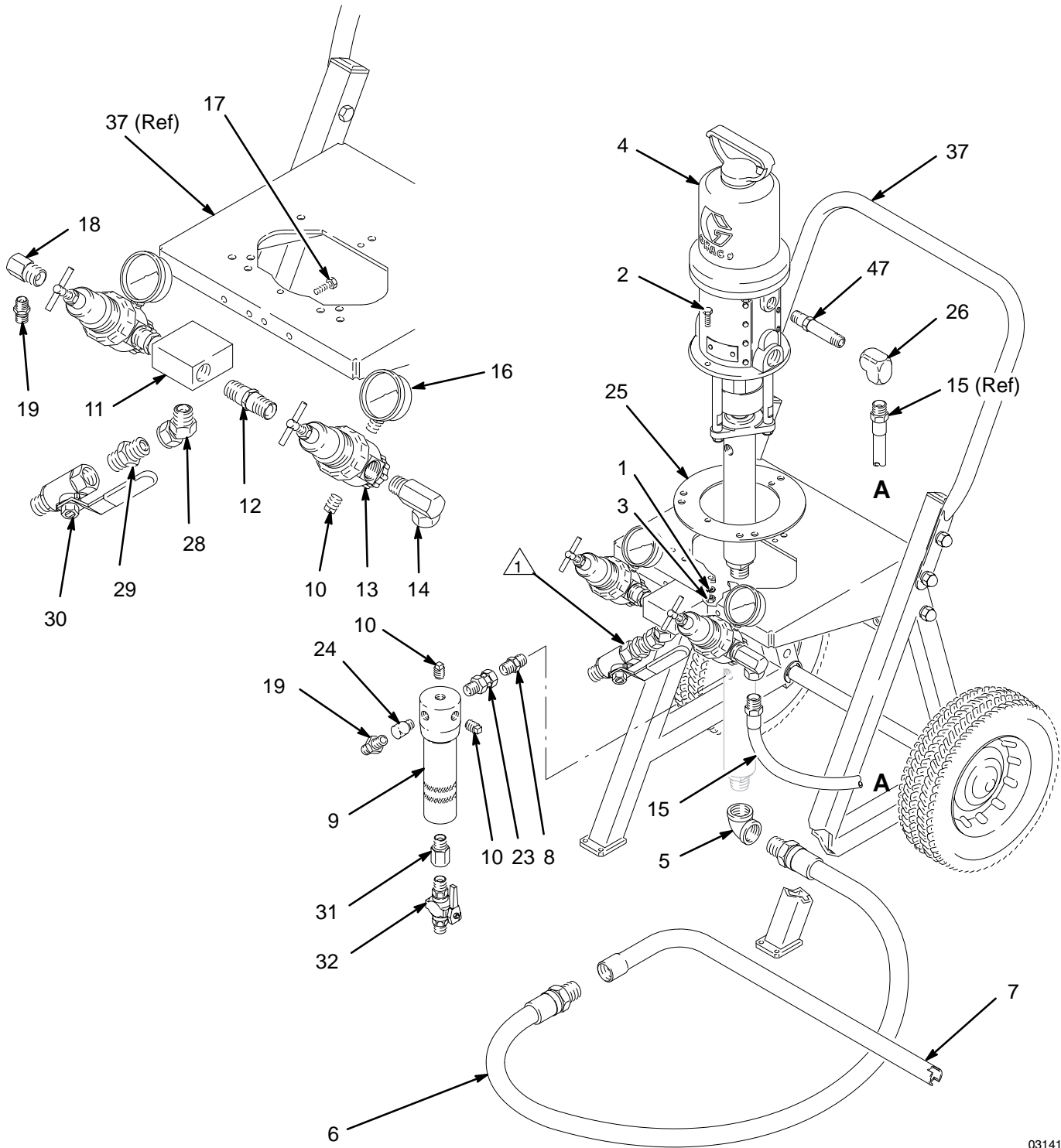
Fig. 5

Parts

Part No. 236-721 Cart Mounted Pump

NOTE: Apply thread sealant to all male threads, except at swivel connections.

 See Detail.



03141

Parts

Part No. 236–721

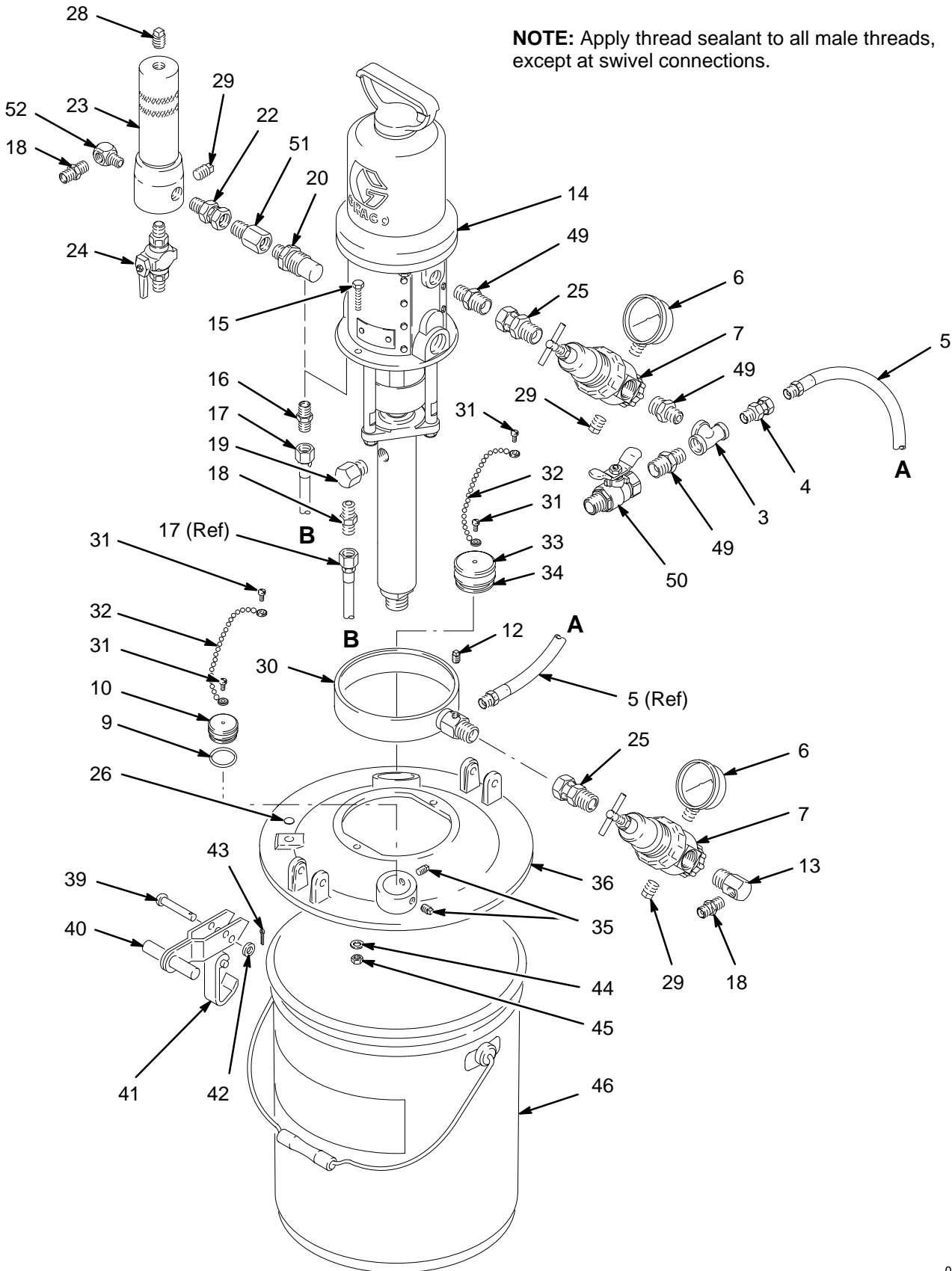
Cart Mounted Pump

Ref No.	Part No.	Description	Qty.	Ref No.	Part No.	Description	Qty.
				15	204–560	HOSE, air; buna-N; 3/8" (10 mm) ID; cpld 3/8 npt(mbe); 18" (457 mm) long	1
				16	101–180	GAUGE, air pressure; 0–200 psi (0–1.4 MPa, 0–14 bar)	2
1	100–016	LOCKWASHER, spring; 1/4"	2	17	102–254	SCREW, hex hd; 1/4–20 x 7/8" (22 mm) long	2
2	100–022	CAPSCREW, hex hd; 1/4–20 x 3/4" (19 mm) long	2	18	166–999	ELBOW, street, reducing; 1/2 npt(m) x 1/4 npt(f)	1
3	100–015	NUT, hex; 1/4–20	2	19	162–453	NIPPLE; 1/4 npt x 1/4 npsm	2
4	223–596	MONARK PUMP See manual 307–619 for parts	1	20	206–994	THROAT SEAL LIQUID; 8 oz (0.5 liter); not shown	1
5	100–349	ELBOW, fluid intake; 3/4 npt(fbe)	1	23	155–665	UNION, swivel; 3/8 npt(m) x 3/8 npsm(f)	1
6	214–960	HOSE, suction, fluid; nylon 3/4 npt(mbe); 3/4" (19 mm) ID; 3.5 ft (1.06 m) long	1	24	100–840	ELBOW; 1/4 npt (m x f)	1
7	165–767	TUBE, suction; 3/4 npt(f); aluminum	1	25	188–595	BRACKET, pump mounting	1
8	156–849	NIPPLE; 3/8 npt	1	26	165–472	ELBOW, 90°; 3/8 npt(fbe)	1
9	218–029	FLUID FILTER; carbon steel See manual 307–273 for parts	1	28	222–297	UNION, adapter, 45°; 1/2 npt(m) x 1/2 npsm(f) swivel	1
10	100–509	PLUG, pipe, sq hd; 1/4 npt	4	29	158–491	NIPPLE; 1/2 npt; 1.625" (41 mm) long	1
11	179–749	MANIFOLD, air; 1/2 npt inlet two 1/2 npt outlets	1	30	107–142	VALVE, air, bleed-type; 1/2 npt (m x f)	1
12	156–877	NIPPLE; 1/2 npt; 2.5" (63.5 mm)	2	31	150–286	ADAPTER; 3/8 npt (m x f)	1
13	104–267	AIR REGULATOR 0–125 psi (0–0.9 MPa, 0–9 bar) range See manual 308–167 for parts	2	32	210–658	BALL VALVE; 3/8 npt(mbe); carbon steel See manual 306–861 for parts	1
14	161–037	UNION, adapter, 90°; 1/2 npt(m) x 3/8 npsm(f) swivel	1	37	224–044	CART, portable See manual 308–136 for parts	1
				47	160–790	NIPPLE; 3/8 npt; 3.625" (92 mm) long	1

Parts

Part No. 236-722 Pail Mounted Pump

NOTE: Apply thread sealant to all male threads, except at swivel connections.



Parts

Part No. 236–722

Pail Mounted Pump

Ref No.	Part No.	Description	Qty.	Ref No.	Part No.	Description	Qty.
				23	218–029	FLUID FILTER; carbon steel; See manual 307–273 for parts	1
				24	210–657	BALL VALVE; 3/8 npt x 1/4 npt (mbe); See manual 306–861 for parts	1
				25	156–684	UNION, swivel; 1/2 npt(m) x 1/2 npt(f)	2
				26	101–380	BUTTON, plug	1
3	171–987	TEE; 3/8 npt(f) x 1/4 npt(f) run; 3/8 npt(f) branch	1	27	206–994	THROAT SEAL LIQUID; 8 oz (0.5 liter); not shown	1
4	156–823	UNION, swivel; 1/4 npt(m) x 1/4 npt(f)	1	28	104–813	PLUG, pipe; 3/8 npt	1
5	202–812	HOSE, air; neoprene; 1/4" (6 mm) ID; cpld 1/4 npt(mbe); 1.2 ft (0.36 m) long	1	29	100–721	PLUG, pipe; 1/4 npt	3
6	101–180	GAUGE, air pressure; 0–200 psi (0–1.4 MPa, 0–14 bar)	2	30	218–693	BASE, mounting, pump	1
7	104–267	AIR REGULATOR 0–125 psi (0–0.9 MPa, 0–9 bar) range See manual 308–167 for parts	2	31	100–933	SCREW, type F self-tapping No. 8–32 x 3/16" (5 mm)	2
9	160–516	O-RING; nitrile rubber	1	32	206–755	CORD, wire; 5/5" (140 mm) long	2
10	165–096	PLUG, inspection hole	1	33	164–726	PLUG, inspection hole	1
12	104–765	PLUG, pipe; 1/8 npt	1	34	156–593	O-RING; nitrile rubber	1
13	166–999	ELBOW, street, reducing; 1/2 npt(n) x 1/4 npt(f)	1	35	101–962	SCREW, socked hd set; 1/4–20 x 3/8" (10 mm)	2
14	223–596	MONARK PUMP See manual 307–619 for parts	1	36	179–917	COVER, pail	1
15	104–429	CAPSCREW, hex hd; 1/4–20 x 2.25 in. (57 mm)	2	39	161–395	PIN, pivot; 1/4" (6 mm) dia.; 2" (51 mm) long	2
16	156–971	NIPPLE; 1/4 npt	1	40	205–535	HANDLE, latch, cover	2
17	206–966	HOSE, fluid; PTFE 1/4" (6 mm) ID; 1/4 npsm(fbe); 12.5" (318 mm) long	1	41	204–534	HOOK, latch, cover	2
18	162–453	NIPPLE; 1/4 npt x 1/4 npsm	3	42	158–223	WASHER; steel	2
19	164–259	ELBOW, street; 3/8 npt(m) x 1/4 npt(f)	1	43	100–063	PIN, cotter; 0.06" (1.6 mm) dia.; 1/2" (13 mm) long	2
20	164–720	ELBOW, outlet; 3/4 npt(m) x 3/8 npt(m) x 1/4 npt(f)	1	44	100–016	LOCKWASHER, spring; 1/4"	2
22	155–665	UNION, swivel; 3/8 npt(m) x 3/8 npsm(f)	1	45	100–015	NUT, hex; 1/4–20	2
				46	101–108	PAIL	1
				49	159–239	NIPPLE, reducing; 1/2 npt x 3/8 npt	3
				50	107–142	VALVE, air, bleed-type; 1/2 npt (m x f)	1
				51	150–286	ADAPTER	1
				52	100–840	ELBOW, street	1

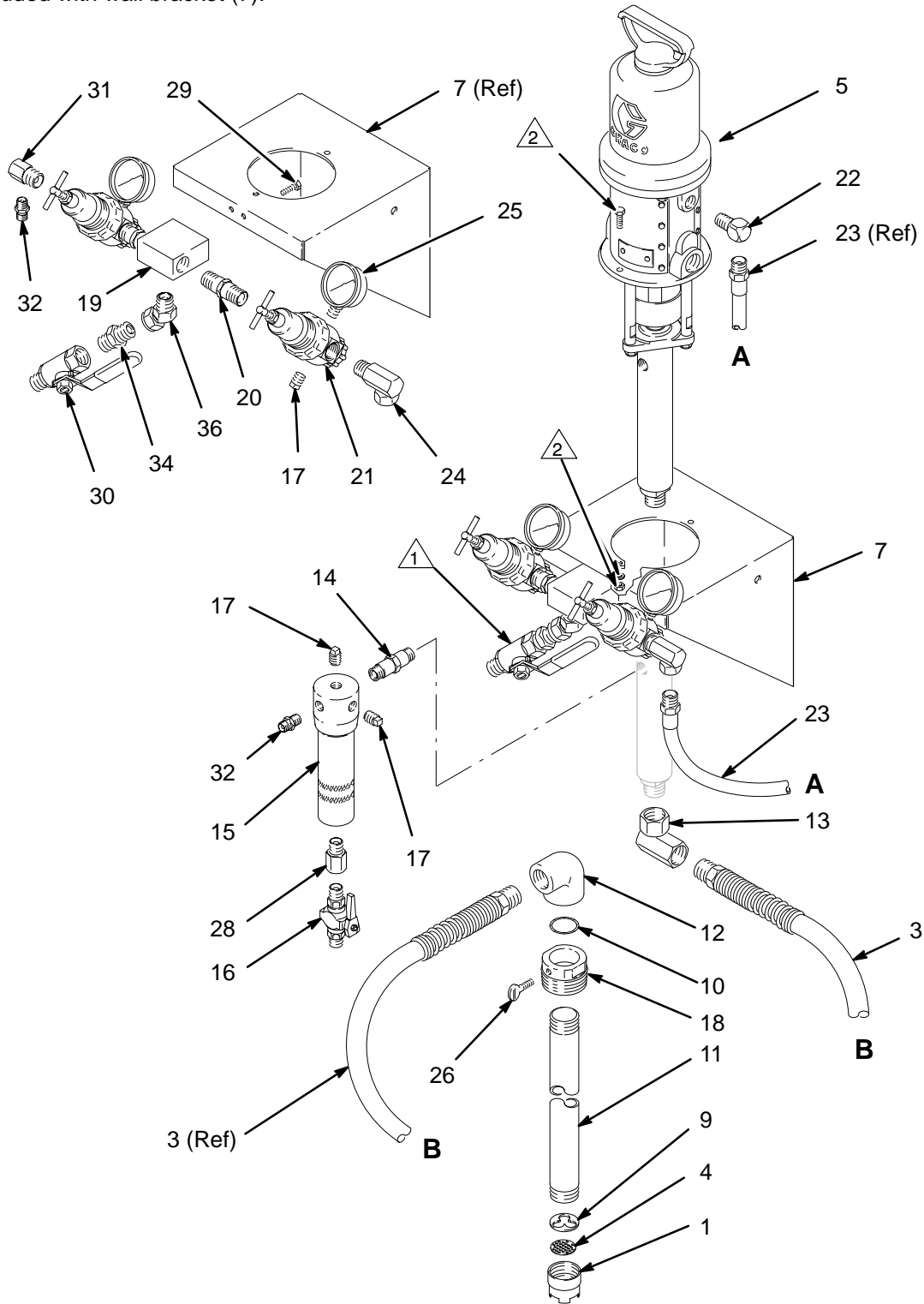
Parts

Part No. 236-723 Wall Mount Pump

△ 1 See Detail.

△ 2 Included with wall bracket (7).

NOTE: Apply thread sealant to all male threads, except at swivel connections.



03143

Parts

Part No. 236–723

Wall Mounted Pump

Ref No.	Part No.	Description	Qty.	Ref No.	Part No.	Description	Qty.
				18	176–684	ADAPTER, bung	1
				19	179–749	MANIFOLD, air; 1/2 npt inlet; two 1/2 npt outlets	1
1	159–101	HOUSING, suction tube intake	1	20	156–877	NIPPLE; 1/2 npt; 2.5" (63.5 mm)	2
3	214–961	HOSE, suction, fluid; nylon; 3/4 npt(mbe); 3/4" (19 mm) ID; 6 ft (1.83 m) long	1	21	104–267	AIR REGULATOR 0–125 psi (0–0.9 MPa, 0–9 bar) range See manual 308–167 for parts	2
4	161–377	SCREEN, suction tube intake	1	22	155–699	ELBOW, street, 90°; 3/8 npt(m x f)	1
5	223–596	MONARK PUMP See manual 307–619 for parts	1	23	204–560	HOSE, air; buna-N; 3/8" (10 mm) ID; cpld 3/8 npt(mbe); 18" (457 mm) long	1
7	207–365	BRACKET, wall See manual 306–783 for parts	1	24	161–037	UNION, adapter, 90°; 1/2 npt(m) x 3/8 npsm(f) swivel	1
8	206–994	THROAT SEAL LIQUID 9 oz (0.5 liter); not shown	1	25	101–180	GAUGE, air pressure 0–200 psi (0–1.4 MPa, 0–14 bar)	2
9	159–100	STOP, ball	1	26	100–220	THUMBSCREW; 5/16–18 unc; 1" (25 mm) long	1
10	156–593	O-RING, buna-N	1	27	110–110	SEALANT, pipe	1
11	156–592	TUBE, suction; 1–1/2 uns–2a (mbe); carbon steel	1	28	150–286	ADAPTER; 3/8 npt(m x f)	1
12	156–591	ELBOW, 90°; 3/4 npt x 1–1/2 uns–2b (fbe)	1	29	102–254	SCREW, hex hd; 1/4–20 x 7/8" (22 mm) long	2
13	156–589	ADAPTER swivel, fluid intake, 90°; 3/4 npt(f) x 3/4 npt(f) swivel	1	30	107–142	VALVE, air, bleed-type; 1/2 npt (m x f)	1
14	156–850	NIPPLE; 3/8 npt	1	31	166–999	ELBOW, street, reducing; 1/2 npt(m) x 1/4 npt(f)	1
15	218–029	FLUID FILTER; carbon steel See manual 307–273 for parts	1	32	162–453	NIPPLE; 1/4 npt x 1/4 npsm	2
16	210–658	BALL VALVE; 3/8 npt(mbe); carbon steel See manual 306–861 for parts	1	34	158–491	NIPPLE; 1/2 npt; 1.625" (41 mm) long	1
17	100–509	PLUG, pipe, sq hd; 1/4 npt	4	36	222–297	UNION, adapter, 45°; 1/2 npt(m) x 1/2 npsm(f) swivel	1

Technical Data

Category	Data
Maximum working pressure	2760 psi (19.0 MPa, 190 bar)
Maximum incoming air pressure	120 psi (0.84 MPa, 8.4 bar)
Ratio	23:1
Wetted parts – Pump	See manual 307–619
Wetted parts – Fluid Filter	See manual 307–273
Wetted parts – Fluid Fittings	Carbon Steel

Manual Change Summary

- This manual was revised to include the changes from PCN B.

The Graco Warranty

Graco warrants all equipment listed in this manual which is manufactured by Graco and bearing its name to be free from defects in material and workmanship on the date of sale by an authorized Graco distributor to the original purchaser for use. With the exception of any special extended or limited warranty published by Graco, Graco will, for a period of twelve months from the date of sale, repair or replace any part of the equipment determined by Graco to be defective. This warranty applies only when the equipment is installed, operated and maintained in accordance with Graco's written recommendations.

This warranty does not cover, and Graco shall not be liable for general wear and tear, or any malfunction, damage or wear caused by faulty installation, misapplication, abrasion, corrosion, inadequate or improper maintenance, negligence, accident, tampering, or substitution of non-Graco component parts. Nor shall Graco be liable for malfunction, damage or wear caused by the incompatibility of Graco equipment with structures, accessories, equipment or materials not supplied by Graco, or the improper design, manufacture, installation, operation or maintenance of structures, accessories, equipment or materials not supplied by Graco.

This warranty is conditioned upon the prepaid return of the equipment claimed to be defective to an authorized Graco distributor for verification of the claimed defect. If the claimed defect is verified, Graco will repair or replace free of charge any defective parts. The equipment will be returned to the original purchaser transportation prepaid. If inspection of the equipment does not disclose any defect in material or workmanship, repairs will be made at a reasonable charge, which charges may include the costs of parts, labor, and transportation.

Graco's sole obligation and buyer's sole remedy for any breach of warranty shall be as set forth above. The buyer agrees that no other remedy (including, but not limited to, incidental or consequential damages for lost profits, lost sales, injury to person or property, or any other incidental or consequential loss) shall be available. Any action for breach of warranty must be brought within two (2) years of the date of sale.

GRACO MAKES NO WARRANTY, AND DISCLAIMS ALL IMPLIED WARRANTIES OF MERCHANTABILITY AND FITNESS FOR A PARTICULAR PURPOSE IN CONNECTION WITH ACCESSORIES, EQUIPMENT, MATERIALS OR COMPONENTS SOLD BUT NOT MANUFACTURED BY GRACO. These items sold, but not manufactured by Graco (such as electric motors, gas engines, switches, hose, etc.), are subject to the warranty, if any, of their manufacturer. Graco will provide purchaser with reasonable assistance in making any claim for breach of these warranties.

In no event will Graco be liable for indirect, incidental, special or consequential damages resulting from Graco supplying equipment hereunder, or the furnishing, performance, or use of any products or other goods sold hereto, whether due to a breach of contract, breach of warranty, the negligence of Graco, or otherwise.

FOR GRACO CANADA CUSTOMERS

The parties acknowledge that they have required that the present document, as well as all documents, notices and legal proceedings entered into, given or instituted pursuant hereto or relating directly or indirectly hereto, be drawn up in English. Les parties reconnaissent avoir convenu que la rédaction du présente document sera en Anglais, ainsi que tous documents, avis et procédures judiciaires exécutés, donnés ou intentés à la suite de ou en rapport, directement ou indirectement, avec les procédures concernées.

Graco Phone Number

TO PLACE AN ORDER, contact your Graco distributor, or call this number to identify the distributor closest to you:
1-800-367-4023 Toll Free.

*All written and visual data contained in this document reflects the latest product information available at the time of publication.
Graco reserves the right to make changes at any time without notice.*

Sales Offices: Minneapolis, Detroit, Los Angeles
Foreign Offices: Belgium, Canada, England, Korea, France, Germany, Hong Kong, Japan

GRACO INC. P.O. BOX 1441 MINNEAPOLIS, MN 55440-1441

PRINTED IN U.S.A. 308-367 May 1994, Revised July 1997

Free Manuals Download Website

<http://myh66.com>

<http://usermanuals.us>

<http://www.somanuals.com>

<http://www.4manuals.cc>

<http://www.manual-lib.com>

<http://www.404manual.com>

<http://www.luxmanual.com>

<http://aubethermostatmanual.com>

Golf course search by state

<http://golfingnear.com>

Email search by domain

<http://emailbydomain.com>

Auto manuals search

<http://auto.somanuals.com>

TV manuals search

<http://tv.somanuals.com>