

DataTrak[®] Kits

313840G

EN

For providing pump diagnostics and material usage information for diaphragm pumps.

Conversion Kits - DataTrak with Pulse Count and Runaway Protection

Husky[®] 1050 - 24B777, 24B784, and 24B793

Husky[®] 3300 - 24K861 and 24K862

Conversion Kits - DataTrak with Pulse Count

Husky[®] 1050 and Husky[®] 3300 - 24B794 and 24B795

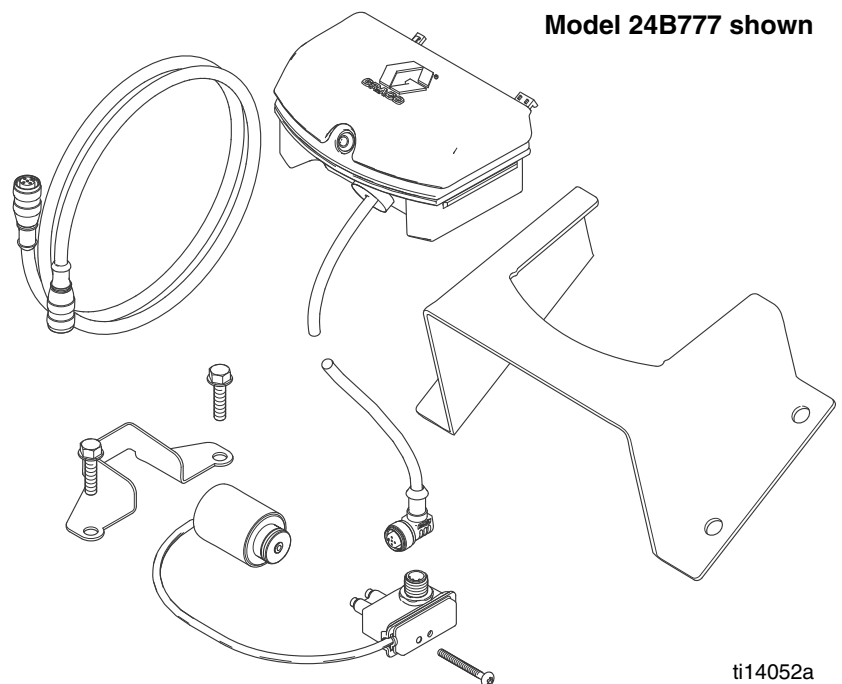
Replacement Parts Kits 24B771, 24B772, 24B796, 24B798, 24K863, and 24K864

See page 3 for model information, including agency approvals.



Important Safety Instructions

Read all warnings and instructions in the Husky[®] 1050 or Husky[®] 3300 Air-Operated Diaphragm Pump manuals. Save all instructions.



ti14052a

Contents

Contents 2

Related Manuals 2

DataTrak Kits 3

Installation 4

 Prepare to Install 4

 Install the Kit 4

 Check DataTrak Operation 5

DataTrak Controls and Indicators 6

DataTrak Operation 7

 Setup Mode 7

 Run Mode 7

 Calibration Procedure 9

Parts 14

Graco Standard Warranty 18

Graco Information 18

Related Manuals

Manual	Description
312877	1050 Air-Operated Diaphragm Pump, Operation
313435	1050 Air-Operated Diaphragm Pump, Repair/Parts
3A0410	3300 Air-Operated Diaphragm Pump, Operation
3A0411	3300 Air-Operated Diaphragm Pump, Repair/Parts

DataTrak™ includes agency approvals listed below.



DataTrak Kits

Conversion Kits

Use to add data monitoring capabilities to an existing pump.

Husky 1050	Husky 3300	Diaphragm Pump Material	Data Monitoring	
			Pulse Count and Runaway Protection	Pulse Count
24B777	24K861	Aluminum	✓*	
24B795	24B795			✓
24B784	24K862	Polypropylene	✓*	
24B794	24B794			✓
24B793		Conductive Polypropylene	✓*	
24B794				✓

* Kit includes replacement air valve compatible with solenoid.

Replacement Part Kits

Aluminum

Husky 1050A	Husky 3300A	Description
24B772	24K864	Solenoid/Reed Switch Assembly (pulse count and runaway protection)
24B798	24B798	Reed Switch Assembly (pulse count only)

Polypropylene and Conductive Polypropylene

Husky 1050P or 1050C	Husky 3300P	Description
24B771	24K863	Solenoid/Reed Switch Assembly (pulse count and runaway protection)
24B796	24B796	Reed Switch Assembly (pulse count only)

Installation

! WARNING

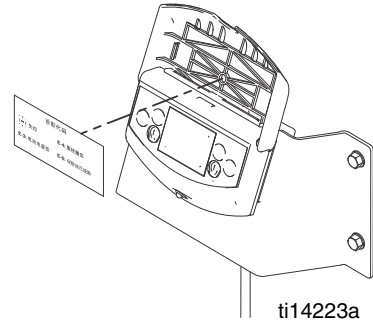


SPECIAL CONDITIONS FOR SAFE USE

Equipment must comply with the following conditions to avoid a hazardous condition which can cause fire or explosion.

- All label and marking material must be cleaned with a damp cloth (or equivalent).
- The electronic monitoring system is required to be grounded. See **Grounding** instructions in your pump operation manual.

4. Select the Diagnostic Codes card that matches the operator's preferred language. Insert it in the inside of the DataTrak cover for quick reference.



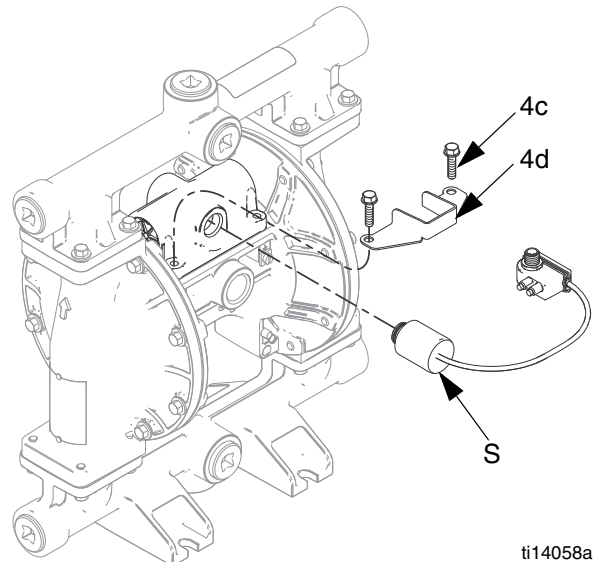
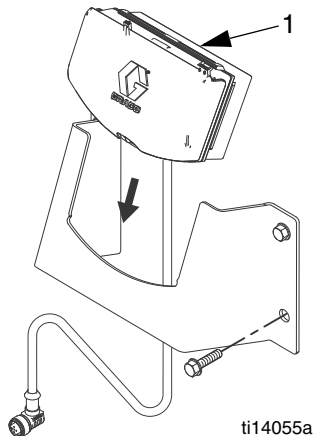
Prepare to Install

1. Relieve the pressure. Follow instructions in your Operation manual.
2. Disconnect the air line to the pump.

5. *DataTrak with runaway protection:* Attach the solenoid (S) and bracket (4d) to the air valve. Use the same screws (4c) that attach the air valve to the manifold, as shown.

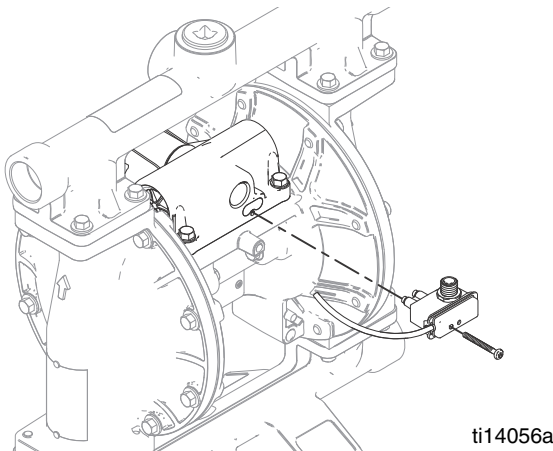
Install the Kit

1. Mount the bracket to the wall. Use approximately 3/8 in. bolts or screws.
2. Install the DataTrak module (1) on the bracket.

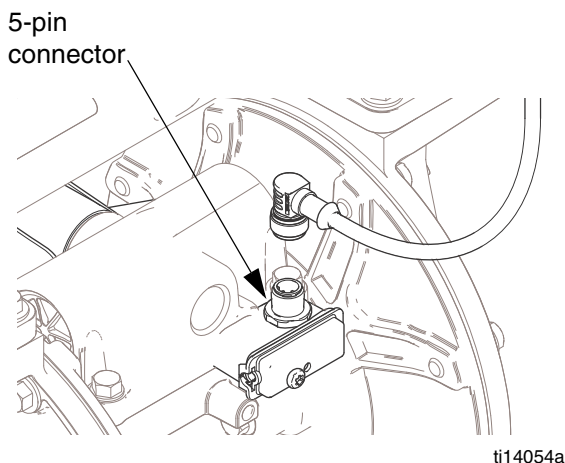


3. *Conversion Kits* include a new air valve that is compatible with the solenoid. Remove the old air valve and gasket from the pump, and install the replacement air valve and gasket.

6. Use the screw provided to attach the reed switch just behind the air inlet. Remove the muffler, if needed, for easier access. Rotate the air inlet fitting as needed so the wrench flat clears the reed switch.




7. Connect the DataTrak cable to the 5-pin connector on the reed switch. Reconnect the air line to the motor.



8. Secure DataTrak data cable. A plastic spiral conduit is provided to help prevent chafing.

Check DataTrak Operation

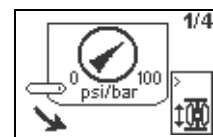
1. Enable runaway  and set the runaway limit. See **Setup Mode**, page 7.
2. Run the air motor at a speed slower than the runaway limit.
3. Check for proper reed switch operation.


- a. The DataTrak pump icon should move when the air motor changes direction.
- b. The Grand Totalizer and Batch Totalizer should advance.

4. *DataTrak with runaway protection*: Check for proper runaway operation.

- a. Run the air motor at a speed faster than the runaway limit.

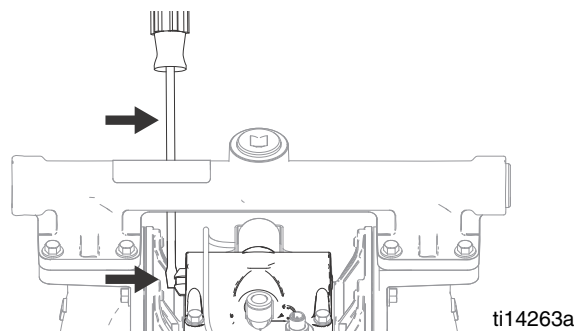
- b. After 5 consecutive cycles, the DataTrak should stop the pump and display the runaway diagnostic screen.



- c. To reset, turn the pressure off, then push  on the DataTrak module.

- d. After resetting, turn on the air supply. The air motor should run. Shut off the air until ready to pump.

NOTE: If the DataTrak does not reset, turn air pressure down, then use a screwdriver to push the solenoid release button on the side of the air valve.



5. Configure the DataTrak as needed. See page 7.

DataTrak Controls and Indicators

- Key**
- AA Runaway Limit, in cycles per minute (user settable; 00=OFF)
 - AB Displacement (user settable)
 - AC Flow Rate Units (user settable to \updownarrow /min, gpm [US], gpm [Imperial], oz/min [US], oz/min [Imperial], l/min, or cc/min)
 - AD LED (fault indicator when flashing)
 - AE Display
 - PF Prime/Flush Key (Enables Prime/Flush mode. While in Prime/Flush mode, runaway protection is disabled and the batch totalizer [BT] will not count.) LED will flash while in Prime/Flush mode.
 - RK Reset Key (Resets faults. Press and hold for 3 seconds to clear the batch totalizer.) Push to toggle between flow rate and cycle rate.
 - CF Cycle/Flow Rate
 - BT Batch Totalizer (resettable)
 - GT Grand Totalizer (not resettable)

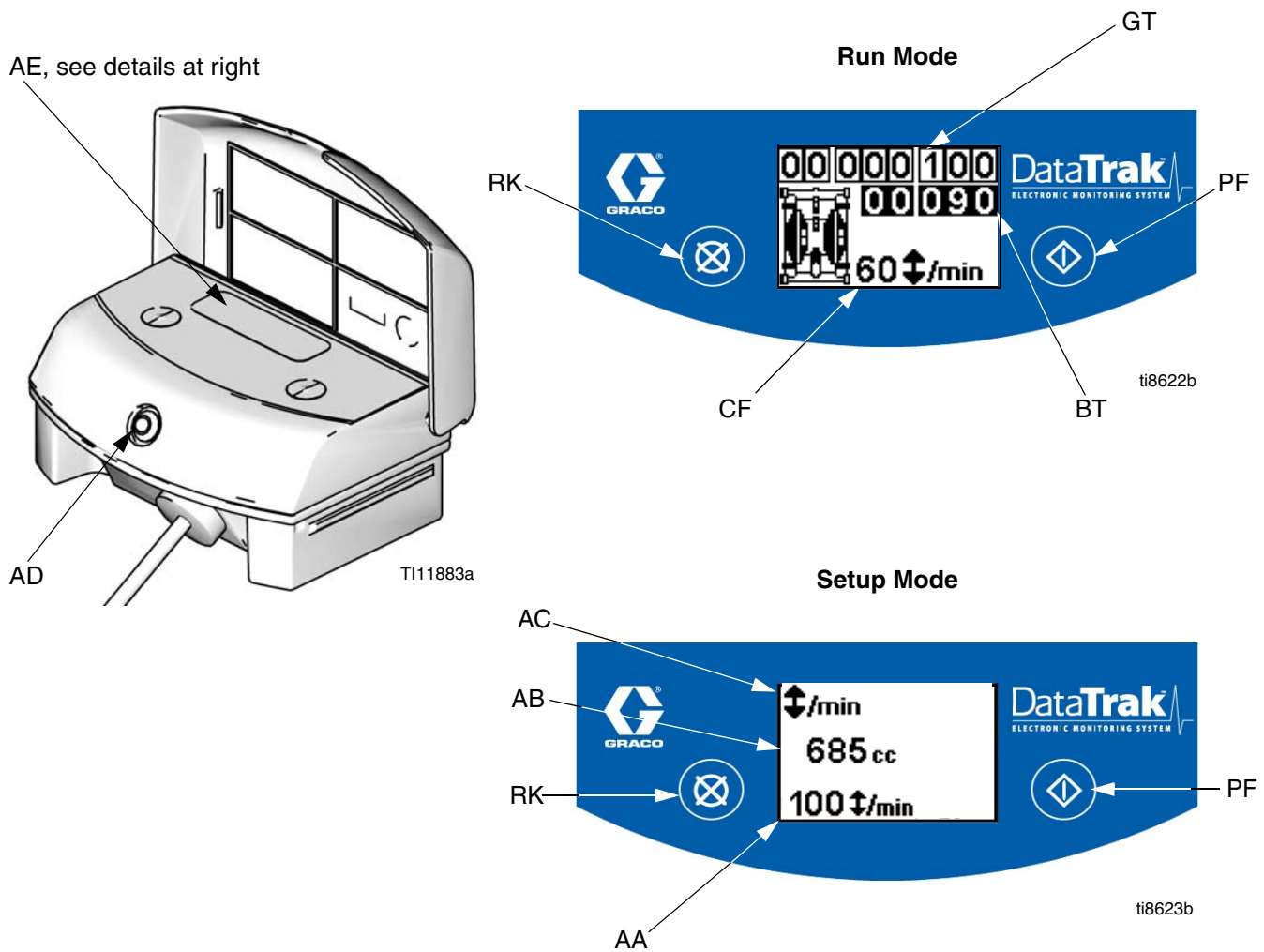





Fig. 1. DataTrak Controls and Indicators

DataTrak Operation

NOTE: The display (AE) will turn off after 1 minute to save battery life. Press any key to wake up the display.


NOTE: DataTrak is factory set to 685 cc/cycle. This setting is accurate for pumping water at a medium speed on a Husky 1050 pump (approximately 20 gpm). The DataTrak can be calibrated for use with a different Husky model, for greater accuracy, for different pump speeds, or for different viscosity fluids. See **Calibration Procedure**, page 9.

Setup Mode

1. See Fig. 1. Press and hold  for 5 seconds until Setup menu appears.
2. To enter settings for flow rate units and displacement, press  to change the value, then  to save the value and move the cursor to the next data field.
3. To enter setting for runaway (if equipped), enter pump speed in cycles/min. The exact setting will vary by pump speed and viscosity of fluid. Choose a setting that is just above the fastest speed expected during normal operation.

NOTE: Set the value to zero to disable runaway protection or if your pump is not equipped with a runaway protection solenoid.

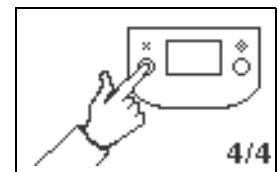
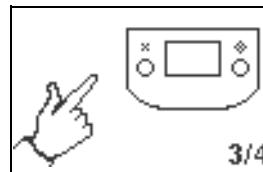
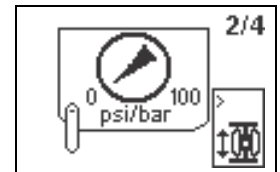
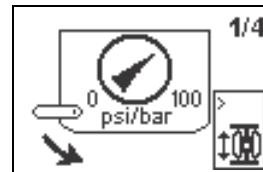
NOTE: A flashing LED indicates an error that must be addressed. The Runaway mode will not stop a runaway pump while the LED is flashing.


4. Move the cursor to the last field, then press  once more to exit Setup mode.

Run Mode

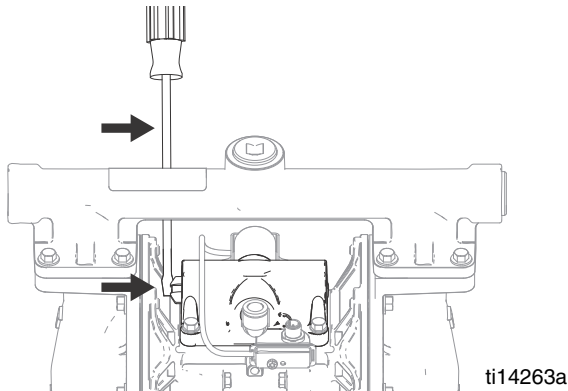
Runaway

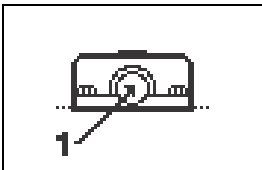
1. If pump runaway occurs, the runaway solenoid will actuate, stopping the pump. The LED (AD) will flash and the display (AE) will indicate a runaway condition. The display will cycle through four instruction screens.



2. To reset the runaway solenoid, close the master air valve. Wait for air to completely bleed off the air motor.
3. Press  to clear the diagnostic code and reset the runaway solenoid.
4. Open master air valve to restart pump.


NOTE: If the DataTrak does not reset, use a screwdriver to push the solenoid release button on the side of the air valve.



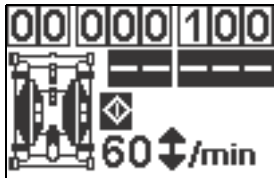
5. If the solenoid doesn't actuate:
 - a. Close the master air valve to stop the pump. The display will show the Service Component 1 screen.
 
 - b. See **Table 1, Diagnostic Codes**, on page 10.


NOTE: To disable runaway monitoring, go to setup mode and set runaway value to 0 (zero). See Fig. 1.

Prime/Flush


1. See Fig. 1. To enter Prime/Flush mode, press any key to wake up the display, then press . The Prime/Flush symbol will appear in the display and

the LED will flash




2. While in Prime/Flush mode, runaway protection is disabled and the batch totalizer (BT) will not count.
3. To exit Prime/Flush mode, press any key to wake up the display, then press . The Prime/Flush symbol will disappear from the display and the LED will stop flashing.

Counter/Totalizer

To reset the totalizer, press any key to wake up the display, then press and hold  for 3 seconds.

- If AC is set to gallons or ounces, BT and GT display gallons.
- If AC is set to liters or cc, BT and GT display liters.
- If AC is set to cycles, BT and GT display cycles.

NOTE: Press  to toggle between flow rate units and cycles. A letter under the BT display indicates that both BT and GT are displaying gallons (g) or liters (l). No letter means both BT and GT are displaying cycles.

Display


See Fig. 1. The display (AE) will turn off after 1 minute of inactivity in Run mode or 3 minutes in Setup mode. Press any key to wake up the display.

NOTE: DataTrak will continue to count cycles when display is off.




NOTE: The display (AE) may turn off if a high-level static discharge is applied to the DataTrak. Press any key to wake up the display.

Diagnostics

DataTrak can diagnose several problems with the pump. When the monitor detects a problem, the LED (AD, Fig. 1) will flash and a diagnostic code will appear on the display. See Table 1, page 10.

To acknowledge the diagnosis and return to the normal operating screen, press  once to wake up the display, and once more to clear the diagnostic code screen.

Calibration Procedure

1. Press and hold  for 5 seconds until Setup menu appears.
2. Press  once. Change flow rate units to cycles/min.
3. Return to Run Screen. Press and hold  for three seconds to reset batch totalizer.
4. Dispense fluid from pump into a graduated container.
5. Convert the actual volume dispensed to cubic centimeters (cc). See conversion chart.

Units Measured	Multiply by	To get
Gallons (U.S.)	3785	cc
Gallons (Imp)	4546	cc
Liters	1000	cc
Quarts	946	cc
Ounces (U.S.)	29.57	cc
Ounces (Imp)	28.41	cc
Cubic inches	16.39	cc
Cubic feet	28,317	cc
Pints	473	cc
cc	1	cc




6. Divide the actual volume dispensed (cc) by the number of cycles indicated on the DataTrak batch totalizer display.
7. Press  to enter the Setup screen. Enter the number from Step 6 in field 2 of the Setup screen.

Table 1: Diagnostic Codes

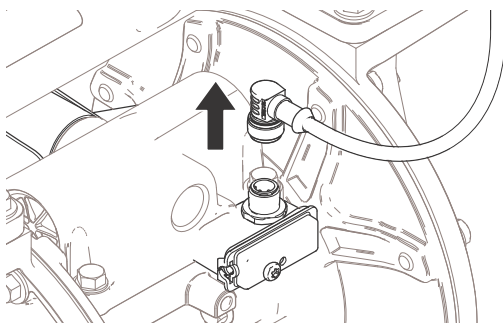
Symbol	Code	Code Name	Diagnosis	Cause
<p>1/4: Pressure gauge showing 0 psi/bar with a needle near 0. 2/4: Pressure gauge showing 100 psi/bar with a needle near 100. 3/4: Control panel with a hand pointing to a button. 4/4: Control panel with a hand pointing to a button.</p>		Runaway	Pump running faster than set runaway limit.	<p>Increased air pressure.</p> <p>Increased fluid output.</p> <p>Exhausted fluid supply.</p>
	E-3	Low Battery	Battery voltage too low to stop runaway.	Low battery. Replace battery; see page 11.
	E--4	Service Component 1	Problem with stopping runaway.	<p>Damaged solenoid.</p> <p>Damaged valve carriage.</p> <p>Runaway protection may be enabled with pump that is not equipped with a runaway solenoid valve. Enter setup screen and disable runaway protection.</p>
	E-4	Disconnected Solenoid	Solenoid is disconnected.	<p>Solenoid unplugged.</p> <p>Damaged solenoid wires.</p>
	E-6	Blown Fuse	Fuse is blown. Replace fuse; see page 11.	<p>Faulty solenoid or solenoid wiring.</p> <p>Extreme temperatures (above 140°F [60°C]).</p> <p>Runaway protection may be enabled with pump that is not equipped with a runaway solenoid valve. Enter setup screen and disable runaway protection.</p>

Replace DataTrak Battery or Fuse

					
<p>To reduce the risk of fire and explosion, the battery and fuse must be replaced in a non-hazardous location.</p> <p>Use only an approved replacement battery, shown in Table 2, and an approved fuse, shown in Table 3. Use of an unapproved battery or fuse will void Graco's warranty and Intertek and Ex approvals.</p>					

Replace Battery

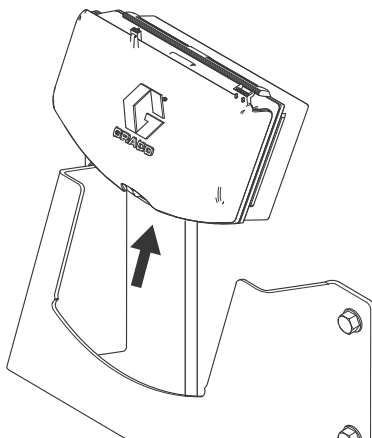
1. Unscrew cable from the reed switch assembly. See Fig. 2.



ti14054a

Fig. 2. Disconnect DataTrak

2. Remove DataTrak module from bracket. See Fig. 3. Take module to a non-hazardous location.



ti14053a

Fig. 3. Remove DataTrak

3. Remove two screws on back of module to access battery.
4. Disconnect the used battery and replace with an approved battery. See Fig. 4.

Table 2. Approved Batteries

Energizer alkaline # 522
Varta alkaline # 4922
Ultralife lithium # U9V
Duracell alkaline # MN1604

Replace Fuse

1. Remove the screw, metal strap, and plastic holder.
2. Pull the fuse away from the board.
3. Replace with a new fuse.

DataTrak Part Number	Series*	Fuse Required
289822	A or B	24C580
	C and later	24V216
All other part numbers	A	24C580
	B and later	24V216

* Fig. 4 shows where to find the Series letter.

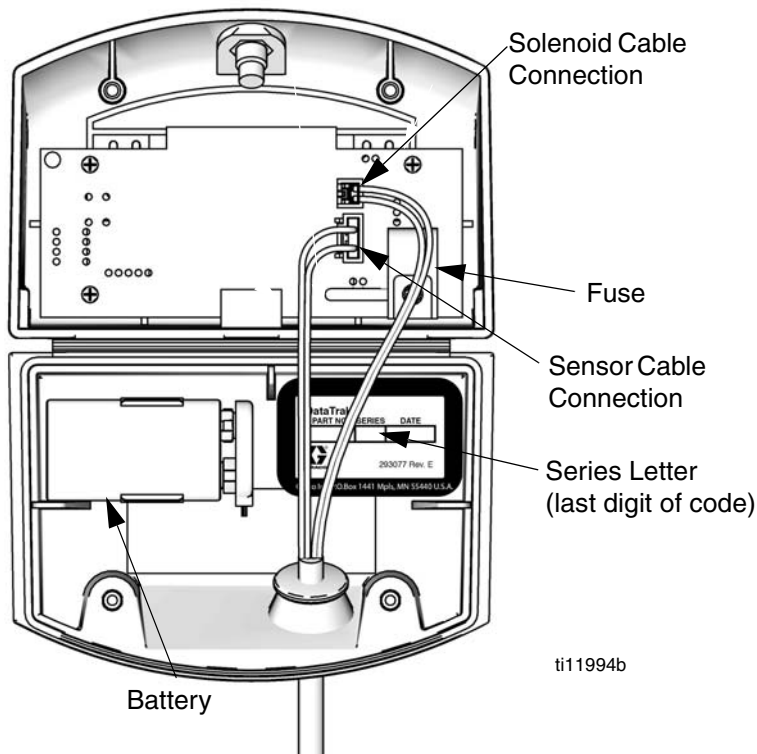


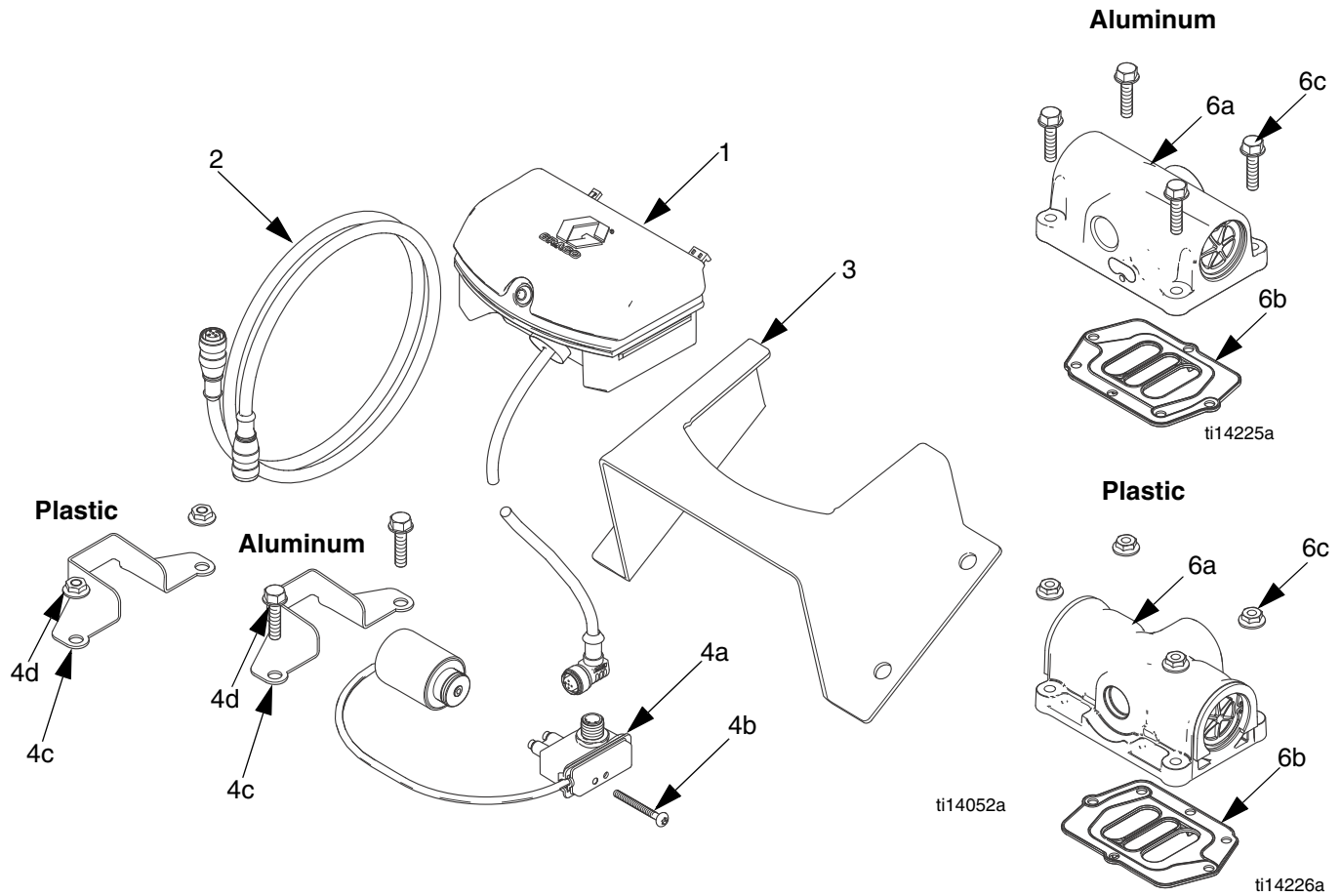
Fig. 4. DataTrak Battery and Fuse Location

Parts

Conversion Kits, Cycle Count and Runaway Protection

Husky 1050 - 24B777 (Aluminum), 24B784 (Polypropylene), and 24B793 (Conductive Polypropylene)

Husky 3300 - 24K861 (Aluminum) and 24K862 (Polypropylene)



Ref. No.	Part No.	Description	Qty
1	-----	DATATRAK module (see pages 11 and 12 for battery and fuse replacement information)	1
2	-----	CABLE	1
3	-----	BRACKET, wall	1
4		SOLENOID/REED SWITCH, kit (includes Parts 4a-4d)	1
	24B771	Husky 1050 plastic air valve	
	24B772	Husky 1050 aluminum air valve	
	24K863	Husky 3300 plastic air valve	
	24K864	Husky 3300 aluminum air valve	
4a	-----	REED SWITCH with SOLENOID	1
4b	-----	SCREW, reed switch 8-32 x 1.50 taptite, aluminum air valve 6-19 x 1-5/8 plastite, plastic air valve	1
4c	-----	BRACKET, solenoid	1
4d	-----	FASTENER, solenoid M6 x 25 screw, aluminum air valve M6 hex nut, plastic air valve	2

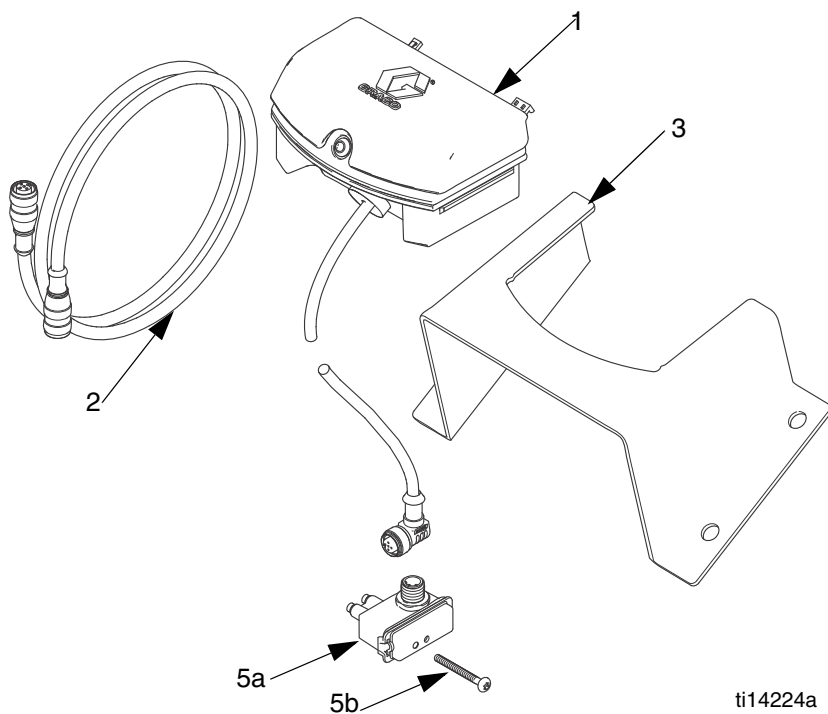
Ref. No.	Part No.	Description	Qty
6		AIR VALVE, kit (includes Parts 6a-6c)	1
	24B767	Husky 1050 Aluminum	
	24B774	Husky 1050 Polypropylene	
	24B776	Husky 1050 Conductive Polypropylene	
	24K856	Husky 3300 Aluminum	
	24K858	Husky 3300 Polypropylene	
6a	-----	VALVE, air, smart	1
6b	-----	GASKET, air valve	1
6c	-----	FASTENERS, air valve M6 x 25 screw, Aluminum air valve M6 hex nut, Plastic air valve	4
7▲	15V262	LABEL, warning (not shown)	1
8▲	16A098	CARD, reference, language (not shown)	1

▲ Replacement Warning labels, signs, tags, and cards are available at no cost.

----- Not sold separately.

Conversion Kits, Cycle Count Only

Husky 1050 and Husky 3300 - 24B794 (Aluminum) and 24B795 (Polypropylene and Conductive Polypropylene)



ti14224a

Ref. No.	Part No.	Description	Qty
1	-----	DATATRAK module (see pages 11 and 12 for battery and fuse replacement information)	1
2	-----	CABLE, CAN	1
3	-----	BRACKET, wall	1
5		REED SWITCH, kit (includes Parts 5a-5b)	1
	24B796	Plastic air valve	
	24B798	Aluminum air valve	
5a	-----	REED SWITCH	1
5b	-----	SCREW, reed switch 8-32 x 1.50 taptite, aluminum air valve 6-19 x 1-5/8 plastite, plastic air valve	1
6▲	15V262	LABEL, warning (not shown)	1
7▲	16A098	CARD, reference, language (not shown)	1

▲ Replacement Warning labels, signs, tags, and cards are available at no cost.

Replacement Kits

Solenoid/Reed Switch

Husky 1050	Husky 3300	Air Valve Material	Includes
24B771	24K863	Plastic	Reed switch and solenoid (4a), bracket (4c), and fasteners (4b, 4d)
24B772	24K864	Aluminum	

Reed Switch

Husky 1050 or Husky 3300	Air Valve Material	Includes
24B796	Plastic	Reed switch (5a) and fastener (5b)
24B798	Aluminum	

Graco Standard Warranty

Graco warrants all equipment referenced in this document which is manufactured by Graco and bearing its name to be free from defects in material and workmanship on the date of sale to the original purchaser for use. With the exception of any special, extended, or limited warranty published by Graco, Graco will, for a period of twelve months from the date of sale, repair or replace any part of the equipment determined by Graco to be defective. This warranty applies only when the equipment is installed, operated and maintained in accordance with Graco's written recommendations.

This warranty does not cover, and Graco shall not be liable for general wear and tear, or any malfunction, damage or wear caused by faulty installation, misapplication, abrasion, corrosion, inadequate or improper maintenance, negligence, accident, tampering, or substitution of non-Graco component parts. Nor shall Graco be liable for malfunction, damage or wear caused by the incompatibility of Graco equipment with structures, accessories, equipment or materials not supplied by Graco, or the improper design, manufacture, installation, operation or maintenance of structures, accessories, equipment or materials not supplied by Graco.

This warranty is conditioned upon the prepaid return of the equipment claimed to be defective to an authorized Graco distributor for verification of the claimed defect. If the claimed defect is verified, Graco will repair or replace free of charge any defective parts. The equipment will be returned to the original purchaser transportation prepaid. If inspection of the equipment does not disclose any defect in material or workmanship, repairs will be made at a reasonable charge, which charges may include the costs of parts, labor, and transportation.

THIS WARRANTY IS EXCLUSIVE, AND IS IN LIEU OF ANY OTHER WARRANTIES, EXPRESS OR IMPLIED, INCLUDING BUT NOT LIMITED TO WARRANTY OF MERCHANTABILITY OR WARRANTY OF FITNESS FOR A PARTICULAR PURPOSE.

Graco's sole obligation and buyer's sole remedy for any breach of warranty shall be as set forth above. The buyer agrees that no other remedy (including, but not limited to, incidental or consequential damages for lost profits, lost sales, injury to person or property, or any other incidental or consequential loss) shall be available. Any action for breach of warranty must be brought within two (2) years of the date of sale.

GRACO MAKES NO WARRANTY, AND DISCLAIMS ALL IMPLIED WARRANTIES OF MERCHANTABILITY AND FITNESS FOR A PARTICULAR PURPOSE, IN CONNECTION WITH ACCESSORIES, EQUIPMENT, MATERIALS OR COMPONENTS SOLD BUT NOT MANUFACTURED BY GRACO. These items sold, but not manufactured by Graco (such as electric motors, switches, hose, etc.), are subject to the warranty, if any, of their manufacturer. Graco will provide purchaser with reasonable assistance in making any claim for breach of these warranties.

In no event will Graco be liable for indirect, incidental, special or consequential damages resulting from Graco supplying equipment hereunder, or the furnishing, performance, or use of any products or other goods sold hereto, whether due to a breach of contract, breach of warranty, the negligence of Graco, or otherwise.

FOR GRACO CANADA CUSTOMERS

The Parties acknowledge that they have required that the present document, as well as all documents, notices and legal proceedings entered into, given or instituted pursuant hereto or relating directly or indirectly hereto, be drawn up in English. Les parties reconnaissent avoir convenu que la rédaction du présente document sera en Anglais, ainsi que tous documents, avis et procédures judiciaires exécutés, donnés ou intentés, à la suite de ou en rapport, directement ou indirectement, avec les procédures concernées.

Graco Information

For the latest information about Graco products, visit www.graco.com.

For patent information, see www.graco.com/patents.

TO PLACE AN ORDER, contact your Graco distributor or call to identify the nearest distributor.

Phone: 612-623-6921 **or Toll Free:** 1-800-328-0211 **Fax:** 612-378-3505

*All written and visual data contained in this document reflects the latest product information available at the time of publication.
Graco reserves the right to make changes at any time without notice.*

Original instructions. This manual contains English. MM 313840

Graco Headquarters: Minneapolis

International Offices: Belgium, China, Japan, Korea

GRACO INC. AND SUBSIDIARIES • P.O. BOX 1441 • MINNEAPOLIS MN 55440-1441 • USA

Copyright 2009, Graco Inc. All Graco manufacturing locations are registered to ISO 9001.

www.graco.com

Revision G, July 2014

Free Manuals Download Website

<http://myh66.com>

<http://usermanuals.us>

<http://www.somanuals.com>

<http://www.4manuals.cc>

<http://www.manual-lib.com>

<http://www.404manual.com>

<http://www.luxmanual.com>

<http://aubethermostatmanual.com>

Golf course search by state

<http://golfingnear.com>

Email search by domain

<http://emailbydomain.com>

Auto manuals search

<http://auto.somanuals.com>

TV manuals search

<http://tv.somanuals.com>