



This manual contains important warnings and information.
READ AND KEEP FOR REFERENCE.

INSTRUCTIONS

First choice when quality counts.™

ACETAL HUSKY™ 307, WALL-MOUNT PUMP, DRUM SUCTION

PRO™ / Delta Spray™ Packages

Metal fluid fittings and hose couplings are stainless steel.

100 psi (0.7 MPa, 7 bar) Maximum Fluid Working Pressure

100 psi (0.7 MPa, 7 bar) Maximum Air Inlet Pressure

Packages with Fluid Pressure Regulators

Model No. 240-349

with hoses and Delta Spray air spray gun

Model No. 240-350

with hoses and Delta Spray HVLP gun

Model No. 240-351

no hoses or gun

Model No. 240-352

with hoses and PRO 3500sc electrostatic gun

Model No. 240-353

with hoses and PRO 4500sc electrostatic gun

Packages with Surge Tanks

Model No. 240-361

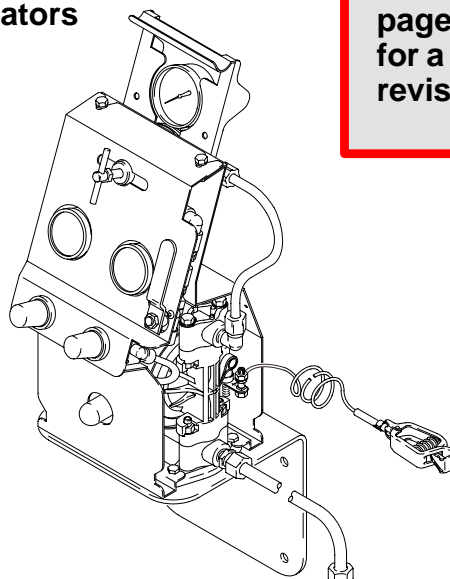
with hoses and Delta Spray air spray gun

Model No. 240-362

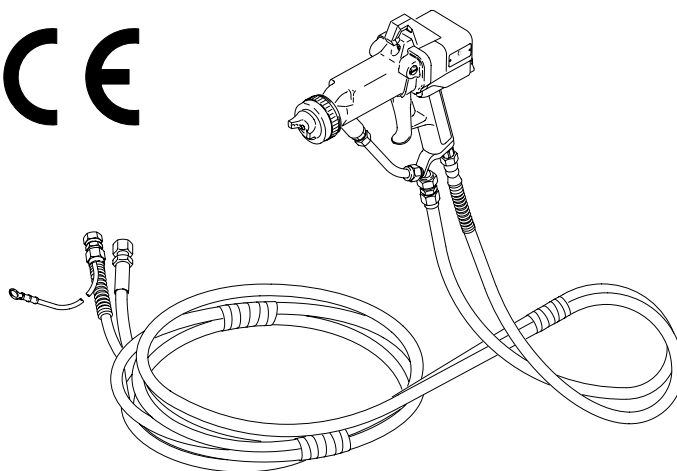
with hoses and Delta Spray HVLP gun

Model No. 240-363

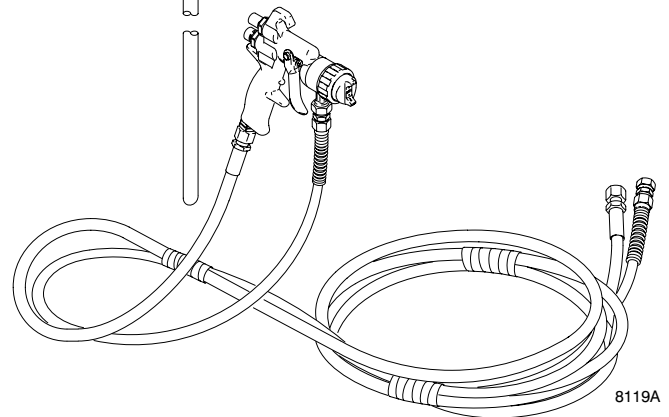
no hoses or gun



This manual contains changes not included throughout the contents. Please see the second page of this book (page 1A) for a description of the revisions and additions.



This gun and hose for PRO 3500sc Electrostatic package



This gun and hose for Delta Spray Air Spray package or Delta Spray HVLP package

8119A

GRACO INC. P.O. BOX 1441 MINNEAPOLIS, MN 55440-1441

Graco Inc. is registered to I.S. EN ISO 9001

Instruction Manual – Parts List Changes

This page contains a summary of changes or additions that do not appear in the contents of the manual.

Improve pressure control instructions (Graco Ref. 6557).

Change 30psi HVLP fluid regulator and gauge to a 60psi gauge and regulator. Obsolete suction tube (Graco Ref. 6557).

Table of Contents

Warnings	2
Setup	4
Operation	6
Maintenance	9
Parts List and Parts Drawing	
240-349 to 240-353	10
240-361 and 240-363	12
Fluid Filter Kit 240-440	14
Technical Data	15
Dimensions	15
Wall Mounting Hole Layout	15
Graco Standard Warranty	16
Graco Phone Number	16

Symbols

Warning Symbol



This symbol alerts you to the possibility of serious injury or death if you do not follow the instructions.

Caution Symbol



This symbol alerts you to the possibility of damage to or destruction of equipment if you do not follow the corresponding instructions.

! WARNING



PRESSURIZED FLUID HAZARD

Spray from the gun, hose leaks, or ruptured components can splash fluid in the eyes or on the skin and cause serious injury.

- Do not stop or deflect fluid leaks with your hand, glove, or rag.
- Follow the **Pressure Relief Procedure** on page 6 before cleaning, checking, or servicing the equipment.
- Tighten all fluid connections before each use.
- Check the hoses, tubes, and couplings daily. Replace parts immediately if worn, damaged, or loose. Permanently coupled hoses cannot be repaired.



FIRE AND EXPLOSION HAZARD

Improper grounding, poor air ventilation, open flames, or sparks can cause a hazardous condition and result in fire or explosion and serious injury.

- Ground the equipment, personnel in or close to the spray area, the object being sprayed, and all other electrically conductive objects in the spray area. See **Grounding** on page 5.
- If there is any static sparking while using the equipment, **stop spraying immediately**. Identify and correct the problem.
- Provide fresh air ventilation to avoid the buildup of flammable vapors from the solvent or the fluid being sprayed.
- Do not smoke in the spray area.
- Extinguish all open flames or pilot lights in the spray area.
- Do not turn on or off any light switch in the spray area.
- Electrically disconnect all equipment in the spray area.
- Keep the spray area free of debris, including solvent, rags, and gasoline.
- Do not operate a gasoline engine in the spray area.

WARNING



INSTRUCTIONS



EQUIPMENT MISUSE HAZARD

Equipment misuse can cause the equipment to rupture, malfunction, or start unexpectedly and result in a serious injury.

- This equipment is for professional use only.
- Read all the instruction manuals, tags, and labels before operating the equipment.
- Use the equipment only for its intended purpose. If you are uncertain about usage, call your Graco distributor.
- Do not alter or modify this equipment. Use only genuine Graco parts and accessories.
- Check the equipment daily. Repair or replace worn or damaged parts immediately.
- Do not exceed the maximum working pressure of the lowest rated system component. This package has a **100 psi (0.7 MPa, 7 bar) maximum working pressure**.
- Use fluids that are compatible with the equipment wetted parts. See the **Technical Data** section of all the equipment manuals. Read the fluid manufacturer's warnings.
- Route the hoses away from traffic areas, sharp edges, moving parts, and hot surfaces. Do not expose Graco hoses to temperatures above 180°F (82°C) or below -40°F (-40°C).
- Do not use the hoses to pull equipment.
- Do not move pressurized equipment.
- Wear hearing protection when operating this equipment.
- Comply with all applicable local, state, and national fire, electrical, and other safety regulations.



TOXIC FLUID HAZARD

Hazardous fluids or toxic fumes can cause a serious injury or death if splashed in the eyes or on the skin, swallowed, or inhaled.

- Know the specific hazards of the fluid you are using. Read the fluid manufacturer's warnings.
- Store hazardous fluid in an approved container. Dispose of the hazardous fluid according to all local, state, and national guidelines.
- Wear appropriate protective clothing, gloves, eyewear, and respirator.
- If the pump diaphragm fails, hazardous fluid may be exhausted along with the air.

Setup

CAUTION

This equipment is compatible with most water-based materials. See the wetted parts in the **Technical Data** section and your fluid and solvent manufacturer's compatibility information.

Do not use acid catalyzed materials; they are incompatible with the acetal used in this pump.

WARNING



TOXIC FLUID HAZARD

Hazardous fluid or toxic fumes can cause serious injury or death if splashed in the eyes or on the skin, inhaled, or swallowed.

- Read **TOXIC FLUID HAZARD** on page 3.
- Use fluids and solvents that are compatible with the equipment wetted parts. Refer to the **Technical Data** section of all equipment manuals. Read the fluid and solvent manufacturer's warnings.

General Information

- Always use Genuine Graco Parts and Accessories, available from your Graco distributor. See the Product Data Sheet for this package, Form No. 305-898. If you supply your own accessories, be sure they are adequately sized and pressure rated for your system.
- Reference numbers and letters in parentheses refer to the callouts in the figures and the parts lists on pages 10 and 12.

Preparing the Operator

Anybody who operates this system should be trained in the safe, efficient operation of all system components. At a minimum, all operators should thoroughly read the safety, setup, and operation sections of this manual.

Preparing the Site

- Use a compressor capable of delivering 40 cfm (1.12 m³) and a minimum of 80 psi (552 kPa, 5.4 bar) for efficient operation.
- Clear obstacles and debris that could cause an unsafe operating environment.
- Run a 1/2 in. I.D. air line from your compressed air supply to the pump location. Be sure the air is dry and filtered.
- When the bleed-type master air valve (K) is closed and the pump air regulator is opened, it relieves all air pressure to the system components.
- Ventilate the spray booth.

WARNING

To prevent hazardous concentrations of toxic and/or flammable vapors, spray only in a properly ventilated spray booth. Never operate the spray gun unless ventilation fans are operating.

Check and follow all of the national, state, and local codes regarding air exhaust velocity requirements.

Setup

Assembling the Wall-Mount Unit

See Fig. 1

Install the wall bracket (G) 5 ft (1.5 m) above the floor. For proper hole dimensions, use the **Wall Mounting Hole Layout** on page 15. Be sure the wall is strong enough to support the weight of the pump and hoses, any accessories, the fluid, and stress caused by pump operation.

Screw the bung plug (R) into the drum bung opening. Adjust the suction tube (L) so the end of the tube is about 1/2 in. (13 mm) off the bottom of the drum, and secure the suction tube using the thumbscrew on the bung plug.

Hose Connections

This package is shipped with the hoses connected. Before you disconnect any hoses, make a note of the proper connections.

Flush Pump Before First Use

The pump was tested in water. If the test solution could contaminate the fluid you are pumping, flush the pump thoroughly with a compatible solvent. See **Flushing the System** on page 8.

Grounding

WARNING

To reduce the risk of static sparking, the entire system must be grounded. Check your local electrical code for detailed grounding instructions for your area and type of equipment. Ground all of this equipment. Also read **FIRE AND EXPLOSION HAZARD** on page 2.

- *Pump:* One end of the ground wire is already connected to the pump grounding strip. Connect the clamp end of the ground wire to a true earth ground.
- *Air compressor:* Follow the manufacturer's recommendations.
- *Object being sprayed:* Follow the local code.
- *Fluid supply container:* Follow the local code.
- *All solvent pails used when flushing:* Follow the local code. Use only metal pails, which are conductive. Do not place the pail on a non-conductive surface, such as paper or cardboard, which interrupts the grounding continuity.
- *Systems with PRO 3500sc and PRO 4500sc electrostatic gun:* Make sure you read all of the grounding instructions and warnings in your gun instruction manual.

Operation

Using the Gun

See the gun instruction manual for gun operation, care, flushing, cleaning, and technical data. Read the entire gun manual before operating the sprayer.

Pressure Relief Procedure

See Fig. 1

WARNING

The system remains pressurized until pressure is manually relieved. To reduce the risk of serious injury from pressurized fluid, accidental spray from the gun, or splashing of any fluid, follow this procedure whenever you

- Stop spraying
- Are instructed to relieve pressure
- Check or service any system equipment
- Install, clean, or change spray nozzles

1. Turn off the air supply to the pump.
2. Be sure the pump air regulator is open by turning the knob (E) clockwise several turns.
3. Open the bleed-type master air valve (K) to relieve pump air pressure.
4. Trigger the gun (B) to relieve fluid pressure in the hoses.

Adjusting Pump and Gun Air Regulators

See Fig. 1

NOTE: The pump air regulator knob (E) and gun air regulator knob (F) have a locking feature. To unlock the knobs, pull out on them. You will feel them click out. To lock them at the desired setting, push them back into the locked position.

Always adjust the pump air regulator (E) and gun air regulator (F) slowly to prevent surging during startup. Turn the knobs clockwise to increase pressure, and counterclockwise to decrease air pressure.

1. Slowly adjust the pump air regulator (E), to set air pressure to approximately 60 psi (413 kPa, 4 bar).
2. If your system has a fluid pressure regulator, turn the fluid pressure regulator handle (G) to adjust the fluid pressure to 40 to 60 psi (276 to 413 kPa, 2.8 to 4 bar).

3. Slowly open the gun air regulator (F), and pull the gun trigger just enough to open **only the air valve** in the gun. With the gun air triggered, set the gun air pressure to 60 psi (413 kPa, 4 bar).

NOTE: Gun air pressure higher than 60 psi (413 kPa, 4 bar) will cause excessive overspray and lowered efficiency.

4. If your system has a fluid pressure regulator (G), fully trigger the gun, and fine tune the fluid pressure to obtain the desired atomization.

Systems with Fluid Pressure Regulator

See Fig. 1

With the fluid pressure regulator (G), you can control fluid pressure from the pump to the gun. For an accurate setting, adjust the fluid regulator only when the gun is triggered and fluid is flowing through the regulator. Be sure the jam nut under the T-handle (G) does not interfere with your adjustments. Tighten the jam nut to lock in the setting, if desired.

1. To open the fluid regulator, which allows fluid to flow, turn the T-hand clockwise.
2. To close the fluid regulator, which restricts or shuts off the fluid flow, turn the T-handle counterclockwise.

Systems with Surge Tank

See *Parts Drawing* on page 13

In systems with a surge tank (30), the fluid pressure is the same as the air pressure applied to the pump (pump has 1:1 ratio of fluid to air). Adjust the fluid pressure as required with the pump air regulator (E).

The surge tank filter screen may require periodic cleaning. First, **relieve the pressure**. Unscrew the surge tank cover from its base, and remove the filter screen. Clean the screen with a compatible solvent, and reinstall it in the surge tank. Make sure you reinstall the cover with a firm hand torque to ensure a good seal.

WARNING

To reduce the risk of serious injury whenever you are instructed to relieve pressure, always follow the **Pressure Relief Procedure** on page 6.

NOTE: The pump requires approximately 15 to 20 psi (103 to 138 kPa, 1 to 1.4 bar) to function. This is the lowest fluid pressure available. If lower fluid flow is required, a smaller fluid tip may be required on the spray device.

Operation

Priming the System *See Fig. 1*

1. Close the gun air regulator (F).
2. If your system has a fluid pressure regulator (G), close it.
3. Open the bleed-type master air valve (K).
4. Slowly set the pump air regulator (E) pressure to 20 to 30 psi (140 to 210 kPa, 1.4 to 2.1 bar). The pump cycles quickly, then it slows down when it is primed. Set the pump air pressure to 40 psi (280 kPa, 2.8 bar).
5. Slowly open the gun air regulator (F), and pull the gun trigger just enough to open **only the air valve** in the gun. With the gun air triggered, set the gun air pressure to 60 psi (413 kPa, 4 bar).
6. Hold the gun against and aimed into a grounded metal waste pail, and fully trigger the gun. If your system has a fluid pressure regulator (G), slowly open it.
The gun emits air until the fluid arrives. When fluid flows freely, release the gun trigger.

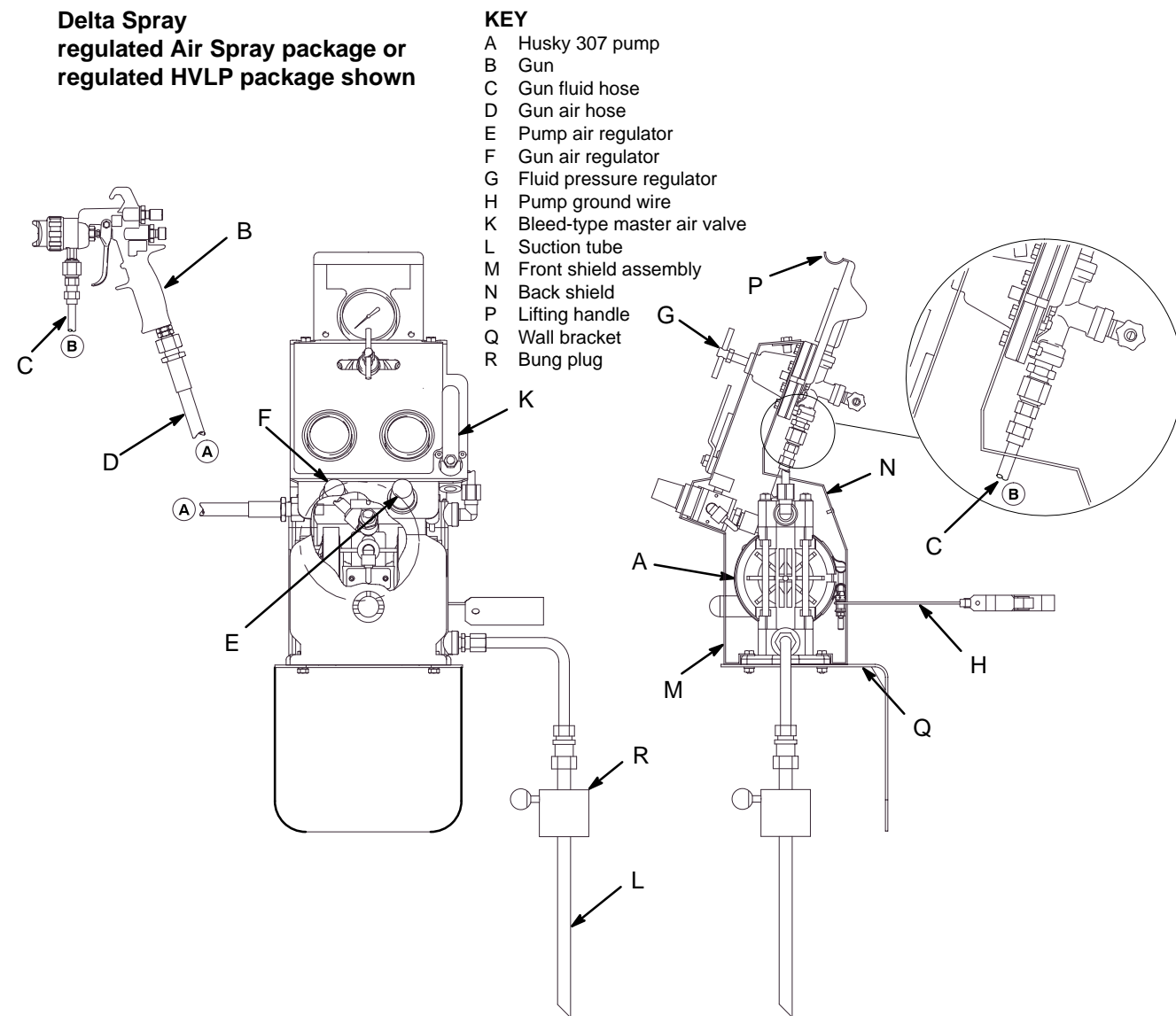


Fig. 1

8120A

Operation

When to Shut Down the System

Shut down the system at the end of the work shift and before checking, adjusting, cleaning, or repairing the system. Always **relieve the pressure**.

WARNING

To reduce the risk of serious injury whenever you are instructed to relieve pressure, always follow the **Pressure Relief Procedure** on page 6.

Flushing the System

Flush the system at the following times:

- Before the first-time use
- When changing colors
- Before fluid can dry or settle out in a dormant system.
- Before storing the system

Flush the system as follows (See Fig. 1):

1. **Relieve the pressure.**

WARNING

To reduce the risk of serious injury whenever you are instructed to relieve pressure, always follow the **Pressure Relief Procedure** on page 6.

2. Remove the gun air cap before flushing, and clean it separately.
3. Place the suction tube into a grounded metal pail of compatible solvent.

4. Make sure the air regulators (E and F) are closed.

NOTE: The gun air regulator (F) always stays closed during flushing.

5. Open the bleed-type master air valve (K).
6. Slowly open the pump air regulator (E) until the pump starts.
7. Hold the gun against a grounded metal waste pail, and fully trigger the gun. If your system has a fluid pressure regulator (G), slowly open it until the fluid flows smoothly.
8. When solvent appears, release the gun trigger.
9. For a first-time flush: trigger the gun and flush with solvent for 30 seconds.

For flushing after spraying fluid: trigger the gun and flush with solvent until the system is thoroughly cleaned.

10. Repeat the procedure with clean solvent, if needed.
11. Lift the fluid intake tube from the fluid supply, and trigger the gun and run the pump until air comes from the gun.
12. **Relieve the pressure.**

The system is now ready to be stored or primed with another fluid. See **Priming the System** on page 7.

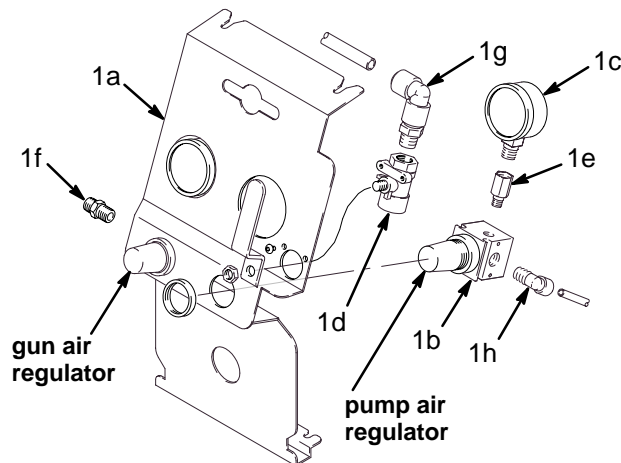
Maintenance

See the separate component instruction manuals for individual component maintenance procedures.

Access to some system components requires that you remove the shields. The following steps are for shield removal. Shield replacement is the reverse of these steps, so make sure you take notes on the proper hose connections. Depending on your system, see the **Parts Drawings** on pages 11 and 13 for number call-outs.

Front Shield Assembly (1)

1. Disconnect the pump air hose from the pump air regulator.
2. Disconnect the gun air hose from the gun air regulator.
3. Loosen, but do not remove, the two front pump foot screws (24).
4. Loosen, but do not remove, the two top shield screws (32).
5. If your system has a fluid pressure regulator (50), make sure the T-handle is horizontal.
6. Pull the front shield assembly free of the system.



Front Shield Assembly Orderable Parts

Ref. No.	Part No.	Description	Qty.
1a	192-995	SHIELD, front	1
1b	111-804	REGULATOR, air <i>See instruction manual 308-167</i>	2
1c	160-430	GAUGE, pressure	2
1d	114-362	VALVE, ball	1
1e	159-840	ADAPTER	2
1f	188-077	NIPPLE	1
1g	114-369	FITTING, tube	1
1h	114-370	FITTING, tube	1

Back Shield (25)

1. Disconnect the gun fluid hose from the fluid pressure regulator nipple (28) or surge tank nipple (7).
2. Disconnect the hose (16) that runs from the fluid pressure regulator or surge tank (50) to the elbow (40) on the pump outlet.
3. Loosen, but do not remove, the two top shield screws (32).
4. Loosen, but do not remove, the two back pump foot screws (24).
5. Pull the back shield free of the system. The fluid pressure regulator or surge tank (50) stays mounted to the back shield.

Gauge Lense Covers

Clear, stick-on/peel-off lense covers are available for the gauges. These covers protect the gauge lenses from spray. When they get too dirty to read the gauges, they can be peeled off, discarded, and replaced. Order as follows:

- 240-441** for 2.5-inch gauges; package of 25 sheets, 12 lense covers to a sheet
- 240-442** for 2-inch gauges; package of 25 sheets, 12 lense covers to a sheet

Fig. 2

8263A

Parts List

Wall-Mount Packages with Fluid Pressure Regulators

Model No. 240–349, Delta Spray air spray package

Model No. 240–350, Delta Spray HVLP package

Model No. 240–351, no hoses (31) or gun (30)

Model No. 240–352, PRO 3500sc electrostatic package

Model No. 240–353, PRO 4500sc electrostatic package

Ref. No.	Part No.	Description	Qty.	Ref. No.	Part No.	Description	Qty.	
1	240–210	SHIELD ASSY, front <i>Contains 1a to 1h, shown in Fig. 2 on page 9</i>	1	30	239–542	GUN, Delta Spray, air spray <i>Model 240–349</i> <i>See instruction manual 308–742</i>	1	
2	110–789	WASHER, flat	2		239–561	GUN, Delta Spray, HVLP <i>Model 240–350</i> <i>See instruction manual 308–741</i>	1	
3	100–014	SCREW	2		222–300	GUN, PRO 3500sc, electrostatic <i>Model 240–352</i> <i>See instruction manual 307–912</i>	1	
5	104–123	WASHER, spring lock	4		224–200	GUN, PRO 4500sc, electrostatic <i>Model 240–353</i> <i>See instruction manual 308–131</i>	1	
6	102–025	NUT, hex	4		31	240–421	HOSE ASSY, air spray/HVLP; 25 ft (7.6 m) <i>Delta packages</i>	1
7	192–994	HANDLE, shield	1			240–425	HOSE ASSY, PRO gun; 25 ft (7.6 m) <i>PRO packages</i>	1
8	D31–331	PUMP, Husky 307 <i>See instruction manual 308–553</i>	1	32	100–333	SCREW, cap, hex head	2	
9	054–139	TUBE, flexible	75 in.	33	114–369	FITTING, tube, quick-connect	1	
10	111–864	CONNECTOR, male	1	34	193–251	LABEL, product <i>Delta packages</i>	1	
11	188–181	PLUG, bung, airtight	1		193–252	LABEL, product <i>PRO packages</i>	1	
12	111–276	SCREW, thumb	1	37	238–909	GROUND WIRE & CLAMP ASSY	1	
13	111–863	CONNECTION, union	1	38	188–171	TUBE, suction	1	
15	054–175	HOSE; Nylon	10 in.	39	113–521	ELBOW, street	1	
16	054–188	TUBE, PTFE	9 in.	40	114–456	ELBOW, street	1	
17	188–285	BRACKET, wall	1	50	236–449	REGULATOR, fluid pressure; 0–30 psi (0–207 kPa, 0–2 bar) <i>Model 240–350</i> <i>See instruction manual 308–325</i>	1	
19	112–899	WASHER, lock	1		236–450	REGULATOR, fluid pressure; 0–100 psi (0–0.6 MPa, 0–7 bar) <i>All Models except 240–350</i> <i>See instruction manual 308–325</i>	1	
20	112–903	NUT, hex	1					
21	114–370	FITTING, tube, quick-connect	1					
24	104–119	SCREW, cap, hex head	4					
25	192–996	SHIELD, back	1					
26	104–029	LUG, grounding	1					
27	054–139	TUBE; Nylon	11.5 in.					
28	189–436	NIPPLE	1					
29▲	189–220	LABEL, warning	1					

▲ Extra Warning labels are available for free.

Parts Drawing

Wall-Mount Packages with Fluid Pressure Regulators

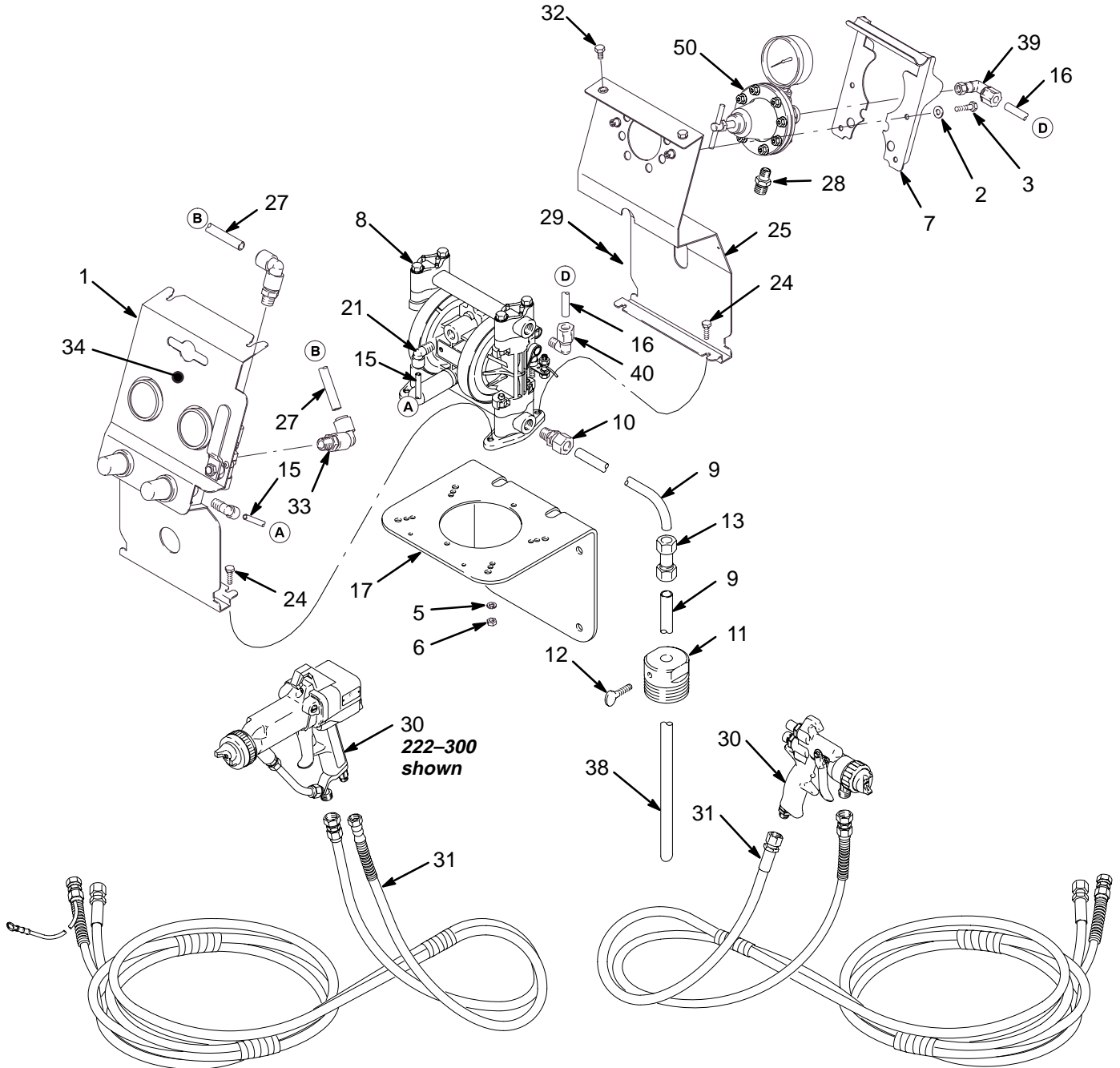
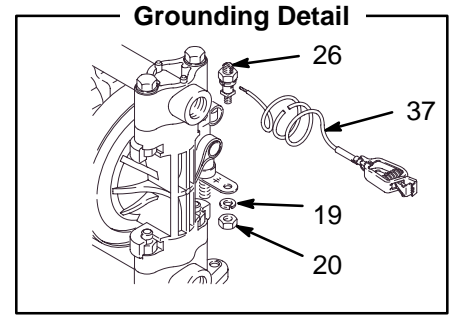
Model No. 240-349, Delta Spray air spray package

Model No. 240-350, Delta Spray HVLP package

Model No. 240-351, no hoses (31) or gun (30)

Model No. 240-352, PRO 3500sc electrostatic package

Model No. 240-353, PRO 4500sc electrostatic package



8088A

Parts List

Wall-Mount Packages with Surge Tanks

Model No. 240-361, Delta Spray air spray package

Model No. 240-362, Delta Spray HVLP package

Model No. 240-363, no hoses (31) or gun (30)

Ref. No.	Part No.	Description	Qty.	Ref. No.	Part No.	Description	Qty.
1	240-210	SHIELD ASSY, front <i>Contains 1a to 1h, shown in Fig. 2 on page 9</i>	1	25	192-996	SHIELD, back	1
3	106-285	BOLT, "U"	2	26	104-029	LUG, grounding	1
5	104-123	WASHER, spring lock	4	27	054-139	TUBE; Nylon	11.5 in.
6	102-025	NUT, hex	4	29▲	189-220	LABEL, warning	1
7	188-089	NIPPLE	1	30	239-542	GUN, Delta Spray, air spray <i>Model 240-361</i>	1
8	D31-331	PUMP, Husky 307 <i>See instruction manual 308-553</i>	1		239-561	GUN, Delta Spray, HVLP <i>Model 240-362</i>	1
9	054-139	TUBE, flexible	75 in.			<i>See instruction manual 308-741</i>	1
10	111-864	CONNECTOR, male	1	31	240-421	HOSE ASSY, air spray/HVLP; 25 ft (7.6 m)	1
11	188-181	PLUG, bung, airtight	1	32	100-333	SCREW, cap, hex head	2
12	111-276	SCREW, thumb	1	33	114-369	FITTING, tube, quick-connect	1
13	111-863	CONNECTION, union	1	34	193-253	LABEL, product	1
15	054-175	HOSE; Nylon	10 in.	37	238-909	GROUND WIRE & CLAMP ASSY	1
16	054-188	TUBE, PTFE	9 in.	38	188-171	TUBE, suction	1
17	188-285	BRACKET, wall	1	40	114-456	ELBOW, street	2
19	112-899	WASHER, lock	1	50	111-911	STRAINER, line	1
20	112-903	NUT, hex	1				
21	114-370	FITTING, tube, quick-connect	1				
24	104-119	SCREW, cap, hex head	4				

* These parts cannot be ordered separately.

▲ Extra Warning labels are available for free.

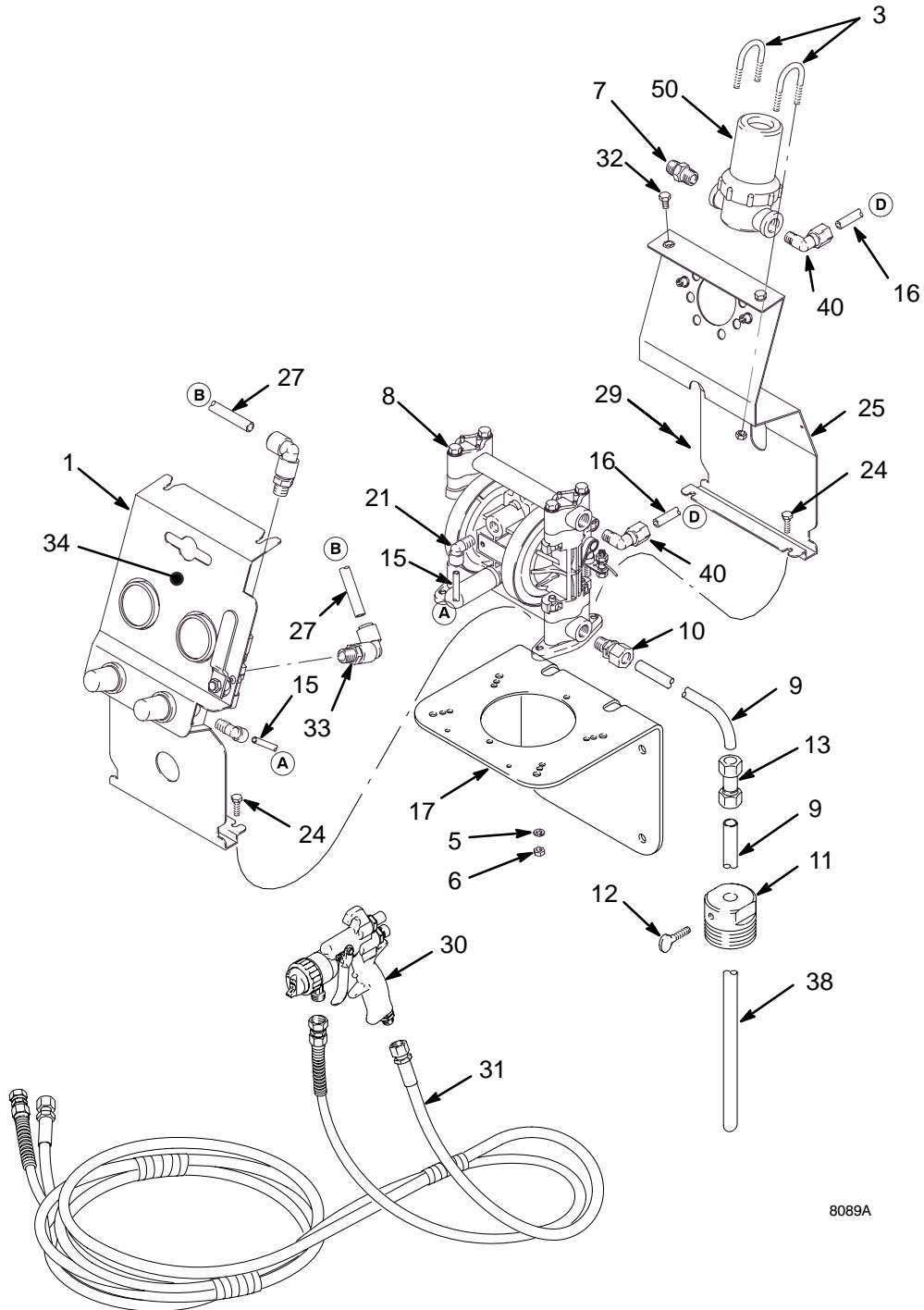
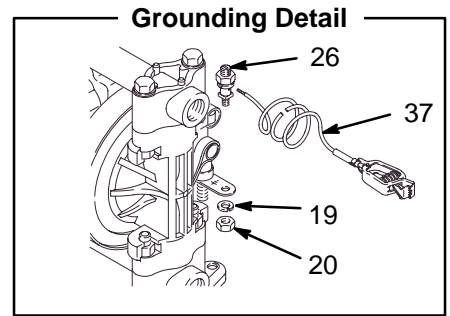
Parts Drawing

Wall-Mount Packages with Surge Tanks

Model No. 240-361, Delta Spray air spray package

Model No. 240-362, Delta Spray HVLP package

Model No. 240-363, no hoses (31) or gun (30)



8089A

Accessory Fluid Filter Kit

Fluid Filter Kit 240–440

Ref. No.	Part No.	Description	Qty.
101	114–361	FILTER, fluid	1
102	113–322	CONNECTOR, male	1
103	054–188	TUBE; PTFE; 3/8" O.D.	8 in.
104	113–534	ELBOW, male x female	2
105	111–917	NIPPLE; Nylon	1

† To avoid sharp bends in the tube, you may have to cut it to a shorter length.

‡ Apply Graco Thread Sealer, or Loctite® 567, or equivalent to male threads.

▲ For initial installation, make sure the dome is firmly hand tightened onto the filter body. **Do not use a tool.** During subsequent service, hand tighten more firmly to prevent drips.

The Fluid Filter Kit, listed above, can be installed to filter fluid drawn by the suction tube after it comes out of the pump. Install the Fluid Filter Kit as follows (see Fig. 3):

1. Apply thread sealant (specified in Fig. 3) to all male threads in this kit.
2. Remove the elbow (40) from the pump outlet, and remove the tube (16). See the **Parts** drawing on page 11.
3. Thread one the elbows (104) into the pump outlet.
4. Assemble the nipple (105) and the other elbow (104)
5. Thread the nipple (105), with the elbow (104) attached to it, into the elbow (104) that you threaded into the pump outlet.
6. Thread the fluid filter (101) onto the male threads of the elbow (104).
7. Thread the male connector (102) into the fluid filter (101).
8. Turn the fluid filter/male connector assembly towards the elbow (39). This makes connecting the tube (103) in step 9 easier.
9. Cut the PTFE tube (103) to the proper length, and install it to run from the male connector (102) to the elbow (39).

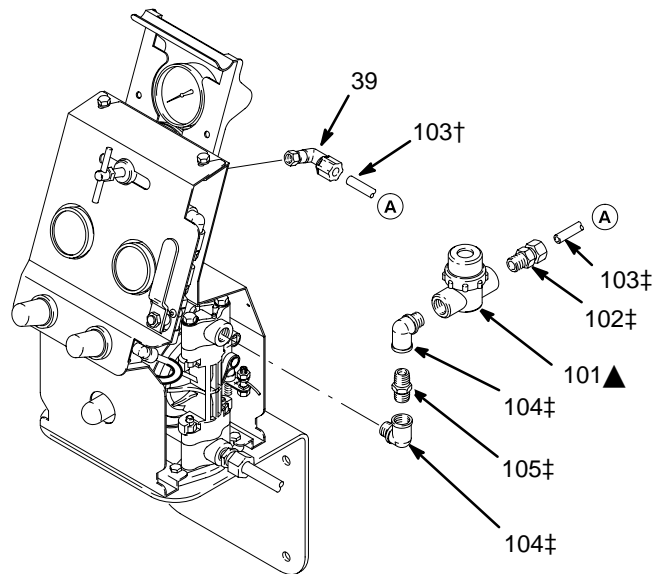


Fig. 3

8157A

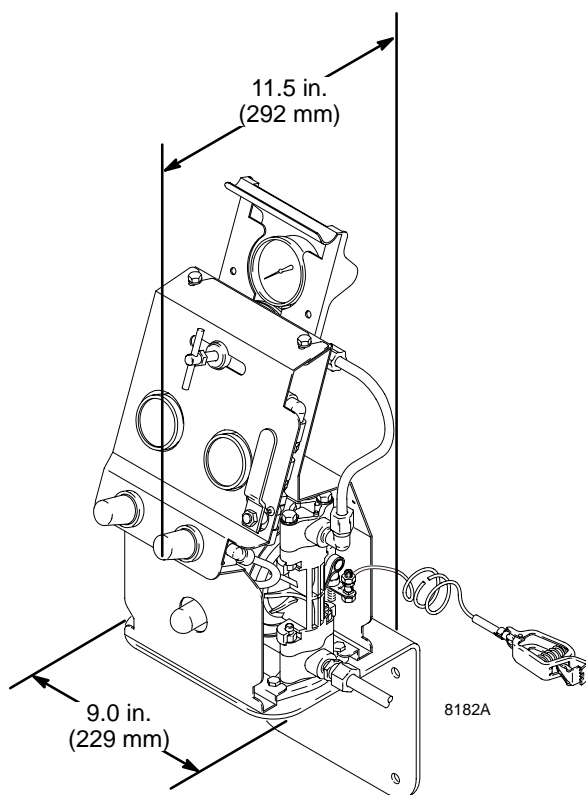
Technical Data

Category	Data
Maximum fluid working pressure	100 psi (0.7 MPa, 7 bar)
Maximum incoming air pressure	100 psi (0.7 MPa, 7 bar)
Maximum operating temperature	120° F (49° C)
Gun	See separate gun instruction manual.
Pump	See separate pump instruction manual.
Fluid pressure regulator	See separate fluid pressure regulator instruction manual.
Air pressure regulators	See separate air pressure regulator instruction manual.
Wetted parts: fluid hoses for Delta guns	nylon, stainless steel
Wetted parts: fluid hoses for PRO guns	nylon, nickel-chrome plate
Wetted parts: other fluid hoses and tubing	nylon, PTFE
Wetted parts: fluid fittings	nylon, acetal, 304/316 stainless steel
Weight (without hoses or gun): packages with fluid pressure regulator packages with surge tank	Approx. 29 lb (13 kg) Approx. 27 (12 kg)
Sound data: Sound power level* at 70 psi 0.48 MPa, 4.8 bar) and 115 cpm Sound pressure level at 70 psi 0.48 MPa, 4.8 bar) and 115 cpm	68 dB(A) 81.5 dB(A)

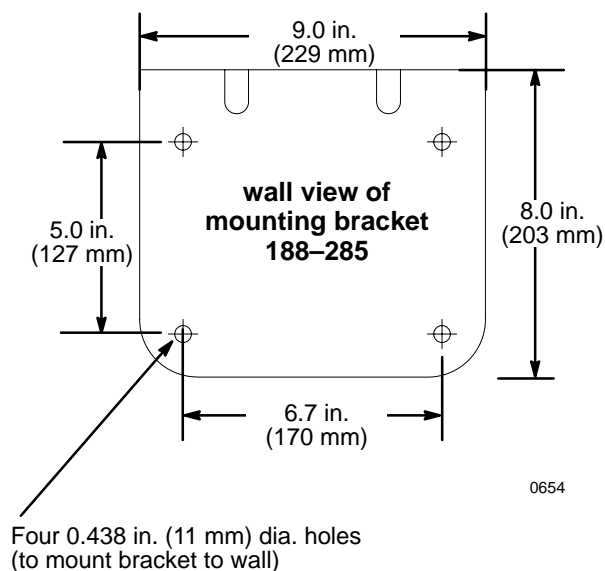
* Sound power level was measured per ISO Standard 3744.

PTFE ® is a registered trademark

Dimensions



Wall Mounting Hole Layout



Graco Standard Warranty

Graco warrants all equipment manufactured by Graco and bearing its name to be free from defects in material and workmanship on the date of sale by an authorized Graco distributor to the original purchaser for use. With the exception of any special, extended, or limited warranty published by Graco, Graco will, for a period of twelve months from the date of sale, repair or replace any part of the equipment determined by Graco to be defective. This warranty applies only when the equipment is installed, operated and maintained in accordance with Graco's written recommendations.

This warranty does not cover, and Graco shall not be liable for general wear and tear, or any malfunction, damage or wear caused by faulty installation, misapplication, abrasion, corrosion, inadequate or improper maintenance, negligence, accident, tampering, or substitution of non-Graco component parts. Nor shall Graco be liable for malfunction, damage or wear caused by the incompatibility of Graco equipment with structures, accessories, equipment or materials not supplied by Graco, or the improper design, manufacture, installation, operation or maintenance of structures, accessories, equipment or materials not supplied by Graco.

This warranty is conditioned upon the prepaid return of the equipment claimed to be defective to an authorized Graco distributor for verification of the claimed defect. If the claimed defect is verified, Graco will repair or replace free of charge any defective parts. The equipment will be returned to the original purchaser transportation prepaid. If inspection of the equipment does not disclose any defect in material or workmanship, repairs will be made at a reasonable charge, which charges may include the costs of parts, labor, and transportation.

THIS WARRANTY IS EXCLUSIVE, AND IS IN LIEU OF ANY OTHER WARRANTIES, EXPRESS OR IMPLIED, INCLUDING BUT NOT LIMITED TO WARRANTY OF MERCHANTABILITY OR WARRANTY OF FITNESS FOR A PARTICULAR PURPOSE.

Graco's sole obligation and buyer's sole remedy for any breach of warranty shall be as set forth above. The buyer agrees that no other remedy (including, but not limited to, incidental or consequential damages for lost profits, lost sales, injury to person or property, or any other incidental or consequential loss) shall be available. Any action for breach of warranty must be brought within two (2) years of the date of sale.

Graco makes no warranty, and disclaims all implied warranties of merchantability and fitness for a particular purpose in connection with accessories, equipment, materials or components sold but not manufactured by Graco. These items sold, but not manufactured by Graco (such as electric motors, switches, hose, etc.), are subject to the warranty, if any, of their manufacturer. Graco will provide purchaser with reasonable assistance in making any claim for breach of these warranties.

In no event will Graco be liable for indirect, incidental, special or consequential damages resulting from Graco supplying equipment hereunder, or the furnishing, performance, or use of any products or other goods sold hereto, whether due to a breach of contract, breach of warranty, the negligence of Graco, or otherwise.

FOR GRACO CANADA CUSTOMERS

The parties acknowledge that they have required that the present document, as well as all documents, notices and legal proceedings entered into, given or instituted pursuant hereto or relating directly or indirectly hereto, be drawn up in English. Les parties reconnaissent avoir convenu que la rédaction du présent document sera en Anglais, ainsi que tous documents, avis et procédures judiciaires exécutés, donnés ou intentés à la suite de ou en rapport, directement ou indirectement, avec les procédures concernées.

Graco Phone Number

TO PLACE AN ORDER, contact your Graco distributor, or call this number to identify the distributor closest to you:
1-800-367-4023 Toll Free

*All written and visual data contained in this document reflects the latest product information available at the time of publication.
Graco reserves the right to make changes at any time without notice.*

Sales Offices: Minneapolis, Detroit
Foreign Offices: Belgium, Korea, Hong Kong, Japan

GRACO INC. P.O. BOX 1441 MINNEAPOLIS, MN 55440-1441
<http://www.graco.com>

©1998 Graco Inc. 308845 Rev. C January 2000 PRINTED IN U.S.A.

Free Manuals Download Website

<http://myh66.com>

<http://usermanuals.us>

<http://www.somanuals.com>

<http://www.4manuals.cc>

<http://www.manual-lib.com>

<http://www.404manual.com>

<http://www.luxmanual.com>

<http://aubethermostatmanual.com>

Golf course search by state

<http://golfingnear.com>

Email search by domain

<http://emailbydomain.com>

Auto manuals search

<http://auto.somanuals.com>

TV manuals search

<http://tv.somanuals.com>