



Greenway®



Elegant Fireplace Mantel *with integrated sound system*
Manteau de cheminée élégant *avec système sonore intégré*
Elegante repisa de chimenea *con sistema de sonido integrado*

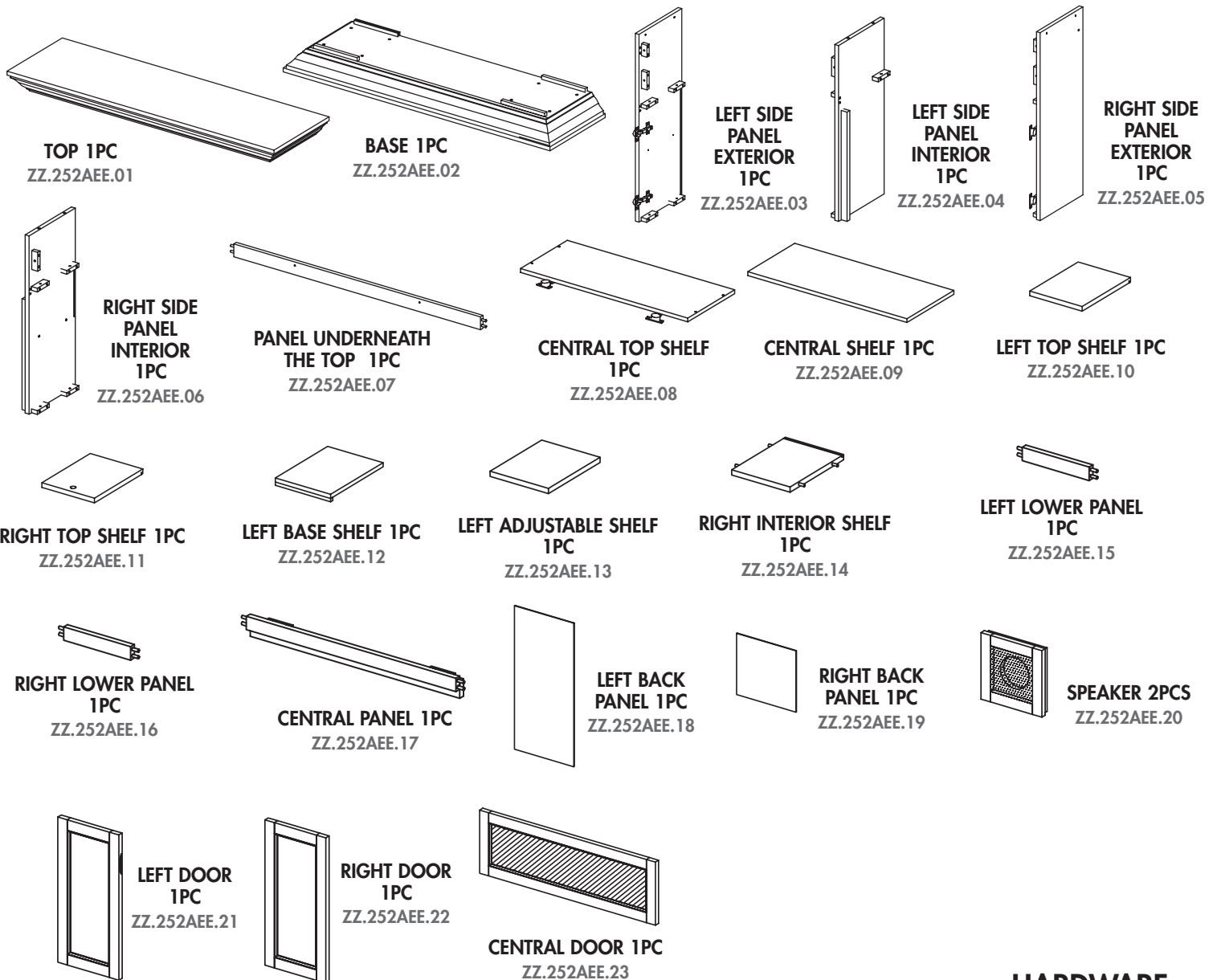
Assembly Instructions
Instructions d'assemblage
Instrucciones de montaje

GEF252AEE

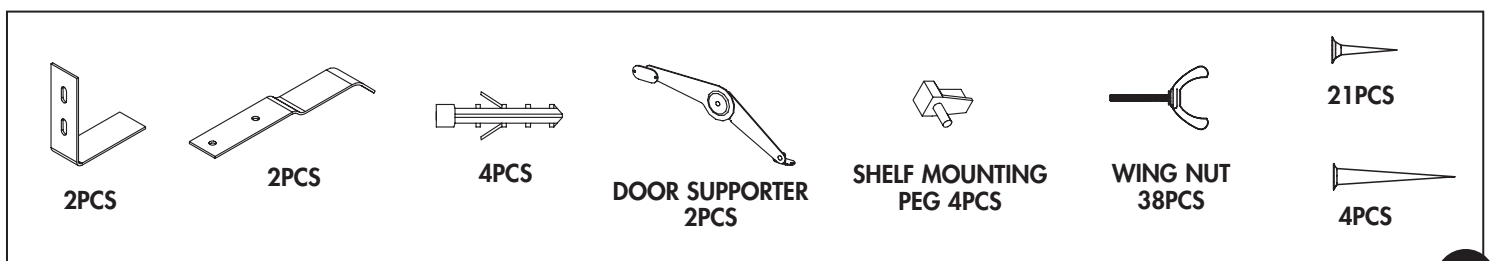


TIPS FOR THE ASSEMBLY OF YOUR NEW MANTEL

- Before you begin assembly, locate the instructions and hardware. Take out all the parts and compare them to the diagrams below. Be sure you have all the parts and can identify them.
- A helping hand is always good. Assemble your mantel with an adult assistant if possible. Some pieces are heavy and will need to be held by a helper. Assembly time will take approximately 30-60 minutes.



HARDWARE

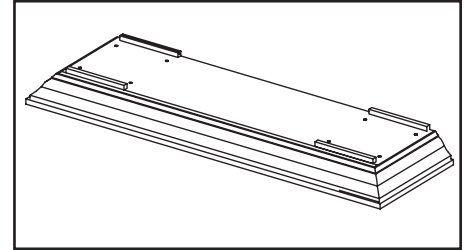


GET READY TO START

Before assembly, use scissors to unwrap the parts from the packaging. DO NOT use a box cutter or exacto-knife as you may cut into the mantel pieces inside the box and damage the finish. Check for the hardware bag which is RED and located inside the packaging, taped to the top box. Be sure you DO NOT discard any pieces. Use an appropriate screwdriver to insert and tighten all screws.

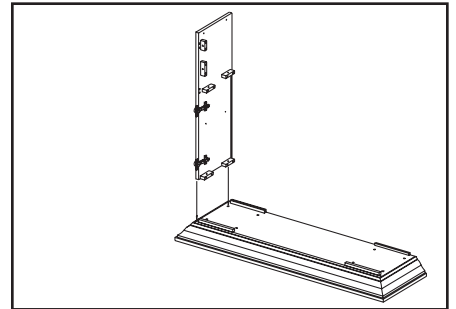
Step 1

Locate the base and place it on the floor. DO NOT put the base up against the wall at this point in the assembly. You need to get behind the mantel during the assembly process to insert and tighten several wing nuts, lock washers, hinges and screws.



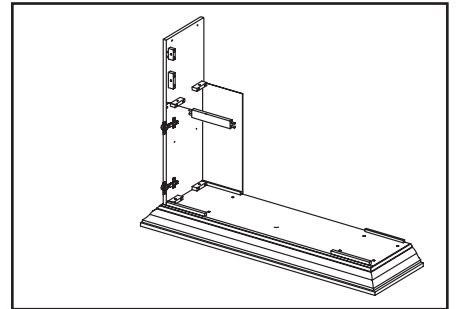
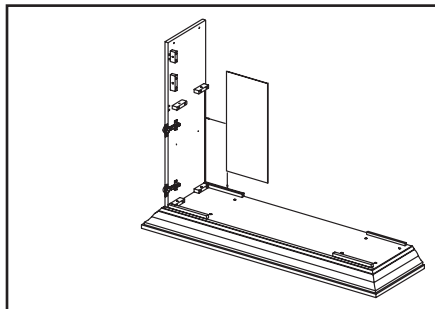
Step 2

Locate the left side panel (exterior) and position it on the left side (exterior) of the base. Line up the 2 holes, insert and tighten the 2 wing nuts and lock washers.



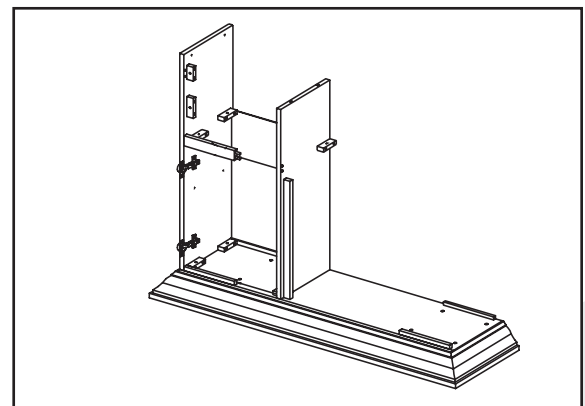
Step 3

Locate the left back panel and slide it into the groove shown on the base and the left side panel. Locate the left lower panel. Insert the 2 dowels into the dowel holes located on the left side panel.



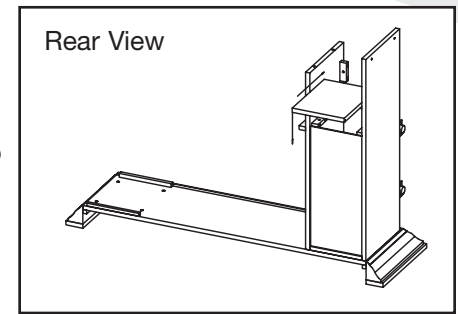
Step 4

Locate the left side panel (interior) and position it on the left side (interior) of the base. Ensure the 2 dowels on the left lower panel insert into the 2 holes on the left side (interior). Line up the 2 holes between the base and the left side panel (interior), insert and tighten the 2 wing nuts and lock washers.



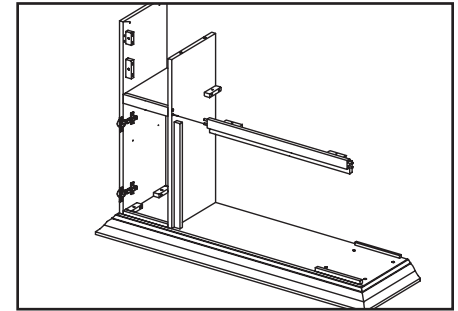
Step 5

Locate the left top shelf. Position it on the 4 supports on the left side panels – 2 on the exterior and 2 on the interior panels. From below line up the holes in the supports with those of the top shelf, insert and tighten the 4 wing nuts and lock washers.



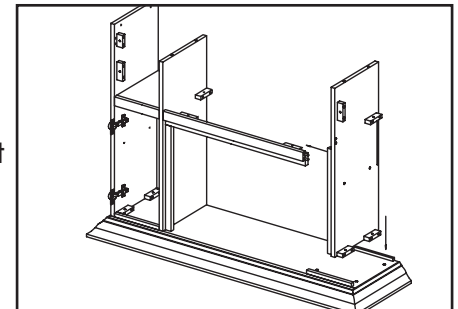
Step 6

Locate the central panel. Insert the 2 dowels on the central panel into the dowel holes on the left side panel (interior) which are at the same level as the left lower panel.



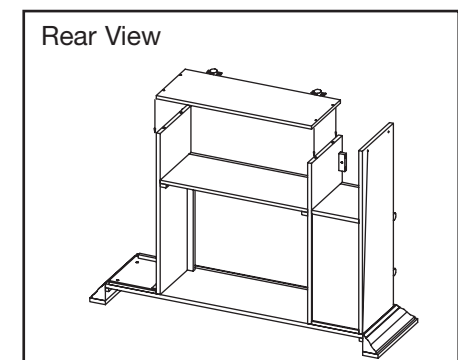
Step 7

Locate the right side panel (interior) and position it on the right side (interior) of the base. Insert the 2 dowels located on the right side of the left lower panel into the dowel holes on the right side panel (interior). Line up the holes on the right side panel (interior) and the base, insert and tighten the 2 wing nuts and lock washers.



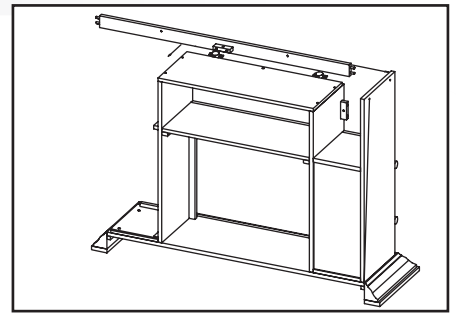
Step 8

Locate the central top shelf (with hinges) and set it on top of the left and right interior panels. From the top, line up the 4 holes (2 on each side), insert and tighten 4 wing nuts and lock washers.



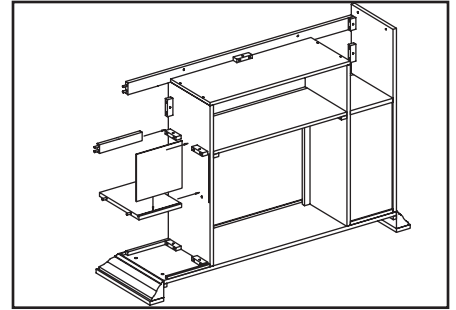
Step 9

Locate the support panel for the top of the mantel. Insert the dowels on the side of the support panel into the dowel holes in the left side panel (exterior). Line up the support in the middle of the support panel with the hole in the central top shelf. From the top, insert and tighten the 1 wing nut and lock washer.



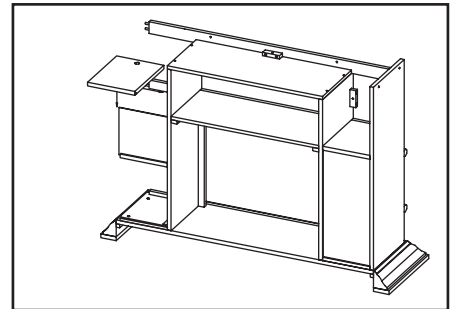
Step 10

Locate the right lower panel, right interior shelf and the right back panel. Insert the dowels on the right lower panel into the dowel holes on the right interior side panel. Insert the dowels on the side of the right interior shelf into the dowels on the right interior side panel. Slide the right back panel into the grooves on both the right interior shelf and the right interior side panel.



Step 11

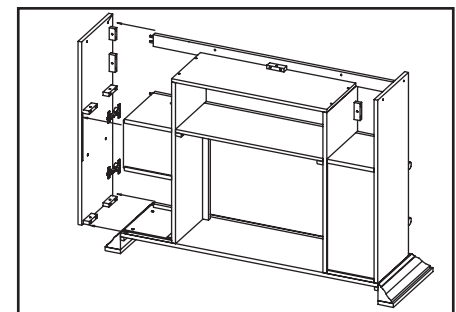
Locate the right top shelf and slide the shelf onto the supports located on the right interior side panel. Line up the holes, insert and tighten the 2 wing nut and lock washers.



Step 12

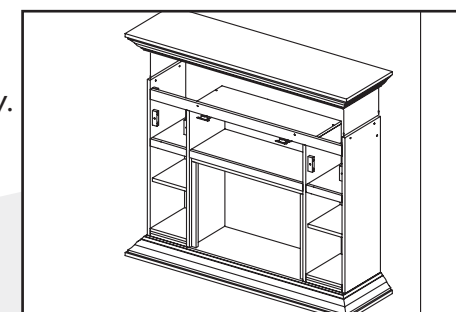
Locate the right side panel (exterior) and position it on the right side (exterior) of the base. Ensure the 2 top supports go under the right top shelf. Ensure the 2 dowels on the support panel for the top of the mantel go into the dowel holes on the right exterior side panel. Ensure the dowels on the side of the right lower panel go into the holes on the right exterior side panel. Ensure the dowels on the side of the right interior shelf go into the holes on the right exterior side panel.

Line up the 2 holes between the right exterior side panel and the base, insert and tighten the 2 wing nuts and lock washers. Line up the holes between the 2 supports on the right exterior side panel and the holes on the right top shelf. From below insert and tighten the 2 wing nuts and lock washers.



Step 13

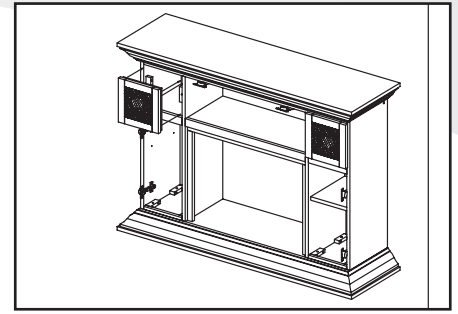
Get your assistant and locate the top of your mantel. This top is very heavy. It will take 2 people to lift and position the top into place. Ensure the top goes over the sides and the front support. Once you have lined up all the holes, from inside insert and tighten 6 wing nuts and lock washers.



Step 14

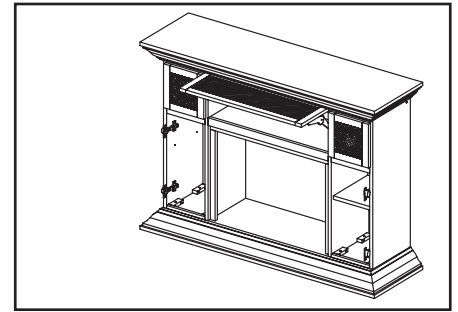
Locate the left speaker frame. Position the frame inside the opening beneath the top of the mantel. From the back, line up the holes, insert and tighten the 2 wing nut and lock washers.

Repeat step 14 for the right speaker frame.



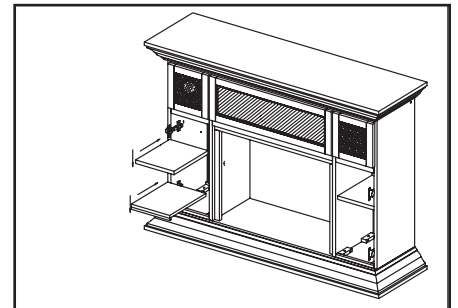
Step 15

Locate the central door for the central top shelf. Line up the 4 holes between the hinges and the door, insert and tighten the 4 screws. If the doors need to be straightened when you are done, just loosen the screws, level the door and re-tighten all 4 screws. Position one end of the left door support to the 2 guide holes in the left side panel (interior), insert and tighten 2 screws. Repeat for the right door support.



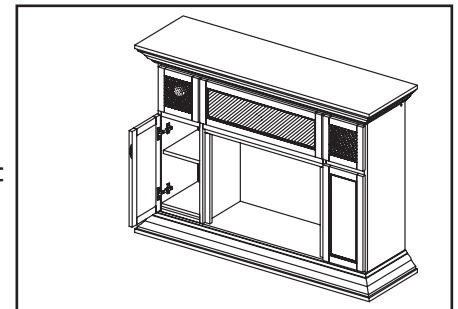
Step 16

Slide the left base shelf into position on the bottom of the left storage area to cover the supports and the hardware. Locate the shelf mounting pegs. Insert the pegs into the 2 holes on the left side of the mantel. Slide in the left adjustable shelf.



Step 17

Locate the left door for the left storage area. Line up the 4 holes, insert and tighten the 4 screws. Repeat for the right door and the right storage area. If the doors need to be straightened when you are done, just loosen the screws, level the door and re-tighten all 4 screws. Repeat for the right side.



Step 18

Locate the Audio System manual for the YY.AUD.10203. Please follow the directions in this manual to hook up all your audio components.

Step 19

Take your electric firebox out of its packaging and position it between the 2 legs of the mantel. Once you are close to the wall, plug the firebox into the nearest outlet.

The firebox comes with 3 metal brackets and 20 black screws. These metal brackets must be attached to both the sides of the firebox and the mantel to ensure that your firebox does not move around as you use it. 2 of the brackets have 2 large holes on one side. These large holes line up with 2 screws on the side of the firebox. The other screws provided must be inserted into the holes at the other end of the bracket and into the firebox. The other side of each bracket attaches to the mantel.

The 3rd bracket has no holes on 1 side. That side should go up against the firebox top but should not be attached as the heater sits right underneath the bracket. Only the mantel side should be attached.

If you have any questions about the firebox please reference the installation instructions that come with the firebox. Please reference the Quick Tips section of that instruction manual.



Step 20

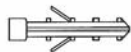
Locate the central shelf. Slide the shelf into position on top of the supports located above the firebox ensuring that the 2 dowels at the front of the shelf go into the dowel holes provided. Line up the 2 holes, then insert and tighten the 2 wing nuts and lock washers. **You must secure the firebox into position before you position this shelf.**

Step 21

You are now ready to position your mantel against the wall. This step requires 2 people to move the unit.

Anti-tipping device

At this point you must attach the anti-tipping device to your mantel and your wall. This device is a safety feature that will prevent your mantel from tipping over if a weight is applied which can unbalance the unit.



WARRANTY

Greenway Home Products is pleased to offer in-home warranty repairs. Please refer to your Firebox Use and Care Guide for warranty information on your Firebox.

DO NOT RETURN THIS PRODUCT TO THE STORE:

Please contact Customer Service at: **1-866-253-0447**

Monday to Thursday from 8:30^{AM} to 5:00^{PM} (EST), Friday from 8:30^{AM} to 4:00^{PM} (EST)

Web: **www.greenwayhp.com**

Email: **support@greenwayhp.com**

Canada: 400 Southgate Dr., Guelph, Ontario, Canada, N1G 4P5

USA: 6507 Fairfield Dr., Northwood, Ohio, USA, 43619

Limited Warranty Definitions:

Greenway Home Products:
(Greenway)

Manufacturer.

Mantel:

Mantel manufactured by Greenway Home Products.

Purchaser:

Purchaser of the Mantel

Distributor:

Facility authorized to sell Greenway Home Products.

Warranty Card

Greenway Home Products Limited Warranty Registration Card identifying the Purchaser and product model.

Greenway Limited Warranty:

Greenway warrants to the Purchaser that the Mantel is free from defects in material and workmanship, under normal use and service, for 1 year (1 year limited parts) from the date of purchase.

All warranty repairs must be preauthorized by Greenway Home Products. Greenway will, at its' option, replace or repair free of charge any defective part, which the Purchaser shall notify their Distributor or Greenway Home Products within the warranty period. The obligation of Greenway Home Products under this warranty, is expressly limited to such replacement or repairs.

The provisions of this limited warranty shall not apply to the following:

1. Accidents.
2. Unauthorized repairs or alterations.
3. Normal maintenance.
4. Changes made to other units manufactured after this mantel was manufactured.
5. Incidental damages caused by failure of the mantel such as inconvenience or loss of use.
6. Improper installation.

The provisions of this limited warranty shall not apply to deterioration due to wear and exposure beyond the following limitations:

1. For 180 days from the date of purchase for exterior finished surfaces.

Due to the properties of natural wood, Greenway Home Products makes no warranty against mineraling of wood components.

Greenway Limited Warranty is void unless the following conditions are adhered to:

1. Warranty registration must be completed and returned to a Greenway Home Products.
2. All warranty repairs must be preauthorized by a Greenway repair facility.
3. Greenway reserves the right to inspect defective parts that have been replaced under warranty. Dealer is expected to hold defective parts for 60 days.
4. Only parts and accessories and other material, available through Greenway Home Products are to be used in the performance of warranty service.
5. Purchasers are responsible for presenting/notifying their Distributor as soon a problem exists. The warranty repairs should be completed in a reasonable amount of time from the date of authorization. Not to exceed 30 days past notification.

This limited warranty is expressly in lieu of any other expressed or implied warranty, including any implied warranty or merchantability or fitness for a particular purpose and of any obligations or liabilities on Greenway Home Products which neither assumes nor authorizes any other person to assume for it any other liability in connection with the Mantel manufactured by it.

The warranty is null and void if used in commercial or industrial applications.



Free Manuals Download Website

<http://myh66.com>

<http://usermanuals.us>

<http://www.somanuals.com>

<http://www.4manuals.cc>

<http://www.manual-lib.com>

<http://www.404manual.com>

<http://www.luxmanual.com>

<http://aubethermostatmanual.com>

Golf course search by state

<http://golfingnear.com>

Email search by domain

<http://emailbydomain.com>

Auto manuals search

<http://auto.somanuals.com>

TV manuals search

<http://tv.somanuals.com>