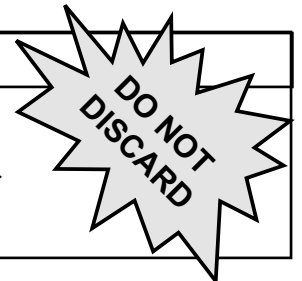


Models:
NB3630M, NB3630MI,
NB3933M, NB3933MI,
NB4236M, NB4236MI,
NB4842M, NB4842MI
B-Vent Gas Appliance

GAS-FIRED



CAUTION



• Important operating and maintenance instructions included.

DO NOT DISCARD THIS MANUAL

• Read, understand and follow these instructions for safe installation and operation.

• Leave this manual with party responsible for use and operation.

⚠ WARNING



If the information in these instructions is not followed exactly, a fire may result causing property damage, personal injury, or death.

- Do not store or use gasoline or other flammable vapors and liquids in the vicinity of this or any other appliance.
- **What to do if you smell gas:**
 - Do not try to light any appliance.
 - Do not touch any electrical switch. Do not use any phone in your building.
 - Immediately call your gas supplier from a neighbor's phone. Follow the gas supplier's instructions.
 - If you cannot reach your gas supplier, call the fire department.
- Installation and service must be performed by a qualified installer, service agency, or the gas supplier.

⚠ WARNING



HOT SURFACES!

Glass and other surfaces are hot during operation and cool down.

Hot glass will cause burns.

- Do not touch glass until it is cooled
 - NEVER allow children to touch glass
 - Keep children away
 - CAREFULLY SUPERVISE children in same room as appliance.
 - Alert children and adults to hazards of high temperatures.
- High temperatures may ignite clothing or other flammable materials.**
- Keep clothing, furniture, draperies and other combustibles away.

This appliance has been supplied with an integral barrier to prevent direct contact with the fixed glass panel. Do NOT operate the appliance with the barrier removed.

Contact your dealer or Hearth & Home Technologies if the barrier is not present or help is needed to properly install one.

In the Commonwealth of Massachusetts:

- installation must be performed by a licensed plumber or gas fitter.
- a CO detector shall be installed in the room where the appliance is installed.

This appliance may be installed as an OEM installation in manufactured home (USA only) or mobile home and must be installed in accordance with the manufacturer's instructions and the manufactured home construction and safety standard, **Title 24 CFR, Part 3280 or Standard for Installation in Mobile Homes, CAN/CSA Z240MH.**

This appliance is only for use with the type(s) of gas indicated on the rating plate.



Installation and service of this appliance should be performed by qualified personnel. Hearth & Home Technologies suggests NFI certified or factory-trained professionals, or technicians supervised by an NFI certified professional.

**Read this manual before installing or operating this appliance.
Please retain this owner's manual for future reference.**

Congratulations

Congratulations on selecting a Heatilator gas appliance—an elegant and clean alternative to wood burning appliances. The Heatilator gas appliance you have selected is designed to provide the utmost in safety, reliability, and efficiency.

As the owner of a new appliance, you'll want to read and carefully follow all of the instructions contained in this owner's manual. Pay special attention to all cautions and warnings.

This owner's manual should be retained for future reference. We suggest you keep it with your other important documents and product manuals.

The information contained in this owner's manual, unless noted otherwise, applies to all models and gas control systems.

Your new Heatilator gas appliance will give you years of durable use and trouble-free enjoyment. Welcome to the Heatilator family of appliance products!

Homeowner Reference Information	<i>We recommend that you record the following pertinent information about your appliance:</i>
Model Name: _____	Date purchased/installed: _____
Serial Number: _____	Location on appliance: _____
Dealership purchased from: _____	Dealer phone: _____
Notes: _____	

Listing Label Information/Location

The model information regarding your specific appliance can be found on the rating plate located in the control area of the appliance.

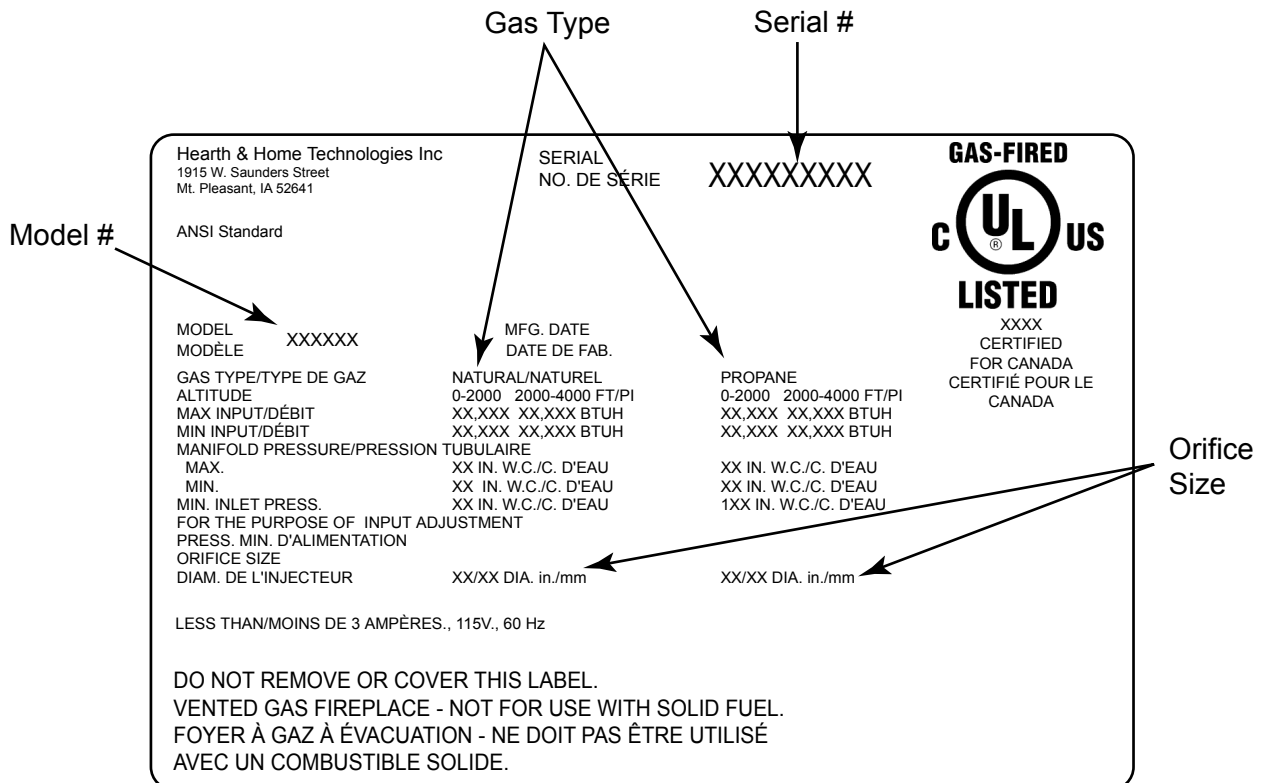


Table of Contents

1 Listing and Code Approvals	4	10 Electrical Information	21
A. Appliance Certification	4	A. Recommendation for Wire	21
B. Glass Specifications	4	B. Connecting to the Appliance	21
C. BTU Specifications	4	C. Intellifire Ignition System Wiring	21
D. High Altitude Installations	4	D. Standing Pilot Ignition System Wiring	22
E. Non-Combustible Materials	4	E. Junction Box Installation	23
F. Combustible Materials	4	F. Wall Switch Installation for Fan (Optional)	23
2 Getting Started	5	11 Finishing	24
A. Design and Installation Considerations	5	A. Mantel Projections	24
B. Negative Pressure	6	B. Facing Material	24
C. Tools and Supplies Needed	7	12 Appliance Setup	25
D. Inspect the Appliance and Components	7	A. Remove the Shipping Materials	25
3 Framing and Clearances	8	E. Clean the Appliance	25
A. Select Appliance Location	8	B. Remove the Clean Face Components	25
B. Construct the Appliance Chase	9	C. Remove Glass Assembly	25
C. Clearances	10	D. Accessories	25
D. Mantel Projections	11	F. Lava Rock, Vermiculite, Rockwool Placement	25
4 Termination Locations	12	G. Replace Glass Assembly	26
A. Vent Termination Minimum Clearances	12	H. Install Clean Face Components	26
5 Vent Information and Diagrams	13	I. Air Shutter Setting	28
A. Vent Guidelines	13	13 Operating Instructions	29
B. Vent System Configuration	13	A. Before Lighting Appliance	29
6 Vent Clearances and Framing	15	B. Check Appliance Draft	30
A. Pipe Clearances to Combustibles	15	C. Lighting the Appliance	31
B. Wall Penetration Framing	15	D. After the Appliance is Lit	33
C. Vertical Penetration Framing	15	E. Frequently Asked Questions	33
7 Appliance Preparation	16	14 Troubleshooting	34
A. Installing Outside Air Kit Damper Assembly	16	A. Standing Pilot Ignition System	34
B. Gas and Electrical Connections	17	B. Intellifire Ignition System	36
C. Securing and Leveling Appliance	17	15 Maintaining and Servicing the Appliance	38
8 Installing Vent Pipe	18	16 Reference Materials	40
A. Assemble Vent Sections	18	A. Appliance Dimension Diagram	40
B. Attach Vent to Firebox Assembly	18	B. Service Parts List	42
C. Securing Vent Sections	18	C. Optional Components	58
9 Gas Information	19	D. Limited Lifetime Warranty	67
A. Fuel Conversion	19	E. Contact Information	68
B. Gas Pressure	19		
C. Gas Connection	19		
D. High Altitude Installations	20		

Note: An arrow (➔) found in the text signifies change in content.

1 Listing and Code Approvals

A. Appliance Certification

MODELS: NB3630M, NB3630MI, NB3933M, NB3933MI, NB4236M, NB4236MI, NB4842M, NB4842MI
LABORATORY: Underwriters Laboratories, Inc. (UL)
TYPE: B-Vent Gas Appliance
STANDARD: ANSI Z21.88-2005/CSA2.33-2005

This product is listed to ANSI standards for "Vented Gas Fireplaces" and "Gas Fired Appliances for Use at High Altitudes".

This model (natural gas and propane) can be installed in a bedroom (in the United States) which has a total volume of unconfined space appropriate to the particular installation. Refer to the **National Fuel Gas Code ANSI Z223.1/NFPA54 (current edition)**, **The Uniform Mechanical Code - (current edition)**, and local building officials for the options allowed in obtaining an effective bedroom volume of unconfined space.

This model (natural gas and propane) can be installed in a bedroom (in Canada) if a thermostat is installed with the appliance. Consult local code authorities.

NOT INTENDED FOR USE AS A PRIMARY HEAT SOURCE. This appliance is tested and approved as either supplemental room heat or as a decorative appliance. It should not be factored as primary heat in residential heating calculations.

B. Glass Specifications

Hearth & Home Technologies appliances manufactured with tempered glass may be installed in hazardous locations such as bathtub enclosures as defined by the Consumer Product Safety Commission (CPSC). The tempered glass has been tested and certified to the requirements of **ANSI Z97.1** and **CPSC 16 CFR 1202** (Safety Glazing Certification Council **SGCC# 1595** and **1597**. Architectural Testing, Inc. Reports **02-31919.01** and **02-31917.01**).

This statement is in compliance with **CPSC 16 CFR Section 1201.5** "Certification and labeling requirements" which refers to **15 U.S. Code (USC) 2063** stating "...Such certificate shall accompany the product or shall otherwise be furnished to any distributor or retailer to whom the product is delivered."

Some local building codes require the use of tempered glass with permanent marking in such locations. Glass meeting this requirement is available from the factory. Please contact your dealer or distributor to order.

Note: This installation must conform with local codes. In the absence of local codes you must comply with the **National Fuel Gas Code, ANSI Z223.1-latest edition** in the U.S.A. and the **CAN/CGA B149 Installation Codes** in Canada.

C. BTU Specifications

Novus BV	NB3630M	NB3933M
Standing Pilot or IPI		
Max/Min Input Rate (NG)	20,000/14,000	22,000/15,000
Orifice Size (NG)	0.083	0.089
Max/Min Input Rate (LP)	20,000/15,000	22,000/15,000
Orifice Size (LP)	0.052	0.055

Novus BV	NB4236M	NB4842M
Standing Pilot or IPI		
Max/Min Input Rate (NG)	25,000/17,000	30,000/20,500
Orifice Size (NG)	0.094	0.104
Max/Min Input Rate (LP)	25,000/17,000	30,000/20,500]
Orifice Size (LP)	0.058	0.064

D. High Altitude Installations

U.L. Listed gas appliances are tested and approved without requiring changes for elevations from 0 to 2000 feet in the U.S.A. and Canada.

When installing this appliance at an elevation above 2000 ft, it may be necessary to decrease the input rating by changing the existing burner orifice to a smaller size. Input rate should be reduced by 4% for each 1000 ft above a 2000 ft elevation in the U.S.A., or 10% for elevations between 2000 and 4500 ft in Canada. If the heating value of the gas has been reduced, these rules do not apply. To identify the proper orifice size, check with the local gas utility.

If installing this appliance at an elevation above 4500 ft (in Canada), check with local authorities.

WARNING

Do NOT use this appliance if any part has been under water. Immediately call a qualified service technician to inspect the appliance and to replace any part of the control system and any gas control which has been under water.

E. Non-Combustible Materials

Material which will not ignite and burn. Such materials are those consisting entirely of steel, iron, brick, tile, concrete, slate, glass or plasters, or any combination thereof.

Materials that are reported as passing **ASTM E 136, Standard Test Method for Behavior of Materials in a Vertical Tube Furnace at 750° C**, shall be considered non-combustible materials.

F. Combustible Materials

Materials made of or surfaced with wood, compressed paper, plant fibers, plastics, or other material that can ignite and burn, whether flame proofed or not, or whether plastered or unplastered shall be considered combustible materials.

2 Getting Started

A. Design and Installation Considerations

Heatilator B-vent gas appliances are designed to operate with all exhaust gases expelled to the outside of the building, and combustion air pulled from the room.

CAUTION

Check building codes prior to installation.

- Installation **MUST** comply with local, regional, state and national codes and regulations.
- Consult insurance carrier, local building, fire officials or authorities having jurisdiction about restrictions, installation inspection, and permits.

When planning an appliance installation, it's necessary to determine the following information before installing:

- Where the appliance is to be installed. **See Sections 3 and 4.**
- The vent system configuration to be used. **See Sections 5 and 6.**
- Gas supply piping. **See Sections 7 and 9.**
- Electrical wiring. **See Sections 7 and 10**
- Framing and finishing details. **See Sections 3, 6 and 11.**
- Whether optional accessories—devices such as a fan, wall switch, or remote control—are desired. **See Section 16.**




WARNING

Keep appliance dry.

- Mold or rust may cause odors.
- Water may damage controls.



B. Negative Pressure

⚠ WARNING	
	Asphyxiation Risk <ul style="list-style-type: none">• Negative pressure can cause spillage of combustion fumes and soot.• Fire needs to draft properly for safe operation.

Draft is the pressure difference needed to vent fireplaces successfully. Considerations for successful draft include:

- Preventing negative pressure.
- Location of fireplace and chimney.

Negative Pressure

Negative pressure results from the imbalance of air available for the fireplace to operate properly. Causes for this imbalance include:

- Exhaust fans (kitchen, bath, etc.).
- Range hoods.
- Combustion air requirements for furnaces, water heaters and other combustion appliances.
- Clothes dryers.
- Location of return-air vents to furnace or air conditioning.
- Imbalances of the HVAC air handling system.
- Upper level air leaks (recessed lighting, attic hatch opening, duct leaks).

To minimize the effects of negative air pressure, the following must be considered:

- Install the outside air kit. Install the intake on the side of the house towards prevailing winds during the heating season.
- Ensure adequate outdoor air is supplied for combustion appliances and exhaust equipment.
- Ensure furnace and air conditioning return vents are not located in the immediate vicinity of the fireplace.
- Avoid installing the fireplace near doors, walkways or small isolated spaces.
- Recessed lighting should be a “sealed can” design; attic hatches weather stripped or sealed; attic mounted duct work and air handler joints and seams taped or sealed.
- Basement installations should be avoided due to stack effect. Stack effect creates negative pressure in lower levels. Hearth & Home Technologies recommends the use of direct vent fireplaces in basements.

Location of the fireplace and chimney will affect performance. As shown in Figure 2.1 the chimney should:

- Be installed through the warm airspace enclosed by the building envelope. This helps to produce more draft, especially during lighting and die-down of the fire.
- Penetrate the highest part of the roof. This minimizes the effects of wind turbulence.
- Be located away from trees, adjacent structures, uneven roof lines and other obstructions.

Offsets can restrict draft so their use should be minimized. Consider the fireplace location relative to floor and ceiling and attic joists.

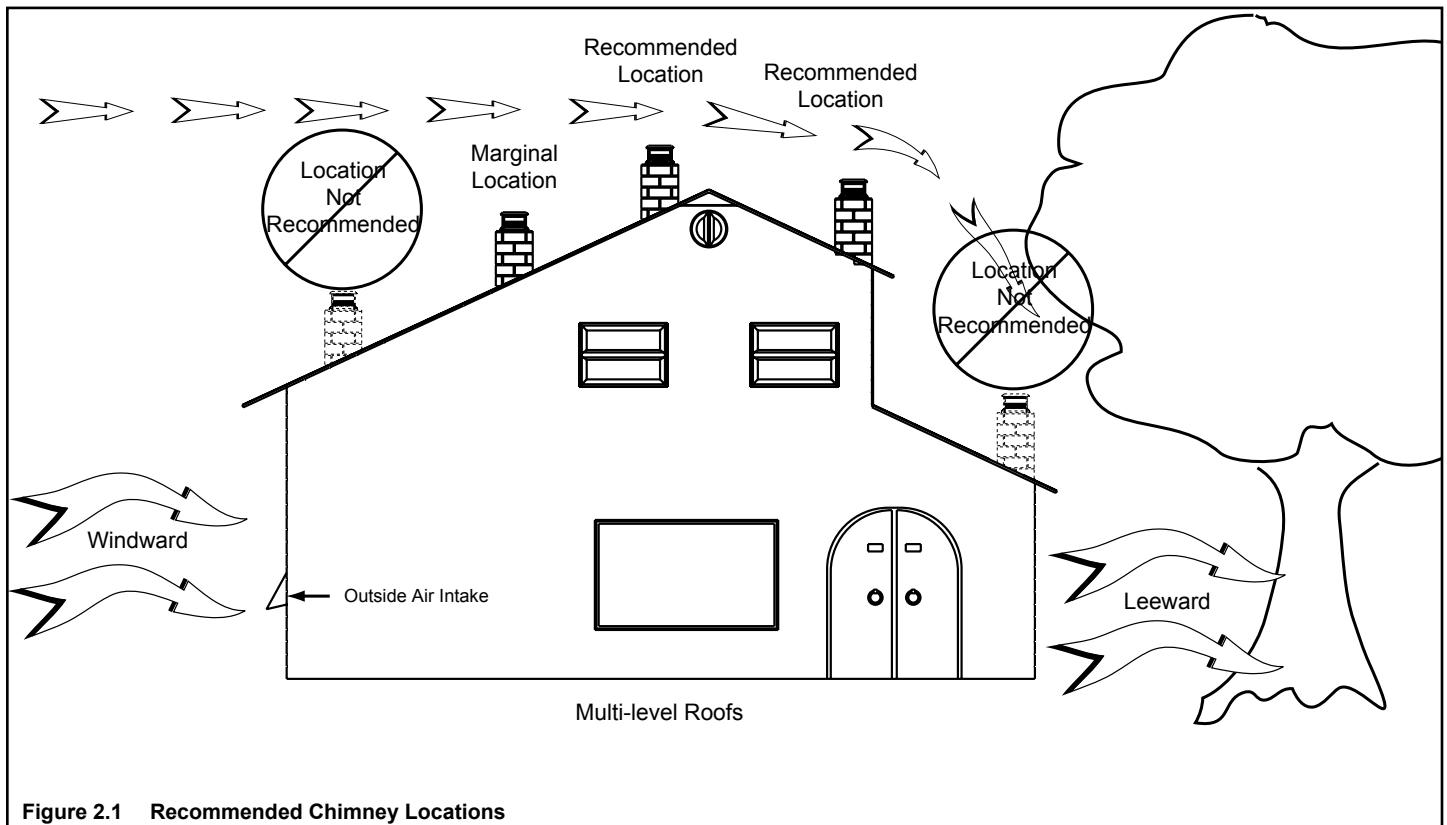




Figure 2.1 Recommended Chimney Locations

C. Tools and Supplies Needed

Before beginning the installation be sure that the following tools and building supplies are available.

- | | |
|---|-----------------------------------|
| Reciprocating saw | Framing material |
| Pliers | Hi temp caulking material |
| Hammer | Gloves |
| Phillips screwdriver | Framing square |
| Flat blade screwdriver | Electric drill and bits (1/4 in.) |
| Plumb line | Safety glasses |
| Level | Manometer |
| Voltmeter | Tape measure |
| Non-corrosive leak check solution | |
| 1/2 - 3/4 in. length, #6 or #8 Self-drilling screws | |
| One 1/4 in. female connection (for optional fan). | |

D. Inspect the Appliance and Components

	⚠ WARNING
	Inspect appliance and components for damage. Damaged parts may impair safe operation.
	<ul style="list-style-type: none"> • Do NOT install damaged components. • Do NOT install incomplete components. • Do NOT install substitute components.
	Report damaged parts to dealer.

The following B-vent components are needed for installation. See Figure 2.2.

- Appliance
- Pipe components
- Firestops
- Attic Insulation Shield
- Elbows
- Strapping
- Roof flashing or chase top
- Termination cap
- Storm Collar
- Carefully remove the appliance and components from the packaging.
- The vent system components and trim doors are shipped in separate packages.
- The gas logs may be packaged separately and must be field installed.
- Report to your dealer any parts damaged in shipment, particularly the condition of the glass.
- **Read all of the instructions before starting the installation. Follow these instructions carefully during the installation to ensure maximum safety and benefit.**

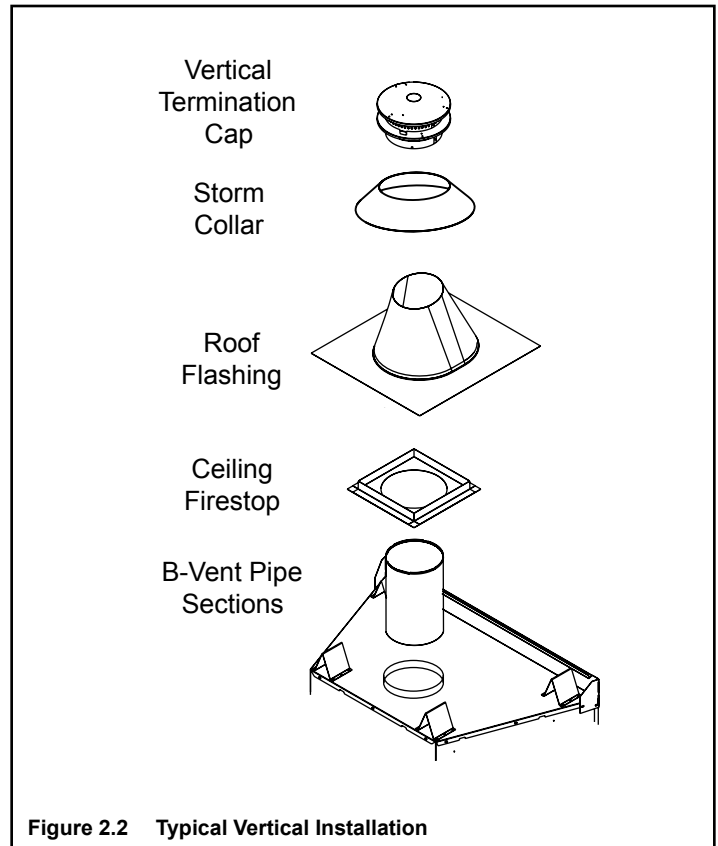




Figure 2.2 Typical Vertical Installation

	⚠ WARNING
	Hearth & Home Technologies disclaims any responsibility for, and the warranty will be voided by, the following actions:
	<ul style="list-style-type: none"> • Installation and use of any damaged appliance or vent system component. • Modification of the appliance or vent system. • Installation other than as instructed by Hearth & Home Technologies. • Improper positioning of the gas logs or the glass door. • Installation and/or use of any component part not approved by Hearth & Home Technologies.
	Any such action may cause a fire hazard.

3 Framing and Clearances

Note:

- Illustrations reflect typical installations and are FOR DESIGN PURPOSES ONLY.
- Illustrations/diagrams are not drawn to scale.
- Actual installation may vary due to individual design preference.



WARNING

Fire Risk
Provide adequate clearance:

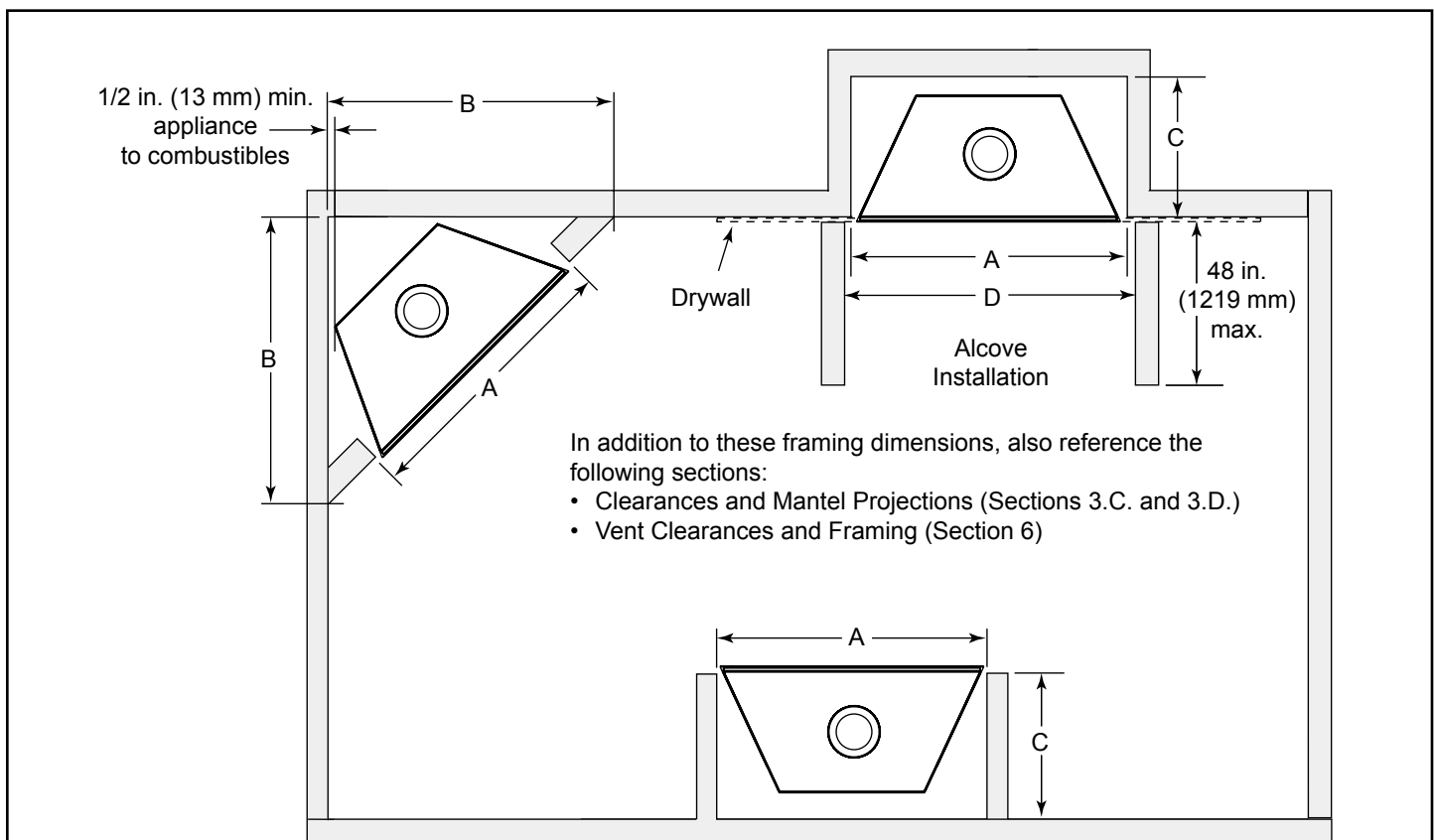
- Around air openings.
- For service access.

Locate appliance away from traffic areas.

A. Select Appliance Location

When selecting a location for your appliance it is important to consider the required clearances to walls (See Figure 3.1).

Note: For actual appliance dimensions refer to Section 16.



Model		A	B	C	D
NB3630M/MI	<i>inches</i>	36	33-1/2	19-5/8	37
	<i>mm</i>	914	851	498	940
NB3933M/MI	<i>inches</i>	39	35-1/2	19-5/8	40
	<i>mm</i>	991	902	498	1016
NB4236M/MI	<i>inches</i>	42	37-5/8	19-5/8	43
	<i>mm</i>	1067	956	498	1092
NB4842M/MI	<i>inches</i>	48	41-7/8	19-5/8	49
	<i>mm</i>	1219	1064	498	1245

Figure 3.1 Appliance Locations

B. Construct the Appliance Chase

A chase is a vertical boxlike structure built to enclose the gas appliance and/or its vent system. Vertical vents that run on the outside of a building may be, but are not required to be, installed inside a chase.

Construction of the chase may vary with the type of building. These instructions are not substitutes for the requirements of local building codes. Local building codes **MUST** be checked.

Chases should be constructed in the manner of all outside walls of the home to prevent cold air drafting problems. The chase should not break the outside building envelope in any manner.

Walls, ceiling, base plate and cantilever floor of the chase should be insulated. Vapor and air infiltration barriers should be installed in the chase as per regional codes for the rest of the home. Additionally, Hearth & Home Technologies recommends that the inside surfaces be sheet rocked and taped (or the use of an equivalent method) for maximum air tightness.

To further prevent drafts gas line holes and other openings should be caulked with high temp caulk or stuffed with unfaced insulation. If the appliance is being installed on a cement slab, we recommend that a layer of plywood be placed underneath to prevent conducting cold up into the room.



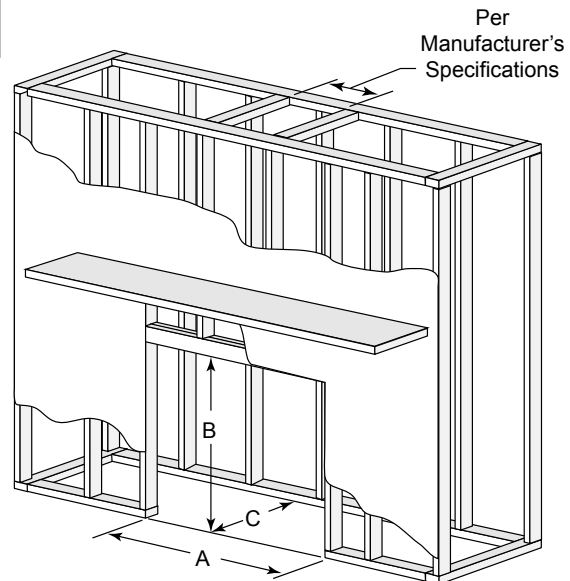
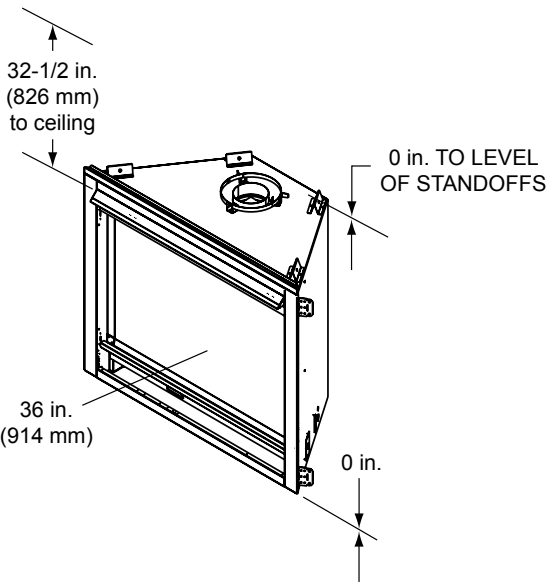
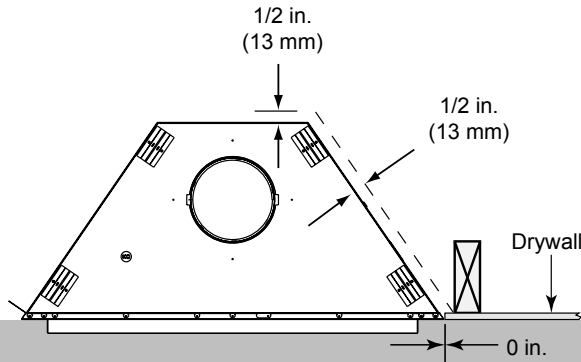
WARNING

Fire Risk

- Construct chase to all clearance specifications in manual.
- Locate and install appliance to all clearance specifications in manual.

C. Clearances

Note: If the inside of the framed cavity is to be finished, the framing dimensions **must** include the finished surface. If drywall is to be attached to the rear wall, the depth must be measured from the drywall surface.



⚠ WARNING

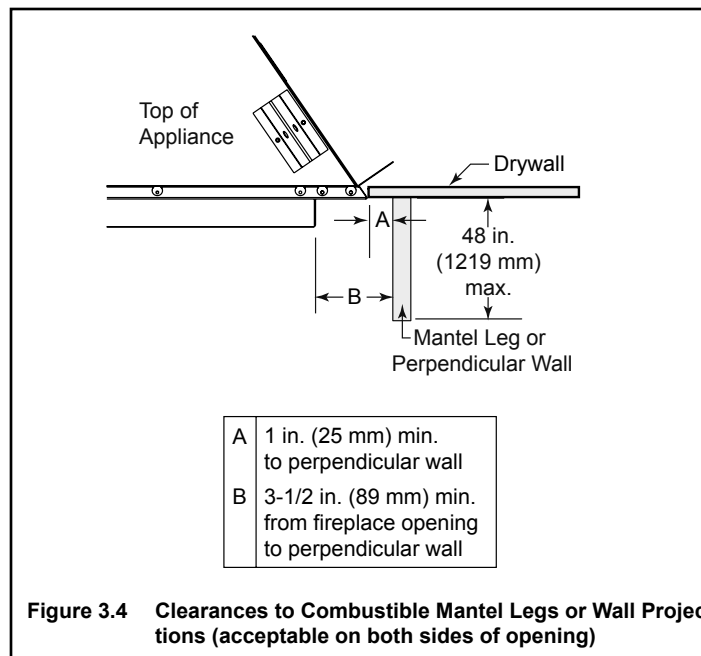
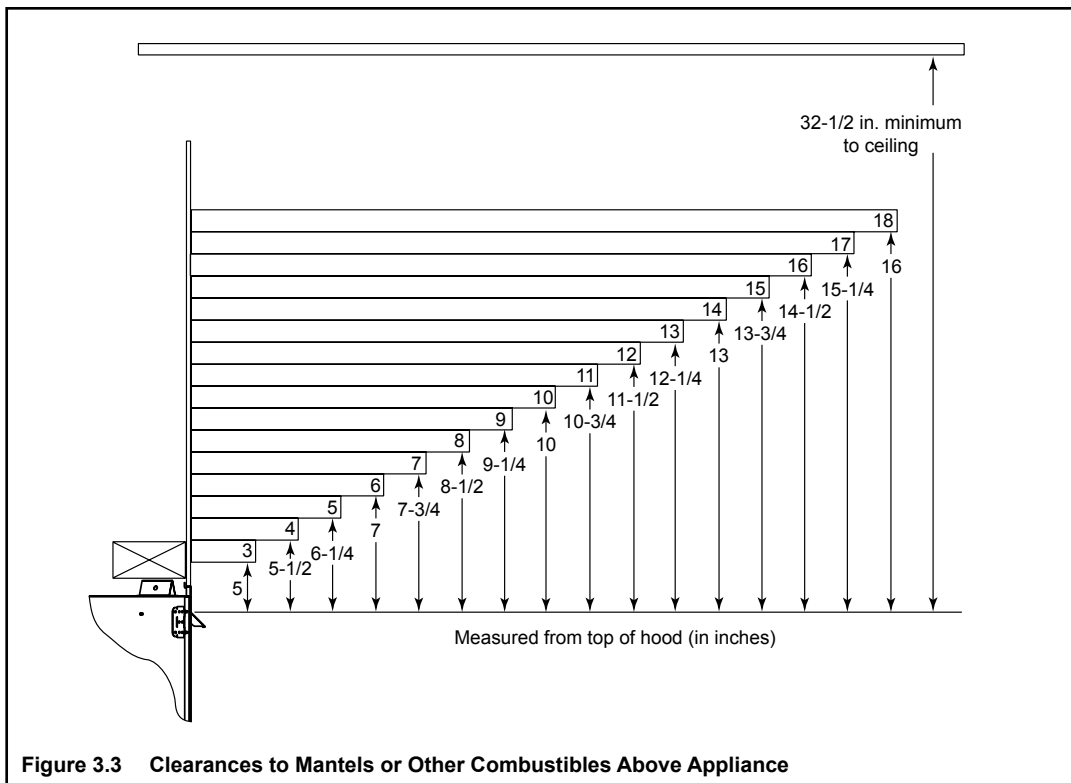
Fire Risk Odor Risk

- Install appliance on hard metal or wood surfaces extending full width and depth of appliance.
- Do NOT install appliance directly on carpeting, vinyl, tile or any combustible material other than wood.
- Do NOT place furniture or any other combustible household objects within 36 in. of the appliance front.

Model		A Rough Opening (Width)	B Rough Opening (Height)	C Rough Opening (Depth)
NB3630M/MI	<i>in.</i>	36	34-7/8	19-5/8
	<i>mm</i>	914	886	498
NB3933M/MI	<i>in.</i>	39	34-7/8	19-5/8
	<i>mm</i>	991	886	498
NB4236M/MI	<i>in.</i>	42	34-7/8	19-5/8
	<i>mm</i>	1067	886	498
NB4842M/MI	<i>in.</i>	48	34-7/8	19-5/8
	<i>mm</i>	1219	886	498

Figure 3.2 Clearances to Combustibles

D. Mantel Projections



WARNING



Fire Risk

- Comply with all minimum clearances to combustibles as specified.
- Framing or finishing material used on the front of, or in front of, the appliance closer than the minimums listed, must be constructed entirely of noncombustible materials (i.e., steel studs, concrete board, etc.). Failure to comply may cause fire.

4 Termination Locations

A. Vent Termination Minimum Clearances

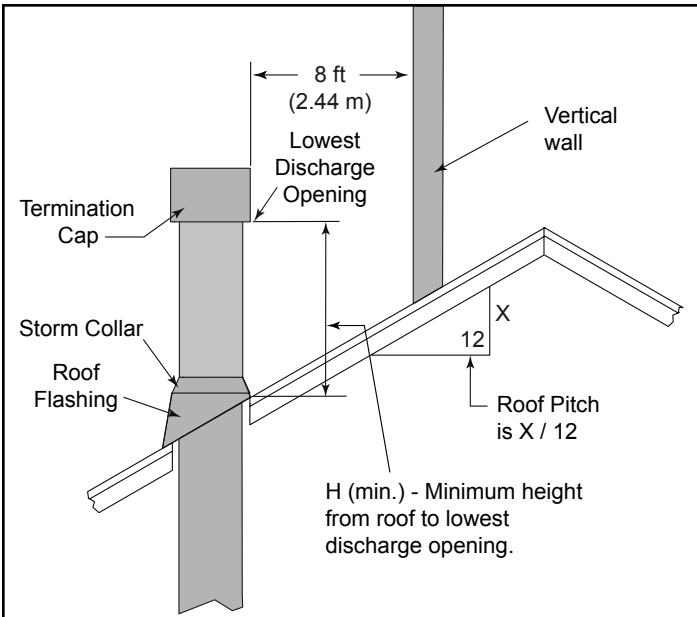
WARNING

Fire Risk
Explosion Risk

Maintain vent clearance to combustibles as specified.

- Do not pack air space with insulation or other materials.

Failure to keep insulation or other materials away from vent pipe may cause fire.



Roof Pitch	H (Min.) Ft.	Roof Pitch	H (Min.) Ft.
Flat to 6/12	1.0*	Over 11/12 to 12/12	4.0
Over 6/12 to 7/12	1.25*	Over 12/12 to 14/12	5.0
Over 7/12 to 8/12	1.5*	Over 14/12 to 16/12	6.0
Over 8/12 to 9/12	2.0*	Over 16/12 to 18/12	7.0
Over 9/12 to 10/12	2.5	Over 18/12 to 20/12	7.5
Over 10/12 to 11/12	3.25	Over 20/12 to 21/12	8.0

* 3 ft. minimum in snow regions

Figure 4.1 Minimum Height from Roof to Lowest Discharge Opening

B-Vent Gas, Wood or Fuel Oil Termination

Termination Caps Staggered Height

	Gas Termination	Wood or Fuel Oil Termination
A		
B	6 in. (152 mm) min.	20 in. (508 mm) min.

B-Vent Gas, Wood or Fuel Oil Termination

Termination Caps Same Height



* If using decorative cap cover(s), this distance may need to be increased. Refer to the installation instructions supplied with the decorative cap cover.

Figure 4.2 Multiple Vertical Termination

Figure 4.1 specifies minimum vent heights for various pitched roofs.

5 Vent Information and Diagrams




A. Vent Guidelines

	WARNING
	<p>Fire Risk Asphyxiation Risk</p> <p>This appliance requires the specified pipe for operation.</p> <ul style="list-style-type: none"> Incorrect pipe may cause spillage, condensation and overheating.

These models require the following size B-Vent double wall vent pipe.

Model	Pipe Size
NB3630M/NB3630MI/NB3933M/NB3933MI	5 in. (127 mm)
NB4236M/NB4236MI/NB4842M/NB4842MI	5 in. (127 mm)

- Follow pipe manufacturer's installation guidelines when installing the appliance.

	WARNING
	<p>Fire Risk Explosion Risk Asphyxiation Risk</p> <p>Do NOT connect this gas appliance to a chimney flue serving a separate solid-fuel or gas burning appliance.</p> <ul style="list-style-type: none"> Vent this appliance directly outside. Use separate vent system for this appliance.
	<p>May impair safe operation of this appliance or other appliances connected to the flue.</p>

CAUTION
<p>ALL vent configuration specifications MUST be followed.</p> <ul style="list-style-type: none"> This product is tested and listed to appliance and vent manufacturer's specifications. Appliance performance will suffer if specifications are not followed.

B. Vent System Configuration

- Rise to Run Ratio: 2:1
- Maximum Total Horizontal Run: 30 ft (9.14 m)
- Minimum Total Vertical Rise: 12 ft (3.66 m)
- Maximum Total Vertical Rise: 60 ft (18.29 m)
- Maximum Number of Elbows: Four 90° or Eight 45°

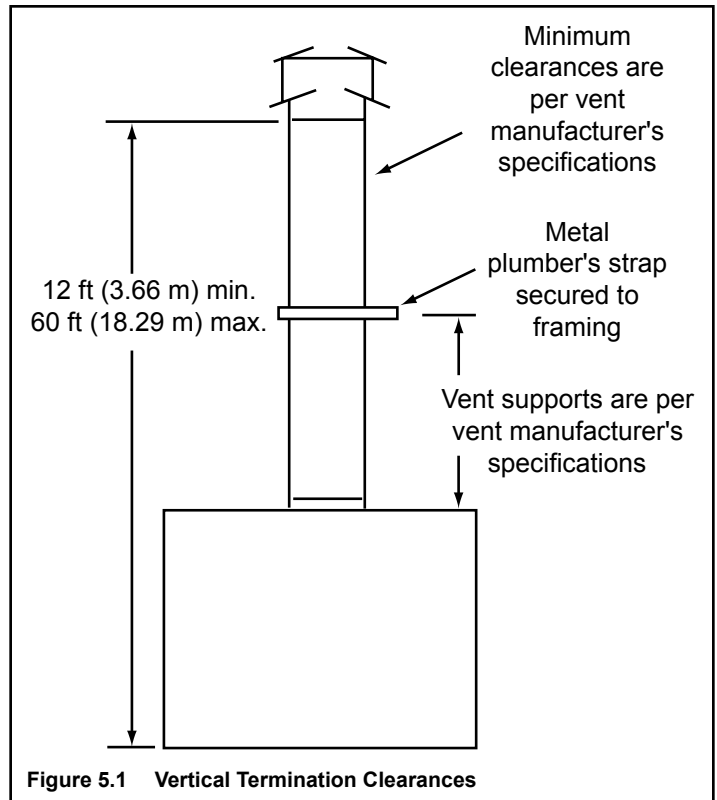


Figure 5.1 Vertical Termination Clearances

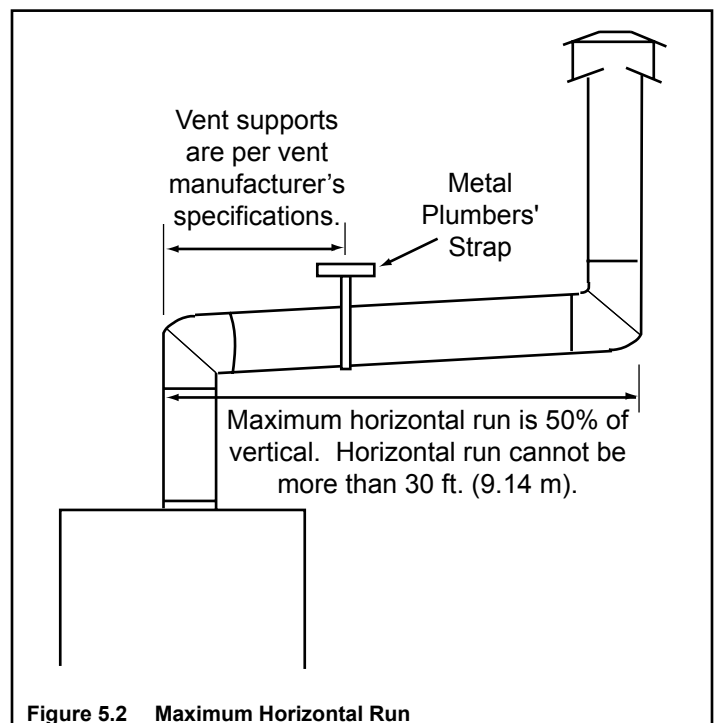


Figure 5.2 Maximum Horizontal Run



⚠ WARNING

Fire Risk Explosion Risk

Insulation and other combustibles must not infringe on clearances.

- ALWAYS maintain specified clearances around venting and firestop systems.
- Install firestops as specified.

Failure to keep insulation or other material away from vent pipe may cause fire.



Maximum
horizontal

30 ft (9.14 m)

45°
Elbow
90°
Elbow




Offsets exceeding
45° adapt horizontal
limitations

Note: Maximum horizontal
distance is 50% of vertical
vent height.

Figure 5.3 Maximum Horizontal Run

6 Vent Clearances and Framing

A. Pipe Clearances to Combustibles

	WARNING
	Fire Risk
	Explosion Risk
	Maintain vent clearance to combustibles as specified.
	<ul style="list-style-type: none">• Do not pack air space with insulation or other materials.• National building codes recommend using attic shield to keep loose materials/insulation from contacting vent.
	Failure to keep insulation or other materials away from vent pipe may cause fire.

Follow vent pipe manufacturer's instructions for all clearances around pipe.

B. Wall Penetration Framing

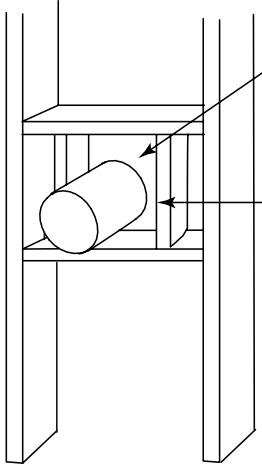
	Do not pack with insulation or other materials.
	Use manufacturer's installation instructions for framing dimensions




Figure 6.1 Exterior Wall Hole

For a wall penetration consult B-vent pipe manufacturer's instructions. Use same dimensional framing materials as those used in the wall construction.

Note: MUST terminate vertically.


C. Vertical Penetration Framing

Use B-vent manufacturer's firestops to provide adequate clearances.

	WARNING
	Fire Risk
	Keep loose materials or blown insulation from touching the vent pipe.
	<ul style="list-style-type: none">• National building codes recommend using attic shield to keep loose materials/insulation from contacting vent.• Hearth & Home Technologies requires the use of an attic shield.


7 Appliance Preparation

CAUTION




Sharp Edges

- Wear protective gloves and safety glasses during installation.




A. Installing Outside Air Kit Damper Assembly

WARNING



Fire Risk



Asphyxiation Risk

Maintain vent clearance to combustibles as specified.

- Do not pack air space with insulation or other materials.
- National building codes recommend using attic shield to keep loose materials/insulation from contacting vent.

Failure to keep insulation or other materials away from vent pipe may cause fire.


This appliance will operate correctly only if adequate ventilation is provided to allow proper draft to the system.

An outside air kit is available as an optional feature with this appliance. An outside air kit helps to decrease the amount of room air taken by utilizing outside air for combustion. We strongly recommend that it be installed.


Note: the outside air kit inlet thimble should be positioned in a manner that will not allow snow, leaves, etc. to block the inlet. A 3 ft. (.91 m) minimum height difference must be maintained from the top of the uppermost chimney section to the outside combustion air inlet. Reference Section 2.

- The outside air kit can only be installed on the left side of the appliance.
- Refer to the installation instructions provided with the kit.

WARNING



Fire Risk



Asphyxiation Risk

Do not draw outside combustion air from:

- Wall, floor or ceiling cavity.
- Enclosed space such as an attic or garage.
- Close proximity to exhaust vents or chimneys.

Fumes or odor may result.

CAUTION

Risk of Smoke Spillage

Outside air inlet must be located to prevent blockage from:

- Leaves
- Snow/ice
- Other debris

Blockage may cause combustion air starvation.

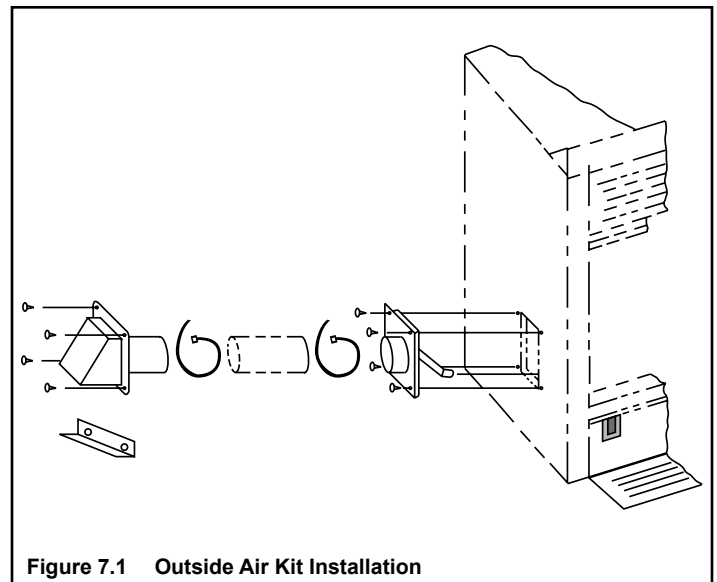


Figure 7.1 Outside Air Kit Installation

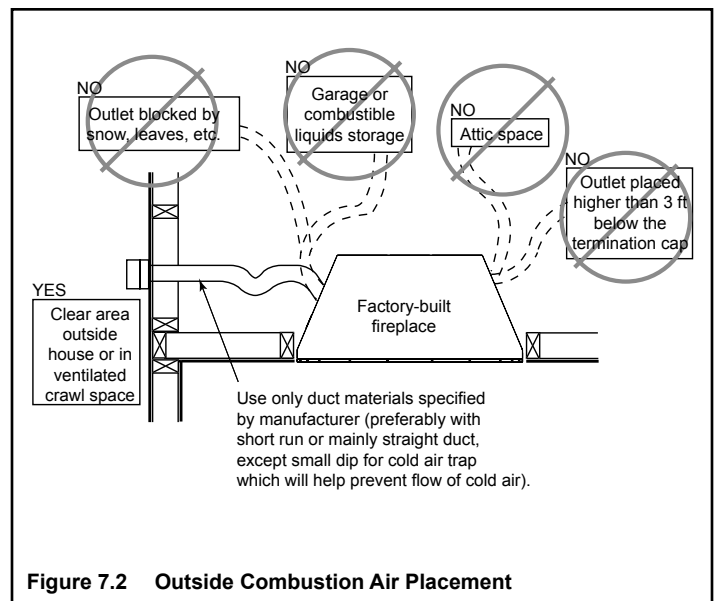



Figure 7.2 Outside Combustion Air Placement

B. Gas and Electrical Connections

Ensure that gas and electrical connections are installed at this time. Refer to Sections 9 and 10.

C. Securing and Leveling Appliance

	WARNING
	Fire Risk!
	<ul style="list-style-type: none">• Prevent contact with sagging, loose insulation.• Do NOT install against combustible materials such as exposed insulation, plastic and insulation backer.

The diagram shows how to properly position, level, and secure the appliance (see Figure 7.3). Nailing tabs are provided to secure the appliance to the framing members.

- Place the appliance into position.
- Level the appliance from side to side and front to back.
- Shim the appliance as necessary. It is acceptable to use wood shims.
- Bend out nailing tabs on each side.
- Keep nailing tabs flush with the framing.
- Secure the appliance to the framing by using nails or screws through the nailing tabs.

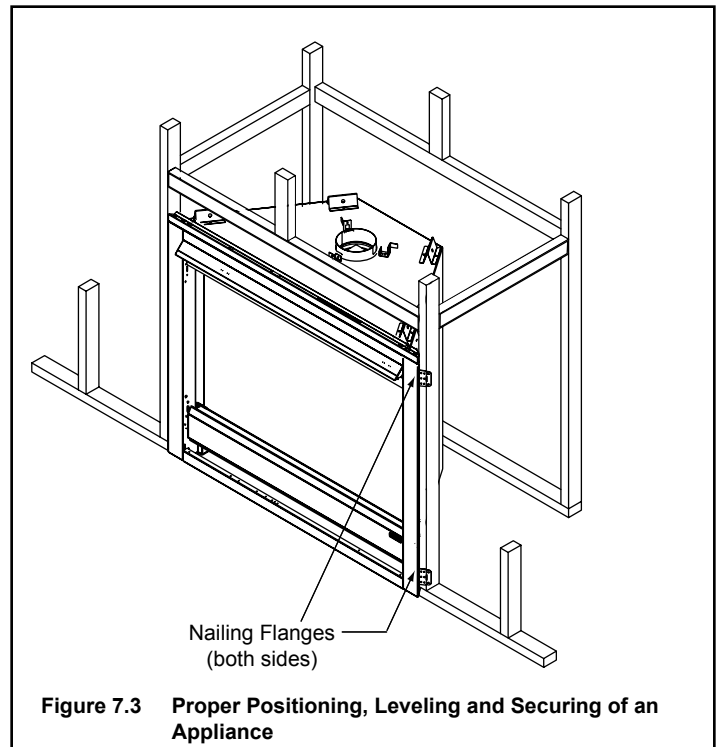


Figure 7.3 Proper Positioning, Leveling and Securing of an Appliance

Note: Once appliance is set up for top or rear venting, it CANNOT be changed at a later time.



CAUTION

Do NOT notch into the framing around the appliance spacers.

8 Installing Vent Pipe

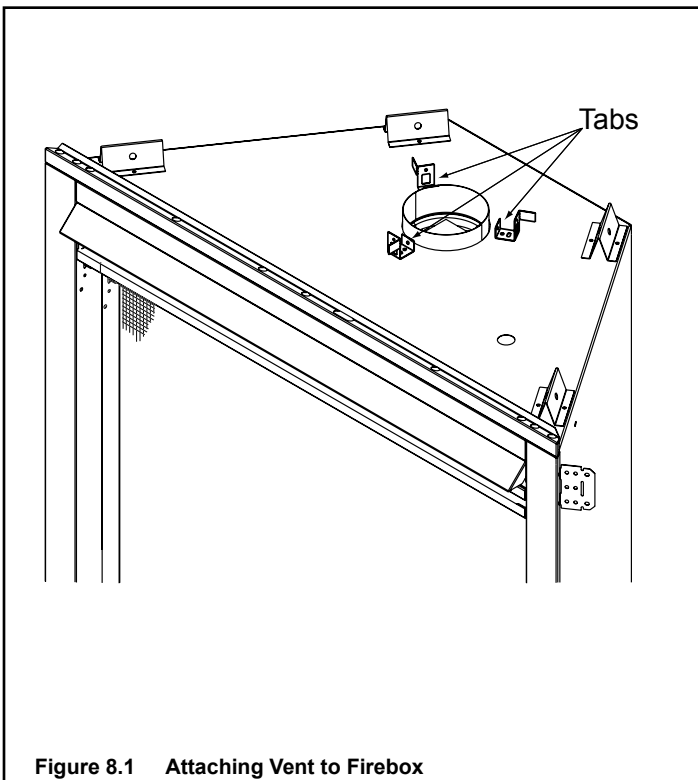
A. Assemble Vent Sections

This B-Vent appliance requires 5 in. B-vent double-wall pipe. Follow the pipe manufacturer's installation guidelines when installing the appliance. This will ensure proper operation and prevent safety hazards.

	WARNING
	Fire Risk Exhaust Fumes Risk Impaired Performance of Appliance.
	<ul style="list-style-type: none">• Assemble pipe sections per B-Vent manufacturer's instructions.• Use support tabs for screws.• Screws must not exceed 1 in. long and must not penetrate inner lining.• Pipe may separate if not properly joined.




B. Attach Vent to Firebox Assembly

Three tabs extend from appliance collar shield. Attach tabs to first section of B-vent pipe using self-tapping 1/4 in. screws supplied with appliance. See Figure 8.1.



C. Securing Vent Sections

Secure vent sections with vent supports following B-vent manufacturer's instructions.

	WARNING
	Fire Risk Explosion Risk Asphyxiation Risk
	Use vent run supports per vent manufacturer's installation instructions. Connect vent sections per vent manufacturer's installation instructions.
	<ul style="list-style-type: none">• Maintain all clearances to combustibles.• Maintain specified slope (if required). Improper support may allow vent to sag or separate.

9 Gas Information


A. Fuel Conversion



Before making gas connections ensure appliance being installed is compatible with the available gas type.

Any natural or propane gas conversions necessary to meet the appliance and locality needs must be made by a qualified technician using Hearth & Home Technologies specified and approved parts.

B. Gas Pressure

Proper input pressures are required for optimum appliance performance. Gas line sizing requirements need to be made following **NFPA51**.


 **WARNING**






Fire Risk
Explosion Risk

High pressure will damage valve.

- Disconnect gas supply piping **BEFORE** pressure testing gas line at test pressures above 1/2 psig.
- Close the manual shutoff valve **BEFORE** pressure testing gas line at test pressures equal to or less than 1/2 psig.

 **WARNING**

Fire Risk
Explosion Risk

Verify inlet pressures.

- High pressure may cause overfire condition.
- Low pressure may cause explosion.
- Verify minimum pressures when other household gas appliances are operating.

Install regulator upstream of valve if line pressure is greater than 1/2 psig.

Pressure requirements for appliance are shown in table below. Minimum pressures must be met when other household gas appliances are operating.

Pressure	Natural Gas	Propane
Minimum Inlet Pressure	5.0 in. w.c.	11.0 in. w.c.
Maximum Inlet Pressure	7.0 in. w.c.	14.0 in. w.c.
Manifold Pressure	3.5 in. w.c.	10.0 in. w.c.

C. Gas Connection


Note: Have the gas supply line installed in accordance with local building codes, if any. If not, follow **ANSI 223.1**. Installation should be done by a qualified installer approved and/or licensed as required by the locality. (In the Commonwealth of Massachusetts installation must be performed by a licensed plumber or gas fitter.)


Note: A listed (and Commonwealth of Massachusetts approved) 1/2 in. (13 mm) T-handle manual shut-off valve and flexible gas connector are connected to the 1/2 in. (13 mm) control valve inlet.

- **If substituting for these components, please consult local codes for compliance.**

Refer to Reference Section 16 for location of gas line access in appliance.

Note: Gas line may be run from either side of appliance using one of the knockouts provided. Hole in outer shell **NOT** to exceed 2-1/2 in. and should never penetrate the firebox.

 **WARNING**



Gas Leak Risk

- Support control when attaching pipe to prevent bending gas line.

Note: The gap between supply piping and gas access hole may be caulked with high temperature caulk or stuffed with non-combustible, unfaced insulation to prevent cold air infiltration.




- Ensure that gas line does not come in contact with outer wrap of appliance. Follow local codes.
- Incoming gas line should be piped into the valve compartment and connected to the 1/2 in. connection on the manual shutoff valve.

D. High Altitude Installations





U.L. listed gas appliances are tested and approved without requiring changes for elevations from 0 to 2000 ft in the USA and Canada.




When installing this appliance at an elevation above 2000 ft, it may be necessary to decrease the input rating by changing the existing burner orifice to a smaller size. Input rate should be reduced by 4% for each 1000 ft above a 2000 ft elevation in the U.S.A., or 10% for elevations between 2000 and 4500 ft in Canada. If the heating value of the gas has been reduced, these rules do not apply. To identify the proper orifice size, check with the local gas utility.

If installing this appliance at an elevation above 4500 ft (in Canada), check with local authorities.

 WARNING	
	<p>Fire Risk</p> <p>Explosion Risk</p> <ul style="list-style-type: none"> • Gas build-up during line purge may ignite. • Purge should be performed by qualified technician. • Ensure adequate ventilation. • Ensure there are no ignition sources such as sparks or open flames.
	

- A small amount of air will be in the gas supply lines. When first lighting appliance it will take a short time for air to purge from lines. When purging is complete the appliance will light and operate normally.

 WARNING	
	<p>CHECK FOR GAS LEAKS</p> <p>Fire Risk</p> <p>Explosion Risk</p> <p>Asphyxiation Risk</p> <ul style="list-style-type: none"> • Check all fittings and connections. • Do not use open flame. • After the gas line installation is complete, all connections must be tightened and checked for leaks with a commercially available, non-corrosive leak check solution. Be sure to rinse off all leak check solution following testing. <p>Fittings and connections may have loosened during shipping and handling.</p>
	
	

 WARNING	
	<p>Fire Risk</p> <p>Explosion Risk</p> <p>Do NOT change the valve settings.</p> <ul style="list-style-type: none"> • This valve has been preset at the factory. • Changing valve settings may result in fire hazard or bodily injury.
	

10 Electrical Information



A. Recommendation for Wire

This appliance requires 110-120 VAC to be wired to the junction box either for use of optional accessories (standing pilot ignition) or for proper operation of the appliance (Intellifire ignition).

Open the control access panel to view wiring system and gas valve. If this appliance has a red or black ignitor button this appliance has a standing pilot ignition system. If there is no red or black ignitor button, this appliance has an Intellifire ignition system.

Note: This appliance must be electrically wired and grounded in accordance with local codes or, in the absence of local codes, with **National Electric Code ANSI/NFPA 70-latest edition** or the **Canadian Electric Code CSA C22.1**.

B. Connecting to the Appliance

	WARNING
	Shock Risk Explosion Risk Do NOT wire 110V to valve. Do NOT wire 110V to wall switch • Incorrect wiring will damage millivolt values. • Incorrect wiring will override IPI safety lockout and may cause explosion.

- This appliance may be used with a wall switch, wall mounted thermostat and/or a remote control.
- If using thermostat use one compatible with a millivolt gas valve system.
- Follow parameters for locating thermostat (see individual thermostat instructions) to ensure proper operation of appliance.
- Use low resistance thermostat wire for wiring from ignition system to the wall switch and thermostat.
- Keep wire lengths short as possible by removing any excess wire length.
- Low voltage and 110 VAC voltage cannot be shared within the same wall box.

C. Intellifire Ignition System Wiring

This appliance requires a 110 VAC supply to the appliance junction box for operation. (See Figure 10.1 for a wiring diagram and Figure 10.3 for junction box wiring.)

This appliance is equipped with an Intellifire control valve which operates on a 3 volt system.

This appliance is supplied with a battery pack and a 3 volt AC transformer, which requires the installation of the supplied junction box. It is highly recommended that the junction box be installed at this time to avoid reconstruction.


The battery pack requires two D cell batteries (not included). Batteries cannot be placed in the battery pack while using the 3 volt AC transformer. Conversely, the transformer must be unplugged if the battery pack is used.

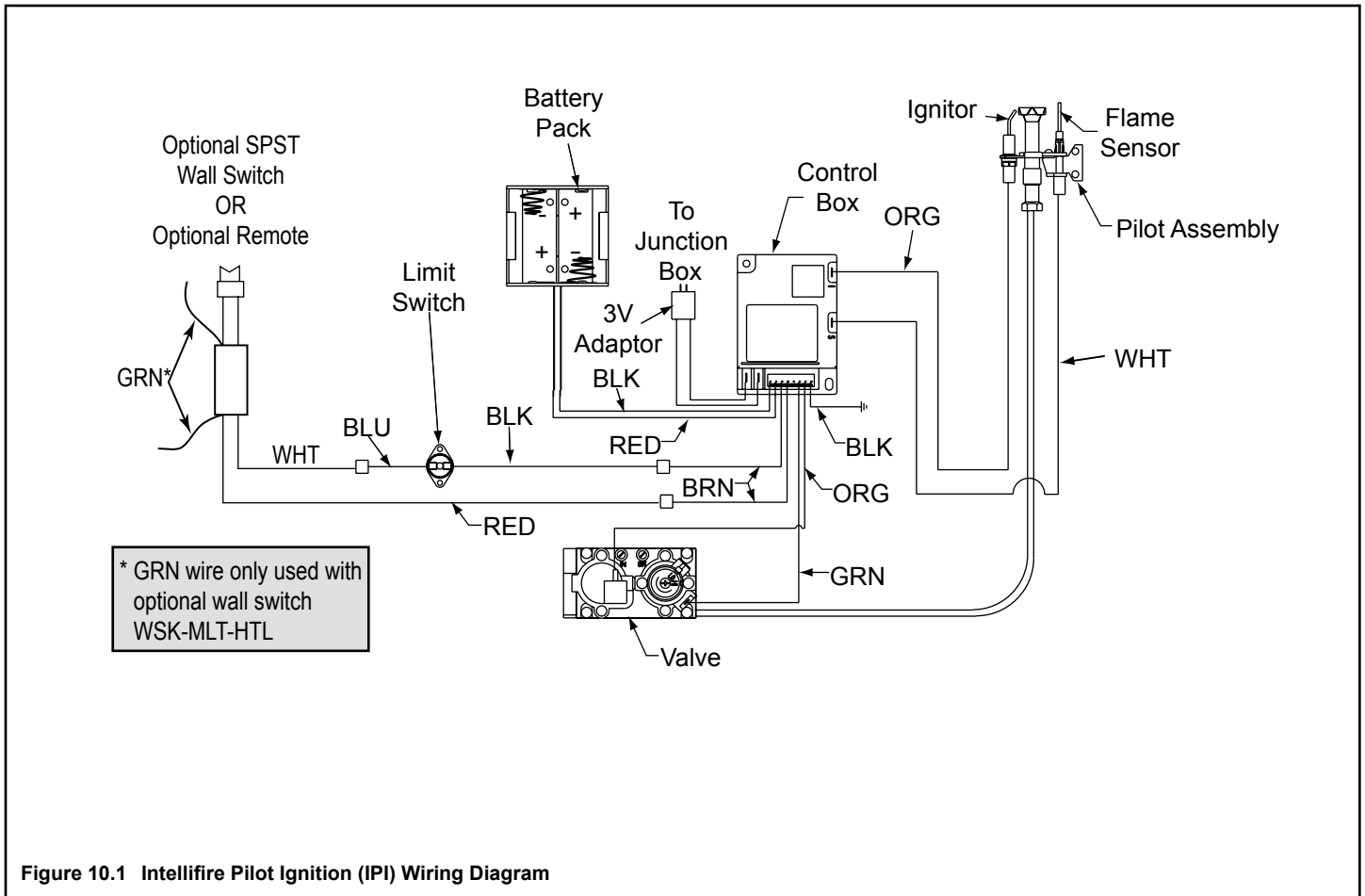
CAUTION
Battery polarity must be correct or module damage will occur.

Optional Accessories Requirements

Wiring for optional accessories should be done now to avoid reconstruction.

CAUTION
Label all wires prior to disconnection when servicing controls. Wiring errors can cause improper and dangerous operation. Verify proper operation after servicing.

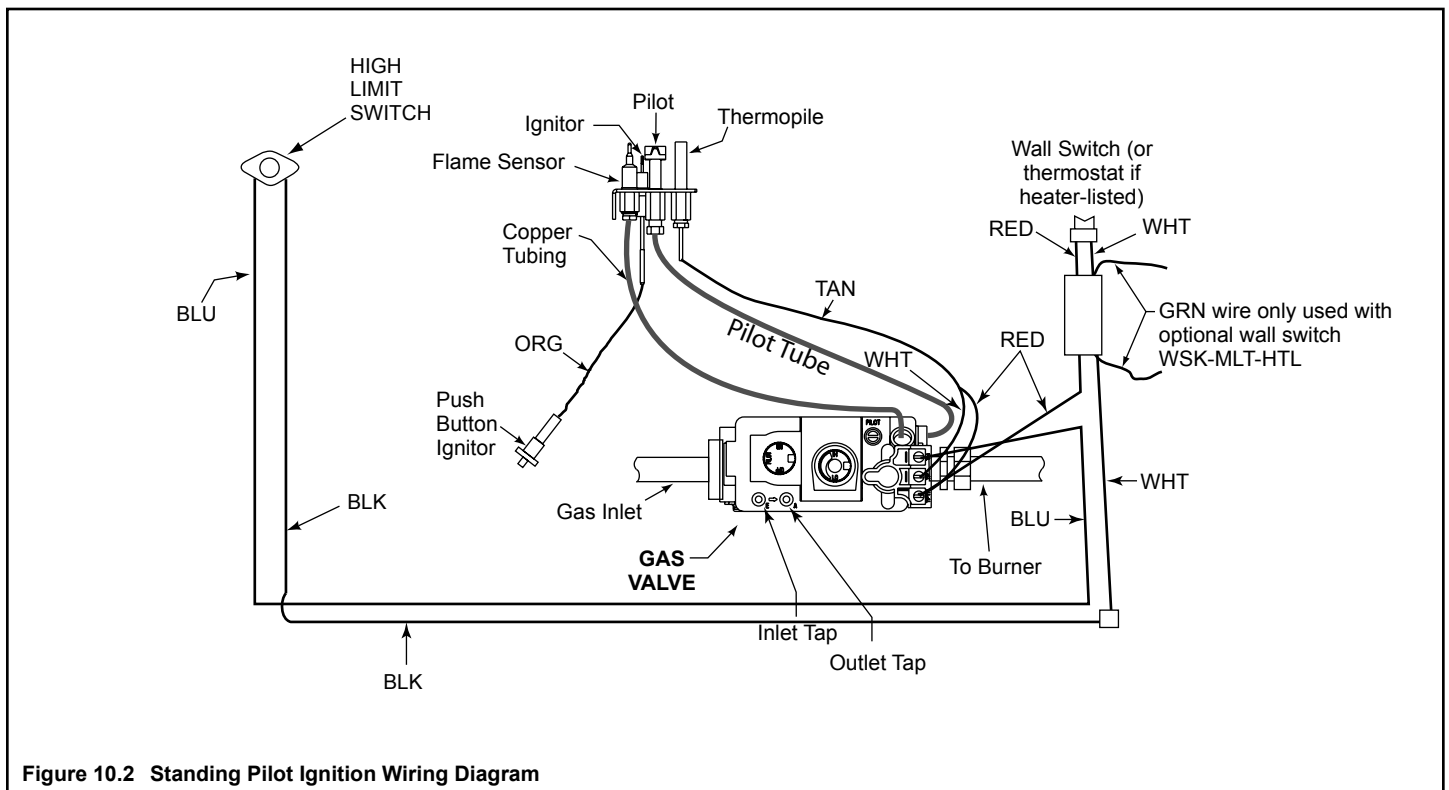
	CAUTION
Shock Risk	<ul style="list-style-type: none">• Replace damaged wire with type 105° C rated wire.• Wire must have high temperature insulation.



D. Standing Pilot Ignition System Wiring

- This standing pilot ignition system wiring does not require a 110 VAC supply to operate.

- It is recommended that a 110 VAC junction box be installed for use with a fan or remote control. (See Figure 10.2 for a wiring diagram and Figure 10.3 for junction box wiring.)



E. Junction Box Installation

If the box is being wired from the **OUTSIDE** of the appliance:

- Remove the cover plate located on the outer shell - right side (see Figure 10.3).
- Install the supplied Romex™ connector in the cover plate.
- Feed the necessary length of wire through the connector.
- Make all necessary wire connections and reattach the cover plate to the outer shell.

If the box is being wired from the **INSIDE** of the appliance:

- Remove the screw attaching the junction box/receptacle to the outer shell, rotate the junction box inward to disengage it from the outer shell (see Figure 10.3).
- Pull the electrical wires from outside the appliance through this opening into the valve compartment.
- Feed the necessary length of wire through the connector.
- Make all necessary wire connections to the junction box/receptacle and reassemble the junction box/receptacle to the outer shell.

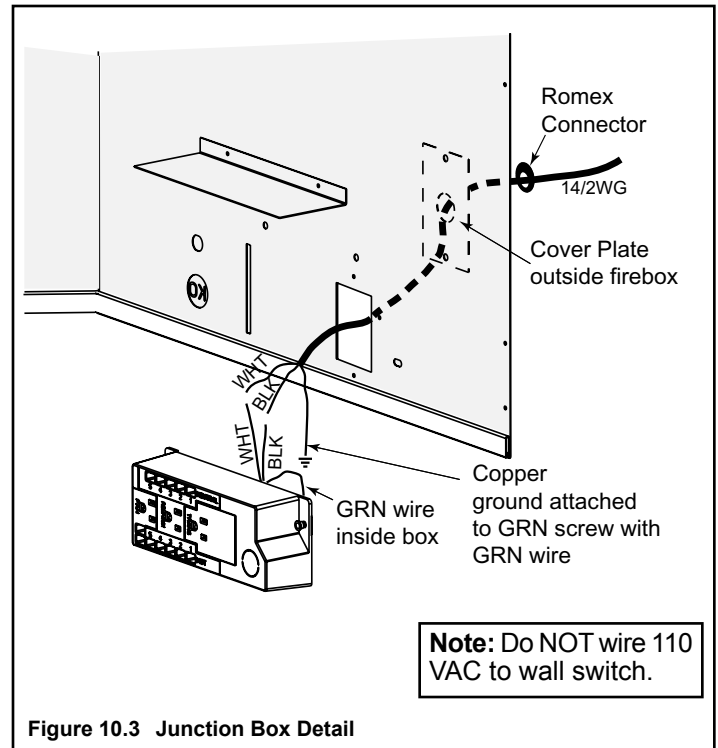


Figure 10.3 Junction Box Detail

F. Wall Switch Installation for Fan (Optional)

If the box is being wired to a wall mounted switch for use with a fan (See Figure 10.4):

- The power supply for the appliance must be brought into a switch box.
- The power can then be supplied from the switch box to the appliance using a minimum of 14-3 with ground wire.
- At the switch box connect the black (hot) wire and red (switch leg) wire to the wall switch as shown.
- At the appliance connect the black (hot), white (neutral) and green (ground) wires to the junction box as shown.
- Add a 1/4 in. insulated female connector to the red (switch leg) wire, route it through the knockout in the face of the junction box, and connect to the top fan switch connector (1/4 in. male) as shown.

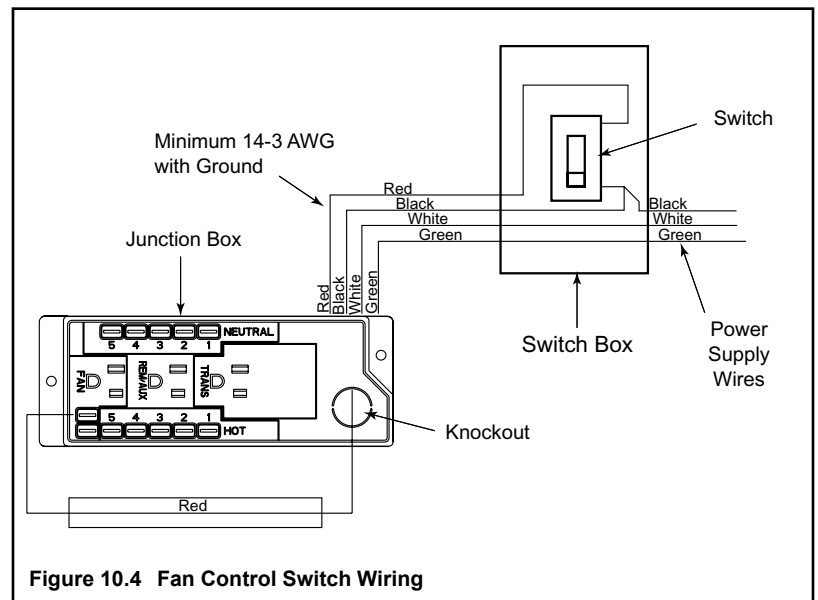


Figure 10.4 Fan Control Switch Wiring

11 Finishing

A. Mantel Projections

Figure 11.1 shows the minimum vertical and corresponding maximum horizontal dimensions of appliance mantels or other combustible projections above the top front edge of the appliance.

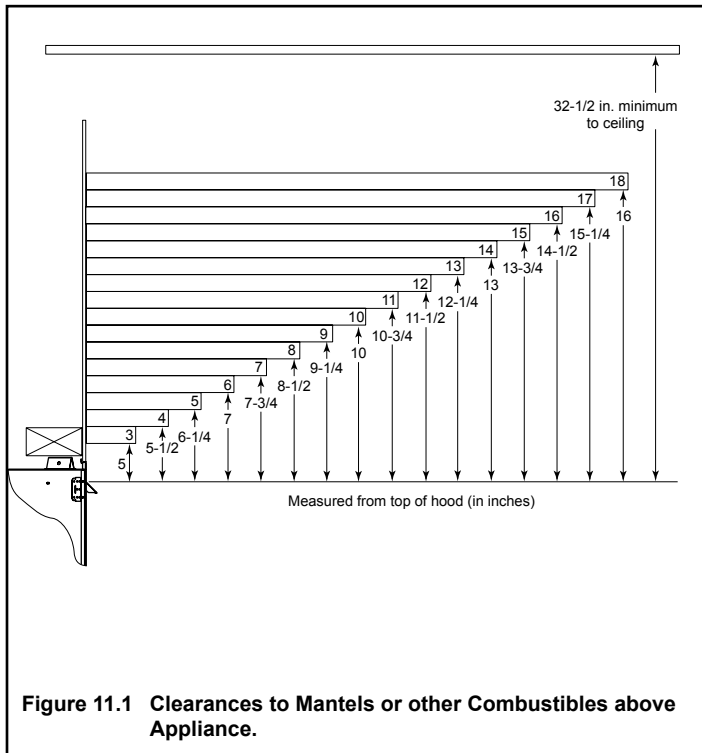


Figure 11.1 Clearances to Mantels or other Combustibles above Appliance.

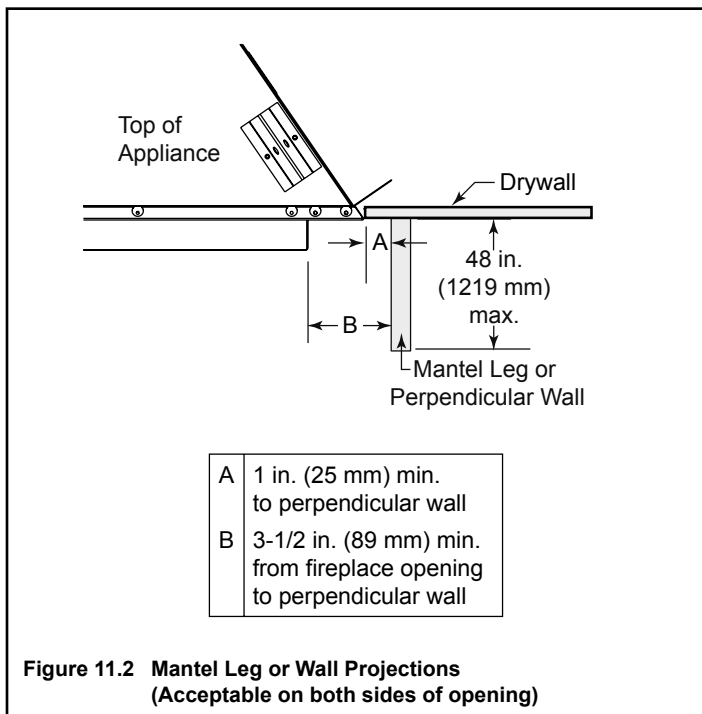


Figure 11.2 Mantel Leg or Wall Projections (Acceptable on both sides of opening)

B. Facing Material

WARNING

Fire Risk

Do NOT obstruct air inlet or outlet grilles.
Do NOT modify grilles.

- Modifying or covering grilles could cause temperature rise and fire hazard.

Finishing materials must not interfere with:

- Air flow through grilles or louvers.
- Operation of louvers or doors.
- Access for service.

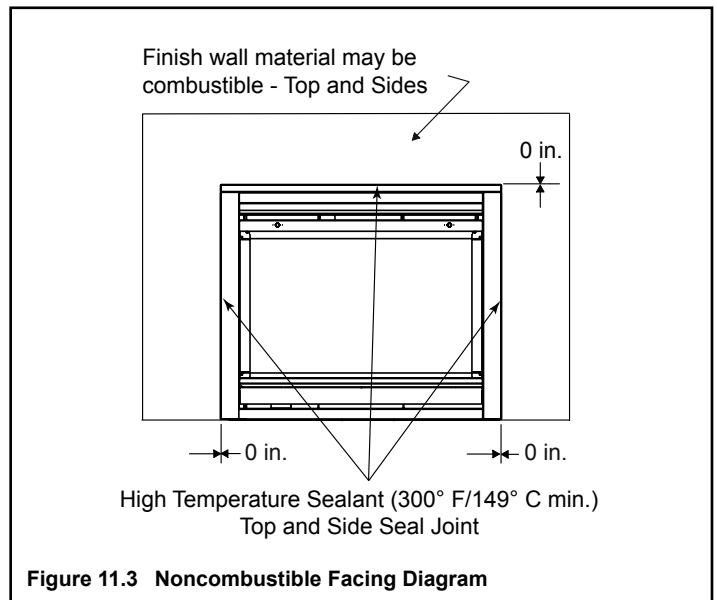


Figure 11.3 Noncombustible Facing Diagram

WARNING

Fire Risk

Finish all edges and fronts to clearances and specifications listed in manual.

- Metal appliance front may be covered with non-combustible material only.
- Do NOT overlap combustible materials onto appliance front.
- Install combustible materials only up to specified clearances on top, front and sides.
- Seal joints between the finished wall and appliance top and sides using only a 300° F minimum sealant.

12 Appliance Setup

A. Remove the Shipping Materials

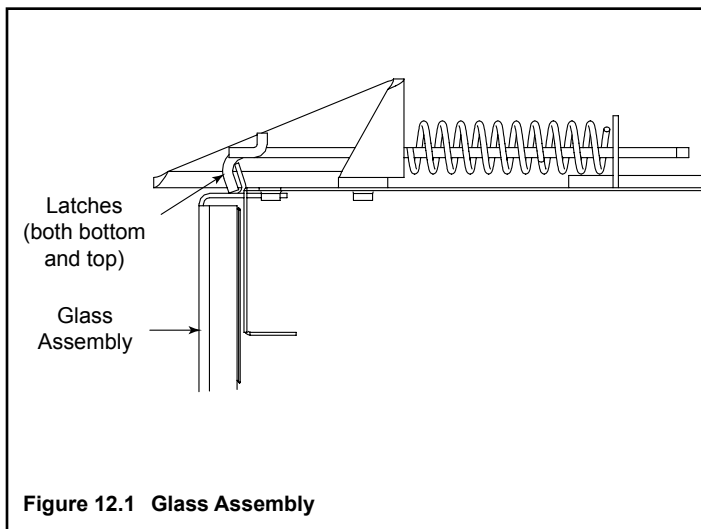
Remove shipping materials from inside or underneath the firebox.

B. Remove the Clean Face Components

Carefully remove skin pack from face of unit. Set aside.

C. Remove Glass Assembly

- Pull the four (30/33/36 in. appliances) or seven (42 in. appliance) glass assembly latches out of the groove on the glass frame. See Figure 12.1.
- Remove the glass panel from the appliance.
- Lay aside out of the way on a non-abrasive surface.



D. Accessories

Install approved accessories per instructions included with accessories. Refer to Section 16 for available optional accessories.



⚠ WARNING


Shock Risk
Fire Risk

Use **ONLY** optional accessories approved for this appliance.

- Using non-listed accessories voids warranty.
- Using non-listed accessories may result in a safety hazard.
- Only Hearth & Home Technologies approved accessories may be used safely.

E. Clean the Appliance

Clean/vacuum any sawdust that may have accumulated inside the firebox or underneath in the control cavity.



⚠ WARNING

Explosion Risk

- Follow rockwool placement instructions in this manual.
- Do **NOT** place rockwool directly over burner ports.
- Replace rockwool material annually.

Improperly placed rockwool interferes with proper burner operation.

F. Lava Rock, Vermiculite, Rockwool Placement

See Figure 12.2 for placement location.

Placing the Rockwool

Rockwool is shipped with this gas appliance. To place the rockwool:

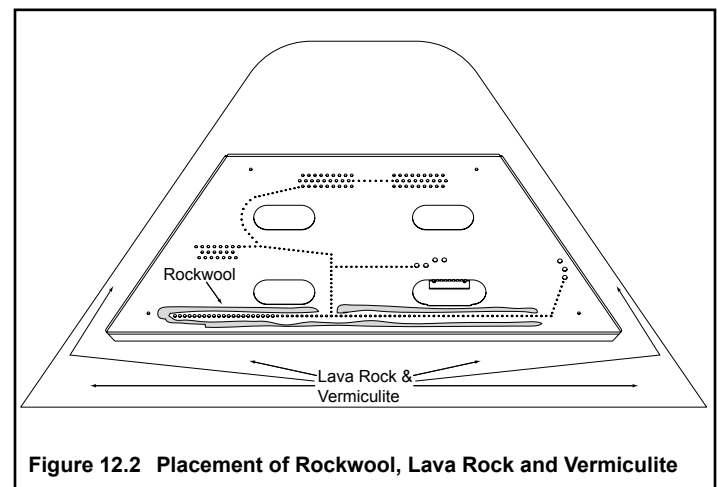
- Place a small amount of 1/2 in. diameter pieces (dime-size) of rockwool on the burner pan so that the rockwool touches but does not cover the holes in the burner pan. This will provide the “glowing embers” look. It is not necessary to use the entire bag. Save the remaining rockwool for future use.

Placing the Lava Rock

- See Figure 12.2.

Placing the Vermiculite

- Sprinkle on top of lava rock.





⚠ WARNING

Handle glass with care.

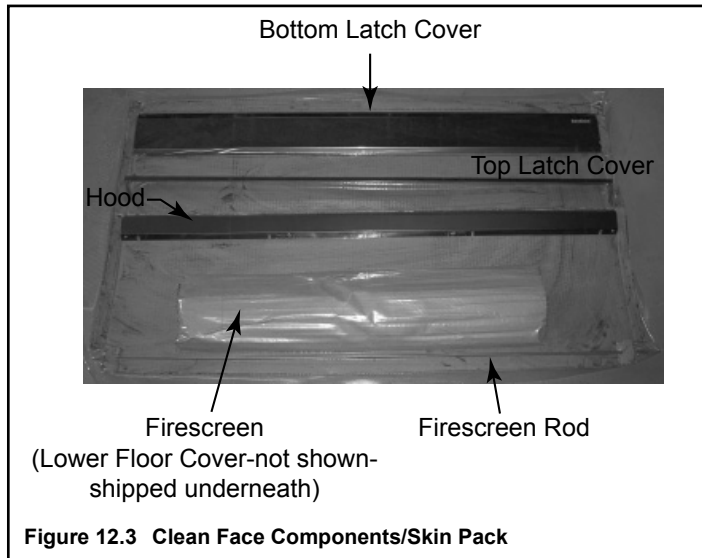
- Inspect the gasket to ensure it is undamaged.
- Inspect the glass for cracks, chips or scratches.
- Do NOT strike, slam or scratch glass.
- Do NOT operate appliance with glass assembly removed, cracked, broken or scratched.
- Replace glass assembly as a complete assembly.

G. Replace Glass Assembly

- Set the glass panel on the lower two or four glass assembly latches, ensuring the glass panel is centered in the opening.
- Pull out and latch all four or seven glass assembly latches into the groove on the glass frame.

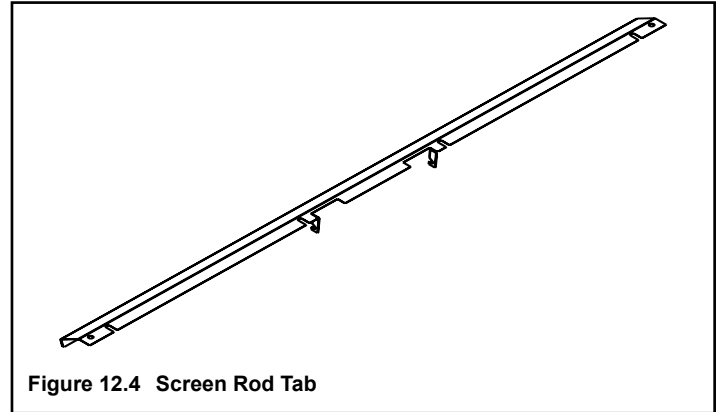
H. Install Clean Face Components

Carefully remove components from skin pack. See Figure 12.3 for identification of components.



Install Hood

- Bend screen rod tabs down at a 90-deg. angle. See Figure 12.4.

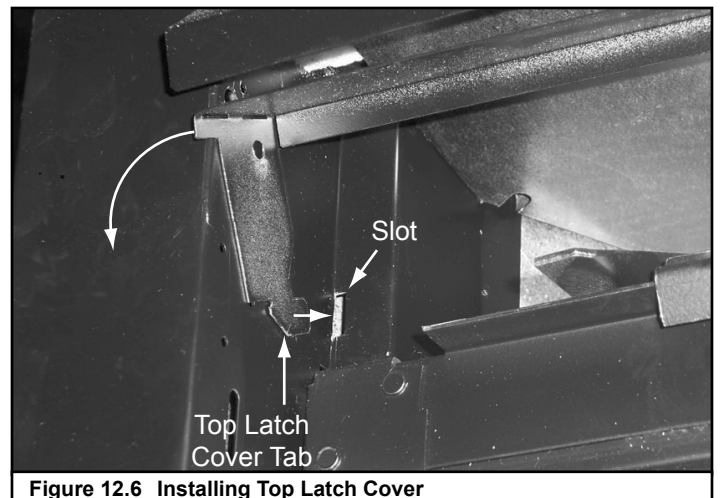


- Install above the glass panel.
- Hood must be attached or a fire hazard may result.
- Locate the four screws just inside the upper section of the appliance.
- Position hood and slide notches over screw heads.
- Tighten the four screws.
- See Figure 12.5.



Install Top Latch Cover

- Insert top latch cover tabs into slots. See Figure 12.6.
- Rotate top latch cover down till the tabs lock in place.



Install Floor Cover

- Install floor cover with brake flange up and towards back of unit. See Figure 12.7. Do not place cover on top of any components. Move components back if necessary.



Figure 12.7 Installing Floor Cover

Install Bottom Latch Cover

- Insert bottom latch cover over existing shoulder screws. See Figure 12.8.
- Push down till the tabs lock in place.

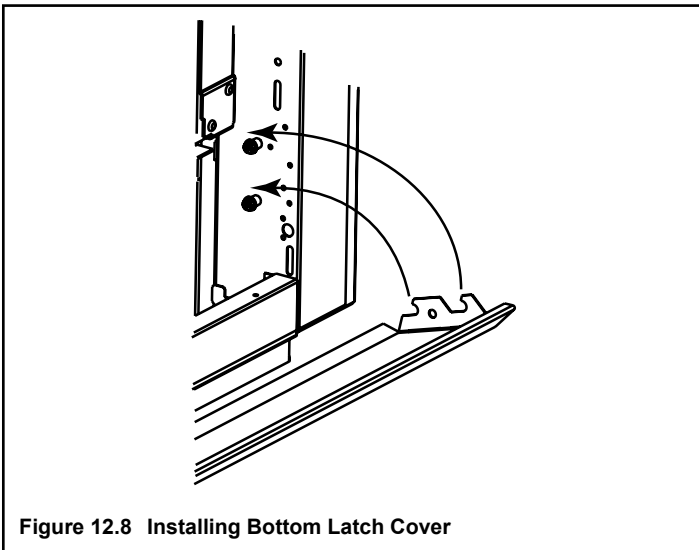


Figure 12.8 Installing Bottom Latch Cover

Install Firescreen Assembly

- Thread screen onto screen rod making sure to thread all screen rings.
- Hold the mesh firescreen in one hand until you get the rod inserted into the side columns to prevent the mesh from falling off the rod.
- Insert one end of screen rod into the hole located in the column as far as it will go. See Figure 12.9

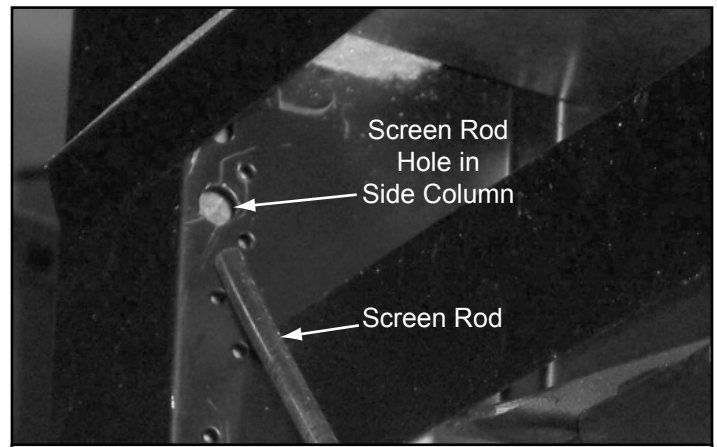





Figure 12.9 Insert Rod Into Side Columns

- Flex the rod and insert it into the hole in the column on the other side.
- Hook the center of the rod into the screen rod tabs (shown in Figure 12.4).
- Spread firescreen to the edges of the firebox opening.
- Hairpin clips are shipped in place in a hole in the bottom of each column. After the screen is in place, squeeze clips and remove from holes. Thread clip through screen (one on each side), squeeze slip and re-insert into holes.

 WARNING	
	HOT! DO NOT TOUCH. SEVERE BURNS MAY RESULT. CLOTHING IGNITION MAY RESULT.
	Glass and other surfaces are hot during operation and cool down.
<ul style="list-style-type: none">• Keep children away.• CAREFULLY SUPERVISE children in same room as appliance.• Alert children and adults to hazards of high temperatures.• To avoid burns or clothing ignition, the mesh must remain closed if children will be present during the operation and cool down of the fireplace.• Mesh supplied from factory clipped shut for child safety.• Do NOT operate with protective barriers removed or door open.• Mesh may be made operable only upon request of a person responsible for the use and operation of the fireplace.• Keep clothing, furniture, draperies and other combustibles away.	

Note: The floor cover in the bottom front of the fireplace may be covering the UL labels. It is loose and can be removed/replaced.

I. Air Shutter Setting

This appliance has an adjustable air shutter (which controls the primary air) factory set for the minimum vertical vent run (see Figure 12.10). If your installation has more than the minimum required vertical vent length, adjustment of the air shutter may be necessary to obtain optimal flame appearance. **This should be adjusted by a qualified installer at the time of installation.**

- If the vent configuration is installed incorrectly, the vent may cause the flames inside the appliance to lift or “ghost,” which is a dangerous situation. Inspect the flames after installation to ensure proper performance. If the vent configuration is correct, yet the flames are lifting or ghosting, shut off the gas to the appliance and contact the dealer.
- Your air shutter is provided at 1/8 in. open for natural gas, 3/8 in. open for propane (30 in./33 in. appliances), and full open for 36 in. and 42 in. propane appliances. In the event soot is accumulating in your appliance, the air shutter should be opened farther. This can be done by opening the control access panel and locating the two wing studs and two wing nuts attaching the valve assembly to the firebox. Remove the wing nuts and wing studs, slide the valve assembly to the left and lower. Rotate the valve assembly horizontally and remove from underneath the appliance. See Figure 12.11.

Note: To avoid damage to the pilot assembly, remove the valve assembly pilot side first. If the valve assembly gasket is damaged, it should be replaced.

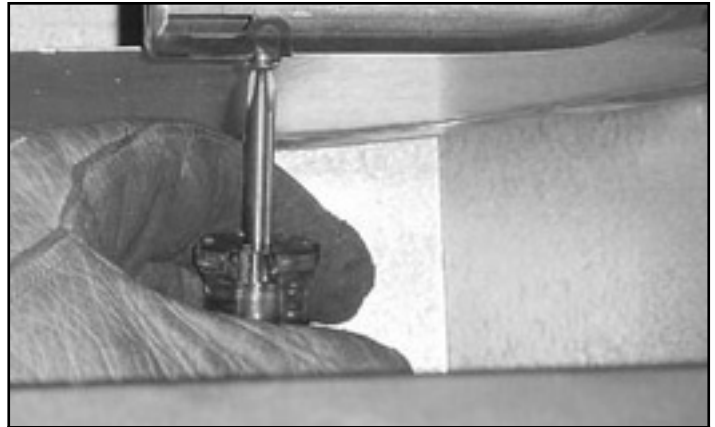


Figure 12.10 Air Shutter

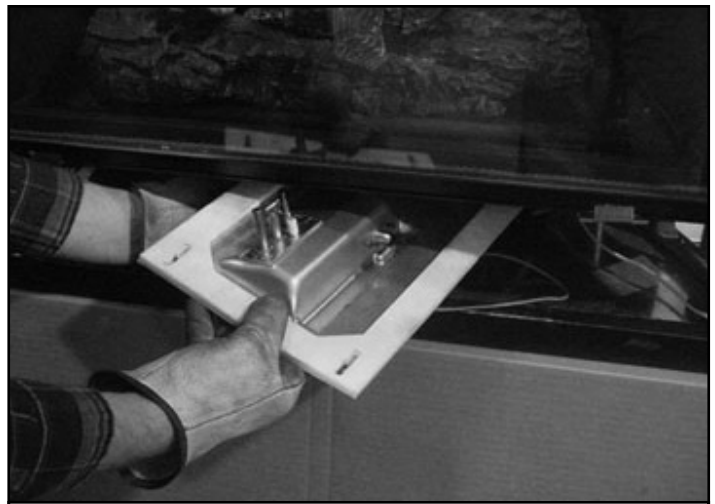


Figure 12.11 Valve Assembly

- Locate the air shutter mounted on the end of the main burner. Loosen the locking screw, open the air shutter, and retighten the locking screw. See Figure 12.10.
- Replace the valve assembly, wing nuts and wing studs as removed, making sure to line the orifice up with the main burner neck.

13 Operating Instructions

A. Before Lighting Appliance

Before lighting this appliance, determine if it has a standing pilot or Intellifire ignition system by opening the control access panel to view wiring system and gas valve. If this appliance has a red or black ignitor button (See Figure 10.1) this appliance has a standing pilot ignition system. If there is no red or black ignitor button, this appliance has an Intellifire ignition system.

CAUTION

If installing Intellifire Ignition battery backup:

- Do not install batteries if the backup mode may not be used for extended time.
- Batteries may leak.
- Install batteries only when needed for power outage.

Before operating this appliance, have a qualified technician:

- Remove all shipping materials from inside and/or underneath the firebox.
- Review proper placement of logs, rockwool, lava rock and vermiculite.
- Check the wiring.
- Check the air shutter adjustment.
- Ensure that there are no gas leaks.
- Ensure that the glass is sealed and in the proper position.
- Ensure that the flow of combustion and ventilation air is not obstructed (front grilles and vent caps).



WARNING

Fire Risk Combustion Fumes Risk

Glass door **MUST** be in place when appliance is operating.

Do NOT operate appliance with glass door removed.

- Open viewing glass for servicing only.
- Glass door **MUST** be in place and sealed before operating appliance.
- Only use glass doors certified for use with the appliance.
- Glass replacement should be done by qualified technician.



WARNING

Do NOT use this appliance if any part has been under water. Immediately call a qualified service technician to inspect the appliance and to replace any part of the control system and any gas control which has been under water.

WARNING



HOT SURFACES!

Glass and other surfaces are hot during operation and cool down.

Hot glass will cause burns.

- Do not touch glass until it is cooled
 - NEVER allow children to touch glass
 - Keep children away
- CAREFULLY SUPERVISE children in same room as appliance.
 - Alert children and adults to hazards of high temperatures.
- High temperatures may ignite clothing or other flammable materials.**
- Keep clothing, furniture, draperies and other combustibles away.

This appliance has been supplied with an integral barrier to prevent direct contact with the fixed glass panel. Do NOT operate the appliance with the barrier removed.

Contact your dealer or Hearth & Home Technologies if the barrier is not present or help is needed to properly install one.

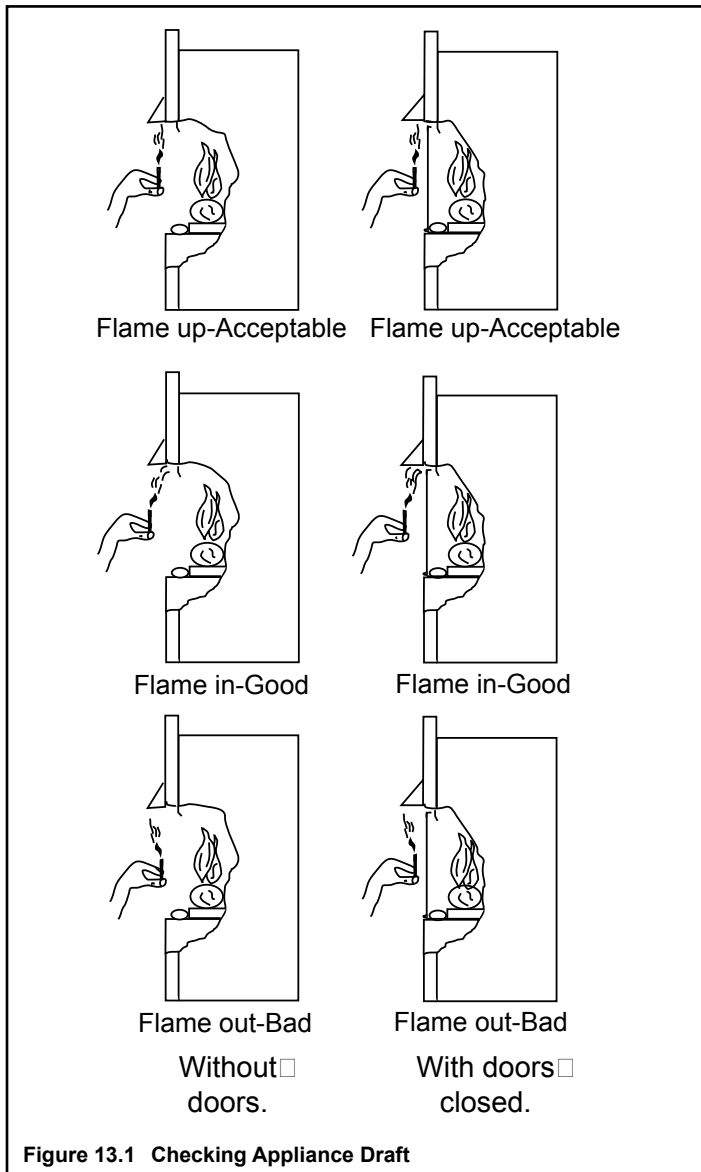
WARNING

Improper installation, adjustment, alteration, service or maintenance can cause injury or property damage. Refer to the owner's information manual provided with this appliance. For assistance or additional information consult a qualified installer, service agency or the gas supplier.

B. Check Appliance Draft

Check draft of appliance to verify proper venting conditions.

- Close all windows and doors, turn on all exhaust fans in home.
- Appliance is to be completely assembled to normal operating condition.
- Turn on appliance and allow to operate for at least 10 minutes.
- Check draft as shown in Figure 13.1. This can be done using a smoke or flame producing match.
- Hold lit match at bottom edge of draft hood opening and observe flame/smoke per the figure.



C. Lighting the Appliance

Intellifire Ignition

FOR YOUR SAFETY READ BEFORE LIGHTING

WARNING: If you do not follow these instructions exactly, a fire or explosion may result causing property damage, personal injury or loss of life.

- A. This appliance is equipped with an ignition device which automatically lights the pilot. Do not try to light the pilot by hand.
- B. BEFORE LIGHTING smell all around the appliance area for gas. Be sure to smell next to the floor because some gas is heavier than air and will settle on the floor.
- WHAT TO DO IF YOU SMELL GAS**
- Do not try to light any appliance.
 - Do not touch any electric switch; do not use any phone in your building.
 - Immediately call your gas supplier from a neighbor's phone. Follow the gas supplier's instructions.
- C. Use only your hand to push in and move the gas control valve or turn the gas control knob. Never use tools. If the lever or knob will not move by hand, don't try to repair it, call a qualified service technician. Force or attempted repair may result in a fire or explosion.
- D. Do not use this appliance if any part has been under water. Immediately call a qualified service technician to inspect the appliance and to replace any part of the control system and any gas control which has been under water.
- If you cannot reach your gas supplier, call the fire department.

LIGHTING INSTRUCTIONS

1. STOP! Read the safety information above on this label.
2. Turn wall switch to the "OFF" position or thermostat to the lowest setting.
3. Turn off all electric power to the appliance.
4. This appliance is equipped with an ignition device which automatically lights the pilot. Do NOT try to light the pilot by hand.
5. Wait five minutes to clear out any gas. If you then smell gas, STOP! Follow "B" in the safety information above on this label. If you don't smell gas, go to the next step.
6. To turn on the burner, turn on all electric power to this appliance and turn on the wall switch or set the thermostat to the desired setting.
7. If the appliance will not operate, follow the instructions "TO TURN OFF GAS TO APPLIANCE" and call your service technician or gas supplier.

TO TURN OFF GAS TO APPLIANCE

1. Turn off wall switch or set thermostat to lowest setting.
2. Turn off all electric power to the appliance if service is to be performed.
3. Push the gas control lever in and move to the "OFF" position or push the gas control lever to the "OFF" position. Do not force.
4. Replace the control access panel.

Due to high surface temperatures, keep children, clothing and furniture away.
Keep burner and control compartment clean. See installation and operating instructions accompanying the appliance.

33631D

This appliance needs fresh air for safe operation and must be installed so there are provisions for adequate combustion and ventilation air.

This appliance must be installed in accordance with local codes, if any; if not, follow ANSI Z223.1 or, in Canada, current CAN/CGA-B149.

This appliance must be properly connected to a venting system in accordance with the manufacturer's installation instructions.

WARNING: Improper installation, adjustment, alteration, service or maintenance can cause injury or property damage. Refer to the owner's information manual provided with the appliance. For assistance or additional information consult a qualified installer, service agency or the gas supplier.

CAUTION: Hot while in operation. Do not touch. Keep children, clothing, furniture, gasoline and other liquids having flammable vapors away.

WARNING RISK OF FIRE

This appliance is intended to burn a specified gas fuel only. Do not attempt to use with solid wood fuel or another type of fuel. Do not attempt to modify or use any other type of gas burner system.

WARNING: Disconnect the electric power before servicing. If for any reason the original wire supplied with the appliance must be replaced, it must be replaced with 105° C or its equivalent.

For use with natural gas or propane. A conversion kit as supplied by the manufacturer shall be used to convert this appliance to the alternative fuel.

- * Also certified for installation in a bedroom or a bed-sitting room.
- * For U.S. only!

NATURAL GAS

FOR YOUR SAFETY READ BEFORE LIGHTING

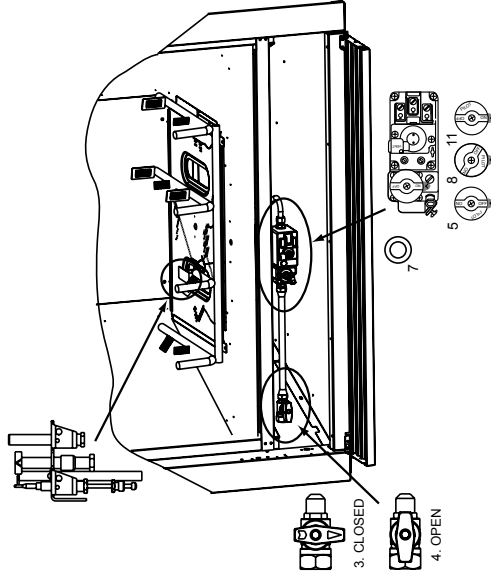
WARNING: If you do not follow these instructions exactly, a fire or explosion may result causing property damage, personal injury or loss of life.

- A. This appliance has a pilot which must be lighted by hand. When lighting the pilot, follow these instructions exactly.
- B. **BEFORE LIGHTING** smell all around the appliance area for gas. Be sure to smell next to the floor because some gas is heavier than air and will settle on the floor.
WHAT TO DO IF YOU SMELL GAS
 - Do not try to light any appliance.
 - Do not touch any electric switch, do not use any phone in your building.
 - Immediately call your gas supplier from a neighbor's phone. Follow the gas supplier's instructions.
- C. If you cannot reach your gas supplier, call the fire department.
- D. Use only your hand to push in or turn knob. Never use tools. If the manual gas valve will not push in or turn by hand, don't try to repair it; call a qualified service technician. Force or attempted repair may result in a fire or explosion.
- E. Do not use this appliance if any part has been under water. Immediately call a qualified service technician to inspect the appliance and to replace any part of the control system and any gas control which has been under water.

LIGHTING INSTRUCTIONS

Stop! Read the safety information above on this label.

1. Turn wall switch to the "OFF" position or thermostat to the lowest setting.
2. Remove control access panel.
3. Turn manual gas valve to **CLOSED**. Wait five [5] minutes to clear out any gas. If you then smell gas, **STOP!** Follow "B" in the safety information above on this label. If you don't smell gas, go to next step.
4. Turn gas line to "OPEN"
5. Turn pilot knob clockwise to "OFF". (Knob may have to be depressed to pass "PILOT" position.)
6. Locate pilot assembly inside appliance.
7. Locate red ignitor button.
8. Turn pilot knob to "PILOT" and push in.
9. Continue to hold in pilot knob and push the red ignitor button 12-15 times until small blue pilot flame appears.
10. Continue to hold in pilot knob for approximately one minute. Pilot should remain lit. If pilot goes out, wait 5 minutes and repeat Steps 3-9.
11. Release and turn knob counterclockwise to "ON"
12. If appliance will not operate, follow the instructions "TO TURN OFF GAS TO APPLIANCE" and call your service technician or gas supplier.



TO TURN OFF GAS TO APPLIANCE

1. Turn off wall switch or set thermostat to lowest setting.
2. Remove control access panel.
3. Turn manual gas valve to "CLOSED" position. Do not force.
4. Replace control access panel.

Due to high surface temperatures, keep children, clothing and furniture away. Keep burner and control compartment clean. See installation and operating instructions accompanying the appliance.

29097D

This appliance needs fresh air for safe operation and must be installed so there are provisions for adequate combustion and ventilation air.

This appliance must be installed in accordance with local codes, if any; if not, follow ANSI Z223.1 or, in Canada, current CAN/CGA-B149.

This appliance must be properly connected to a venting system in accordance with the manufacturer's installation instructions.

WARNING: Improper installation, adjustment, alteration, service or maintenance can cause injury or property damage. Refer to the owner's information manual provided with the appliance. For assistance or additional information consult a qualified installer, service agency or the gas supplier.

CAUTION: Hot while in operation. Do not touch. Keep children, clothing, furniture, gasoline and other liquids having flammable vapors away.

WARNING RISK OF FIRE
This appliance is intended to burn a specified gas fuel only. Do not attempt to use with solid wood fuel or another type of fuel. Do not attempt to modify or use any other type of gas burner system.

WARNING: Disconnect the electric power before servicing. If for any reason the original wire supplied with the appliance must be replaced, it must be replaced with 105°C or its equivalent.

For use with natural gas or propane. A conversion kit as supplied by the manufacturer shall be used to convert this appliance to the alternative fuel.

* Also certified for installation in a bedroom or a bed-sitting room.
* For U.S. only!

NATURAL GAS


D. After the Appliance is Lit


Initial Break-in Procedure

When you light the appliance, you may notice that it produces heat which does have an associated odor or smell. If you feel this odor is excessive it may require the initial three to four hour continuous burn on high followed by a second burn up to 12 hours to fully drive off any odor from paint and lubricants used in the manufacturing process. Condensation of the glass is normal

Note: This appliance should be run three to four hours on the initial start-up. Turn it off and let it cool completely. Remove and clean the glass. Replace the glass and run the appliance for an additional 12 hours. This will help cure the products used in the paint and logs.

During this break-in period it is recommended that some windows in the house be opened for air circulation. This will help avoid setting off smoke detectors, and help eliminate any odors associated with the appliance's initial burning.





WARNING

Fire Risk
High Temperatures
 Keep combustible household items away from appliance.
 Do NOT obstruct combustion and ventilation air.

- Do NOT place combustible items on top of or in front of appliance.
- Keep furniture, draperies away from appliance.

CAUTION


- Prevent accidental appliance operation when not attended.
- Unplug or remove batteries from remote control if absent or if appliance will not be used for an extended period of time.
- Property damage possible from elevated temperatures.


CAUTION

Smoke and odors are released during initial operation.

- Open windows for air circulation.
- Leave room during initial operation.
- Smoke may set off smoke detectors.

Smoke and odors may be irritating to sensitive individuals.





WARNING

Fire Risk
 Keep combustible materials, gasoline and other flammable vapors and liquids clear of appliance.

- Do NOT store flammable materials in the vicinity of the appliance.
- Do NOT use gasoline, lantern fuel, kerosene, charcoal lighter fluid or similar liquids in this appliance.

Combustible materials may ignite.

E. Frequently Asked Questions

Issue	Solutions
Condensation on the glass	This is a result of gas combustion and temperature variations. As the appliance warms, this condensation will disappear.
Blue flames	This is a result of normal operation and the flames will begin to yellow as the appliance is allowed to burn for 20 to 40 minutes.
Odor from appliance	When first operated, this appliance may release an odor for the first several hours. This is caused by the curing of the paint and the burning off of any oils remaining from manufacturing.
Film on the glass	This is a normal result of the curing process of the paint and logs. Glass should be cleaned within 3 to 4 hours of initial burning to remove deposits left by oils from the manufacturing process. A non-abrasive cleaner such as gas fireplace glass cleaner may be necessary. See your dealer.
Metallic noise	Noise is caused by metal expanding and contracting as it heats up and cools down, similar to the sound produced by a furnace or heating duct. This noise does not affect the operation or longevity of the fireplace.
Is it normal to see the pilot flame burn continually?	In an Intellifire ignition system it is normal to see the pilot flame, but it should turn off when ON/OFF is turned off. In a standing pilot system the pilot will always stay on.

14 Troubleshooting

With proper installation, operation and maintenance your gas appliance will provide years of trouble-free service. If you do experience a problem, this troubleshooting guide will assist a qualified service person in the diagnosis of a problem and the corrective action to be taken. This troubleshooting guide can only be used by a qualified service technician.

A. Standing Pilot Ignition System

Symptom		Possible Causes		Corrective Actions
1.	After repeated triggering of the red or black piezo ignitor button, the spark ignitor will not light the pilot.	A.	Defective ignitor.	Check the spark at the electrode and pilot. If there is no spark and the electrode wire is properly connected, replace the ignitor.
		B.	Defective pilot or misaligned electrode (spark at electrode).	Using a match, light the pilot. If the pilot lights, turn off the pilot and trigger the red or black piezo ignitor button again. If the pilot lights, an improper gas/air mixture caused the bad lighting and a longer purge period is recommended. If the pilot will not light, ensure the gap at the electrode and pilot is 1/8 in. to have a strong spark. If the gap is OK, replace the pilot.
		C.	No gas or low gas pressure.	Check the remote shut-off valves from the appliance. There is usually a valve near the gas main. There can be more than one valve between the appliance and the main.
		D.	No LP in tank.	Check the LP (propane) tank. You may be out of fuel.
2.	The pilot will not stay lit after carefully following the lighting instructions	A.	Defective thermocouple.	Check that the pilot flame impinges on the thermocouple. Clean and/or adjust the pilot for maximum flame impingement. Ensure that the thermocouple connection at the gas valve is fully inserted and tight (hand tighten plus 1/4 turn). Disconnect the thermocouple from the valve, place one millivolt meter lead wire on the tip of the thermocouple and the other meter lead wire on the thermocouple copper lead. Start the pilot and hold the valve knob in. If the millivolt reading is less than 15mV, replace the thermocouple.
		B.	Defective valve.	If the thermocouple is producing more than 15 millivolts, replace faulty valve.
3.	The pilot is burning, there is no gas burning, the valve knob is in the ON position, and the ON/OFF switch is in the ON position.	A.	ON/OFF switch or wires are defective.	Check the ON/OFF switch and wires for proper connections. Place the jumper wires across the terminals at the switch. If the burner comes on, replace the defective switch. If the switch is OK, place the jumper wires across the switch wires at the gas valve. If the burner comes on, the wires are faulty or connections are bad.
		B.	Thermopile may not be generating sufficient millivoltage.	If the pilot flame is not close enough physically to the thermopile, adjust the pilot flame. Be sure the wire connections from the thermopile at the gas valve terminals are tight and that the thermopile is fully inserted into the pilot bracket. Check the thermopile with a millivolt meter. Take the reading at TH-TP&TP terminals of the gas valve. The meter should read 325 millivolts minimum while holding the valve knob depressed in the pilot position, with the pilot lit, and the ON/OFF switch in the OFF position. Replace the faulty thermopile if the reading is below the specified minimum. With the pilot in the ON position, disconnect the thermopile leads from the valve. Take a reading at the thermopile leads. The reading should be 325 millivolts minimum. Replace the thermopile if the reading is below the minimum.
		C.	Defective valve.	Turn the valve knob to the ON position. Place the ON/OFF switch in the ON position. Check the millivolt meter at the thermopile terminals. The millivolt meter should read greater than 125mV. If the reading is acceptable, and if the burner does not come on, replace the gas valve.
		D.	Plugged burner orifice.	Check the burner orifice for stoppage. Remove stoppage.
		E.	Wall switch or wires are defective.	Follow the corrective action in Symptom and Possible Cause 1.A. above. Check the switch and wiring. Replace where defective.

Symptom		Possible Causes		Corrective Actions
4.	Frequent pilot outage problem.	A.	Pilot flame may be too high, too low, or blowing (high), causing pilot safety to drop out.	Clean and adjust the pilot flame for maximum flame impingement on thermocouple. Follow lighting instructions carefully.
5.	The pilot and main burner extinguish while in operation.	A.	No LP in the tank.	Check the LP (propane) tank. Refill the fuel tank.
		B.	Inner vent pipe is leaking exhaust gases back into the system.	Check venting system for damage. Replace/repair improperly assembled pipe sections.
		C.	Glass is too loose and air tight packet leaks in corners after usage.	Replace glass panel assembly.
		D.	Bad thermopile or thermocouple.	Replace if necessary.
		E.	Improper vent cap installation.	Check for proper installation and freedom from debris or blockage.
6.	Glass soots.	A.	Flame impingement.	Adjust the log set so that the flame does not excessively impinge on it.
		B.	Improper air shutter setting.	Adjust the air shutter located on the control panel.
		C.	Debris around air shutter.	Inspect the opening at the base of the burner. NO MATERIAL SHOULD BE PLACED IN THIS OPENING.
7.	Flame burns blue and lifts off burner.	A.	Insufficient oxygen being supplied.	Ensure that the vent cap is installed properly and free of debris. Ensure that the vent system joints are tight and have no leaks. Ensure that no debris has been placed at the base of, or in the area of the air holes in the center of, the base pan beneath the burner. Ensure that the glass is tightened properly on the appliance, particularly on top corners.

B. Intellifire Ignition System

Symptom		Possible Causes		Corrective Actions
1.	The ignitor/module makes noise, but no spark.	A.	Incorrect wiring.	Verify "S" wire (white) for sensor and "I" wire (orange) for ignitor are connected to the correct terminals on the module and the pilot assembly. Reversed wires at the module may cause the system to make a sparking noise, but the spark may not be present at pilot hood.
		B.	Loose connections or electrical shorts in the wiring.	Verify there are no loose connections or electrical shorts in wiring from module to pilot assembly. The rod closest to the pilot hood should be ignitor. Verify connections underneath pilot assembly are tight; also verify the connections are not grounding out to the metal chassis, pilot burner, pilot enclosure, mesh screen if present, or any other metal object.
		C.	Ignitor gap is too large.	Verify gap of ignitor to pilot hood. The gap should be approximately .17 in. or 1/8 in.
		D.	Faulty module.	Turn ON/OFF rocker switch or wall switch to OFF position. Remove ignitor wire "I" from module. Place ON/OFF rocker switch or wall switch in ON position. Hold ground wire about 3/16 in. away from "I" terminal on module. If there is no spark at "I" terminal, module must be replaced. If there is a spark at "I" terminal, module is fine. Inspect pilot assembly for shorted sparker wire or cracked insulator around electrode.
2.	Pilots won't light, there is no noise or spark.	A.	Transformer installed incorrectly.	Verify that transformer is installed and plugged into module. Check voltage of transformer under load at space connection on module with ON/OFF switch in ON position. Acceptable readings of a good transformer are between 3.2 and 2.8 volts AC.
		B.	A shorted or loose connection in wiring configuration or wiring harness.	Remove and reinstall the wiring harness that plugs into module. Verify there is a tight fit. Verify pilot assembly wiring to module. Remove and verify continuity of each wire in wiring harness.
		C.	Improper wall switch wiring.	Verify wall switch is wired correctly.
		D.	Module not grounded.	Verify black ground wire from module wire harness is grounded to metal chassis of appliance.
		E.	Faulty module.	Turn ON/OFF rocker switch or wall switch to OFF position. Remove ignitor wire "I" from module. Place ON/OFF rocker switch or wall switch in ON position. Hold ground wire about 3/16 in. away from "I" terminal on module. If there is no spark at "I" terminal module must be replaced. If there is a spark at "I" terminal, module is fine. Inspect pilot assembly for shorted sparker wire or cracked insulator around electrode.
3.	Pilot lights but continues to spark, and main burner will not ignite. (If the pilot continues to spark after the pilot flame has been lit, flame rectification has not occurred.)	A.	A shorted or loose connection in sensor rod.	Verify all connections to wiring diagram in manual. Verify connections underneath pilot assembly are tight. Verify connections are not grounding out to metal chassis, pilot burner, pilot enclosure or screen if present, or any other metal object.
		B.	Poor flame rectification or contaminated sensor rod.	Verify flame is engulfing sensor rod. If the pilot assembly does not have a ground strap, consider installing one to increase flame rectification. Verify correct pilot orifice is installed and inlet gas specifications are met. Flame carries rectification current, not the gas. If flame lifts from pilot hood, the circuit is broken. A wrong orifice or too high an inlet pressure can cause pilot flame to lift. The sensor rod may be contaminated. Clean sensor rod with emery cloth.
		C.	Module is not grounded.	Verify that module is securely grounded to metal chassis of appliance. Verify that the wire harness is firmly connected to module.
		D.	Damaged pilot assembly or dirty sensor rod.	Verify that ceramic insulator around the sensor rod is not cracked, damaged, or loose. Verify connection from sensor rod to white sensor wire. Clean sensor rod with emery cloth to remove any contaminants that may have accumulated on sensor rod. Verify continuity with a multimeter with ohms set at lowest range.
		E.	Faulty module.	Turn ON/OFF rocker switch or wall switch to OFF position. Remove ignitor wire "I" from module. Place ON/OFF rocker switch or wall switch in ON position. Hold ground wire about 3/16 in. away from "I" terminal on module. If there is no spark at "I" terminal, module must be replaced. If there is a spark at "I" terminal, module is fine. Inspect pilot assembly for shorted sparker wire or cracked insulator around electrode.

Symptom		Possible Causes		Corrective Actions
4.	Pilot sparks, but pilot will not light.	A.	Correct gas supply.	Verify that incoming gas line ball valve is "open". Verify that inlet pressure reading is within acceptable limits, inlet pressure must not exceed 14 in. w.c.
		B.	Ignitor gap is too large.	
		C.	Module is not grounded.	Verify module is securely grounded to metal chassis of appliance.
		D.	Module voltage output/valve/pilot solenoid ohms readings.	Replace module.

15 Maintaining and Servicing the Appliance

Although the frequency of appliance servicing and maintenance will depend on use and the type of installation, a qualified service technician should perform an appliance check-up at the beginning of each heating season.

WARNING

Risk of injury or property damage

Before servicing:

- Turn off gas.
- Turn off electricity to appliance.
- Disable remote control, if one is present.
- Ensure appliance is completely cooled.

After Servicing:

- Replace any screen or barrier that was removed.
- Reseal and reinstall any venting removed for servicing.

WARNING



Annual inspection by qualified technician recommended.

Check:

- Condition of doors, surrounds and fronts.
- Condition of glass, glass assembly and glass seal.
- Obstructions of combustion and ventilation air.
- Condition of logs.
- Condition of firebox.
- Burner ignition and operation.
- Burner air shutter adjustment.
- Gas connections and fittings.
- Obstructions of termination cap.

Clean:

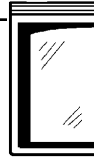
- Glass.
- Air passageways, grilles, control compartment.
- Burner, burner ports.

Risk of:

- Fire
- Delayed ignition or explosion
- Exposure to combustion fumes
- Odors



CAUTION



Handle glass assembly with care.

Note: Clean glass after initial 3-4 hours operation. **Longer operation without cleaning glass may cause a permanent white film on glass.**

When cleaning glass door:

- Avoid striking, scratching or slamming doors.
- Do NOT use abrasive cleaners.
- Use a hard water deposit glass cleaner on white film.
- Do NOT clean glass when it is hot.
- Turn off appliance after 3-4 hours of operation and ALLOW TO COOL.
- Remove and clean glass assembly.
- Replace glass assembly and operate appliance for an additional 12 hours.

Refer to maintenance instructions.

WARNING



Fire Risk

Explosion Risk

Inspect external vent cap regularly.

- Ensure no debris blocks cap.
- Combustible materials blocking cap may ignite.
- Restricted air flow affects burner operation.



Maintenance and Service Tasks:

Inspect	Maintenance Tasks
Doors, surrounds and fronts	<ol style="list-style-type: none"> 1. Assess condition of screen and replace as necessary. Recommend addition of screen if one is not present. 2. Inspect for scratches, dents or other damage and repair as necessary. 3. Verify no obstructions to airflow through the louvers. 4. Verify proper clearance to combustible household objects is maintained.
Gasket seal, glass assembly and glass	<ol style="list-style-type: none"> 1. Inspect gasket seal and its condition. 2. Inspect glass panels for scratches and nicks that can lead to breakage when exposed to heat. 3. Confirm there is no damage to glass or glass frame. Replace as necessary. 4. Verify that latches engage properly, clip studs are not stripped, and glass attachment components are intact and operating properly. Replace as necessary. 5. Clean glass using a nonabrasive cleaner such as Brasso®. Replace glass assembly if severely coated with silicate deposits that cannot be removed.
Valve compartment and firebox top	<ol style="list-style-type: none"> 1. Vacuum and wipe out dust, cobwebs, debris or pet hair. Use caution when cleaning these areas. Screw tips that have penetrated the sheet metal are sharp and should be avoided. 2. Remove any foreign objects. 3. Verify unobstructed air circulation.
Logs	<ol style="list-style-type: none"> 1. Inspect for broken, damaged, or missing logs. Replace as necessary. 2. Verify correct log placement and no flame impingement causing sooting. Correct as necessary.
Firebox	<ol style="list-style-type: none"> 1. Inspect for paint condition, warpage, corrosion or perforation. Sand and repaint as necessary. 2. Replace appliance if firebox has been perforated.
Burner ignition and operation	<ol style="list-style-type: none"> 1. Verify burner is properly secured and aligned with pilot or ignitor. 2. Clean off burner top, inspect for plugged ports, corrosion or deterioration. Replace burner if necessary. 3. Replace rockwool with new dime-sized and shaped pieces. Do not block ports or obstruct lighting paths. 4. Check for smooth lighting and ignition carryover to all ports. Verify there is no ignition delay. 5. Inspect for lifting or other flame problems. 6. Verify air shutter is clear of dust and debris. 7. Inspect orifice for soot, dirt or corrosion. 8. Verify manifold and inlet pressures. Adjust regulator as required. 9. Inspect pilot flame strength. Clean or replace orifice as necessary. 10. Inspect thermocouple/thermopile or IPI sensor rod for soot, corrosion and deterioration. Clean with emery cloth or replace as required. 11. Verify millivolt output. Replace as necessary.
Venting	<ol style="list-style-type: none"> 1. Inspect venting for blockage or obstruction such as birds' nests, leaves, etc. 2. Confirm that termination cap remains clear and unobstructed by plants, etc. 3. Verify that termination cap clearance to subsequent construction (building additions, decks, fences or sheds) has been maintained. 4. Inspect for corrosion or separation. 5. Verify weather stripping, sealing and flashing remain intact. 6. Inspect draft shield to verify it is not bent, damaged or missing.
Remote controls	<ol style="list-style-type: none"> 1. Verify operation of remote. 2. Replace batteries in remote transmitters and battery-powered receivers. 3. Verify batteries have been removed from battery back-up in IPI systems to prevent premature battery failure or leaking.

16 Reference Materials

A. Appliance Dimension Diagram

Dimensions are actual appliance dimensions. Use for reference only. For framing dimensions and clearances refer to Section 3.

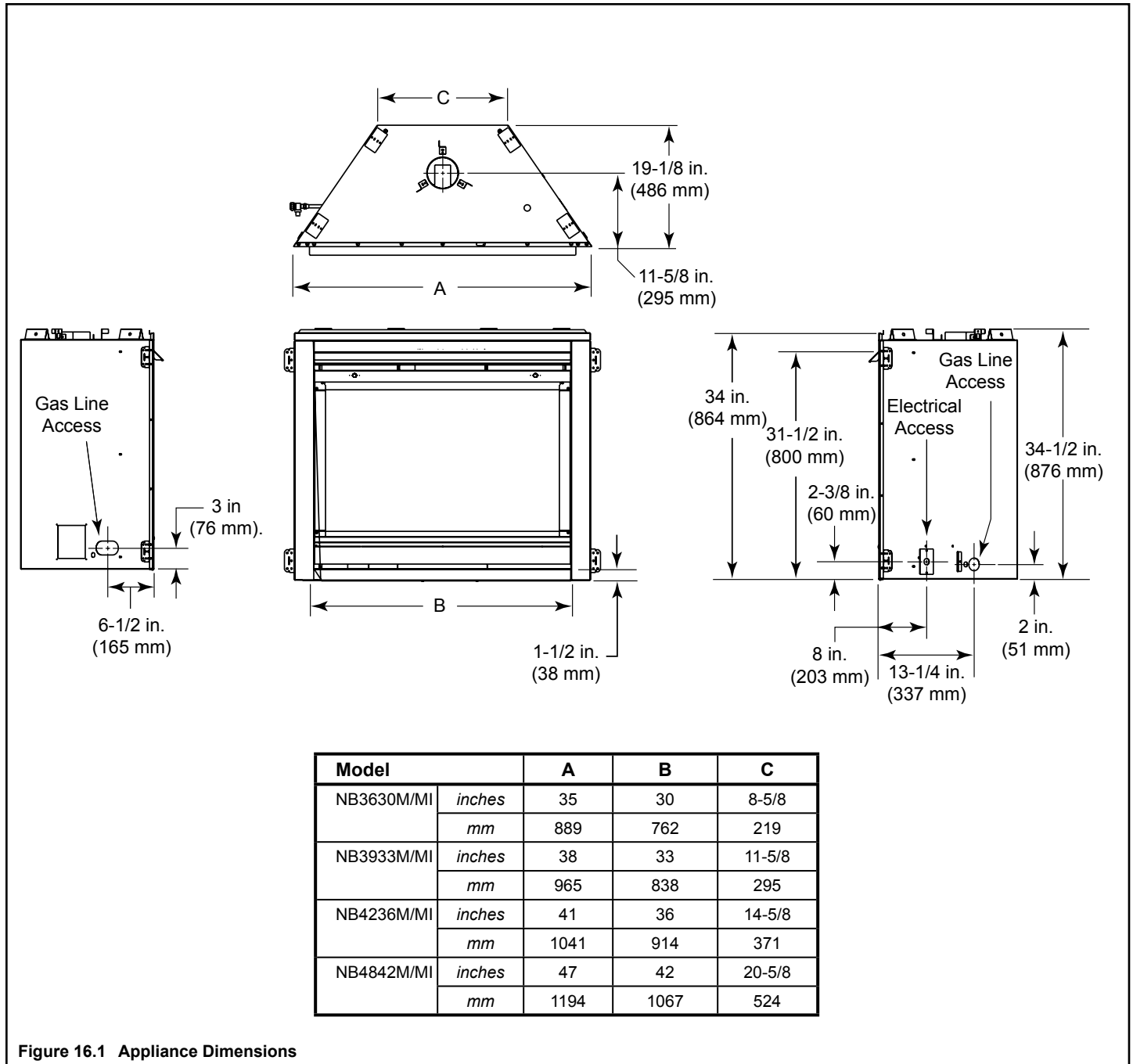
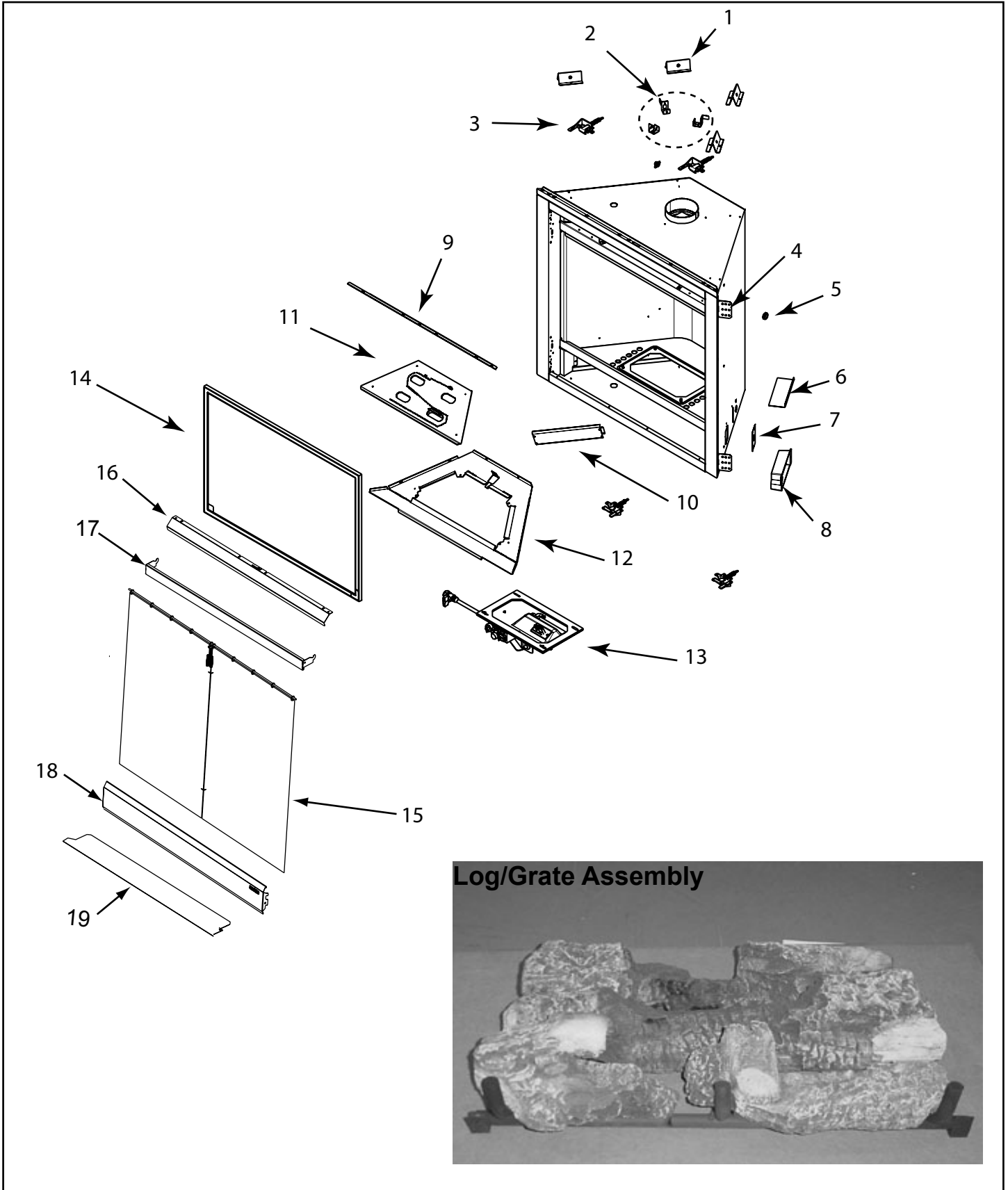
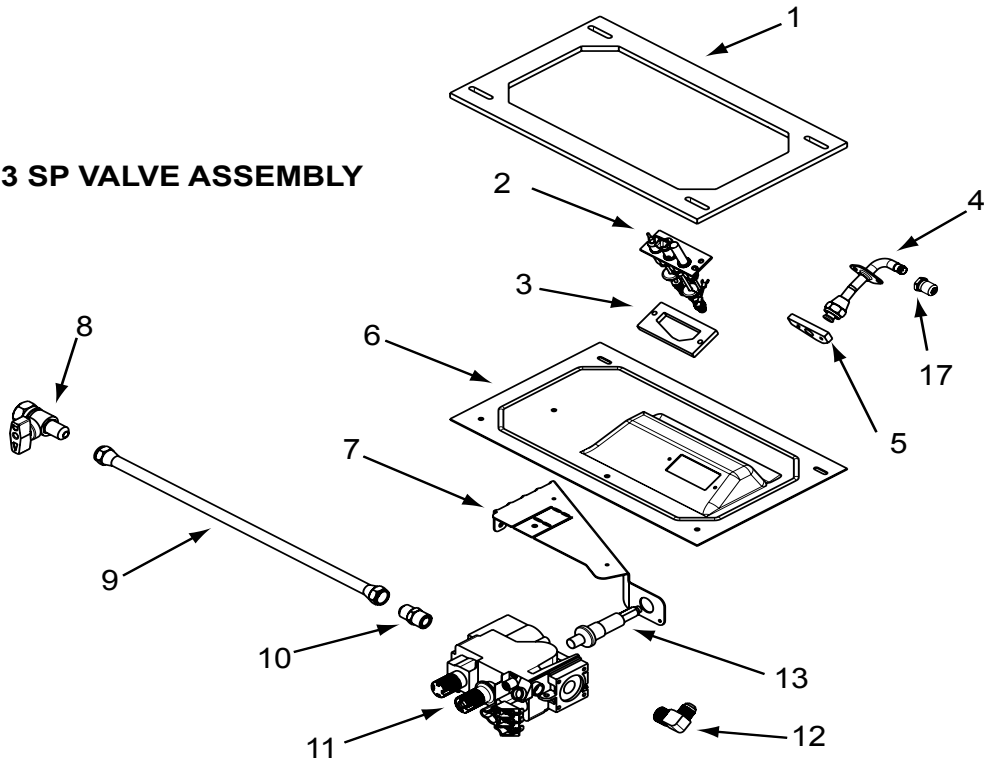


Figure 16.1 Appliance Dimensions

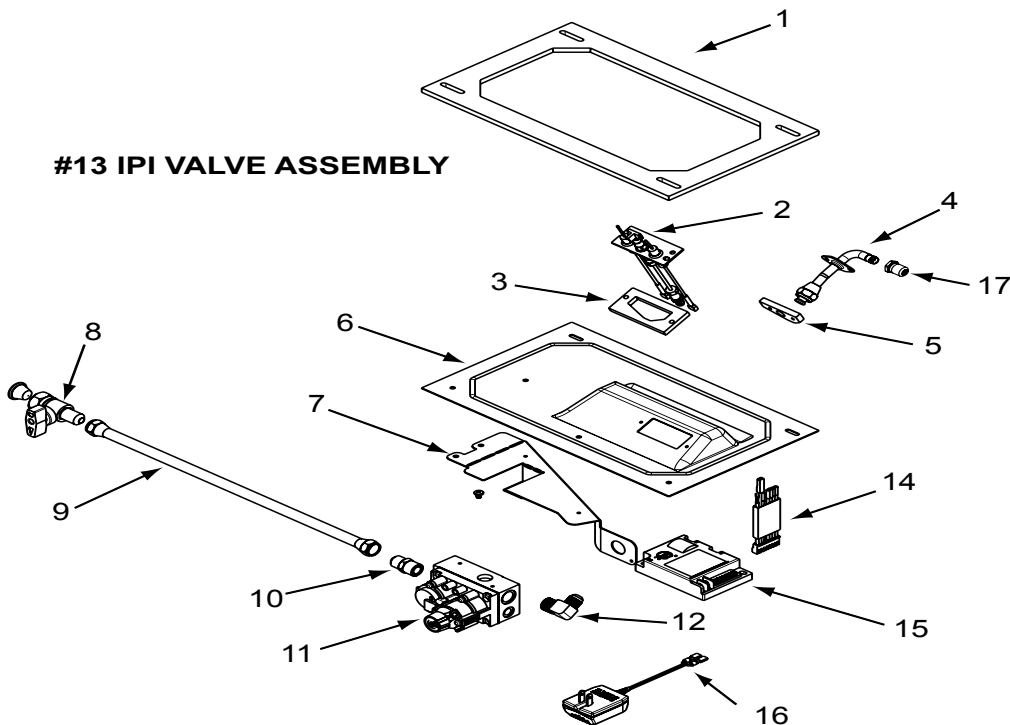
This page intentionally left blank.

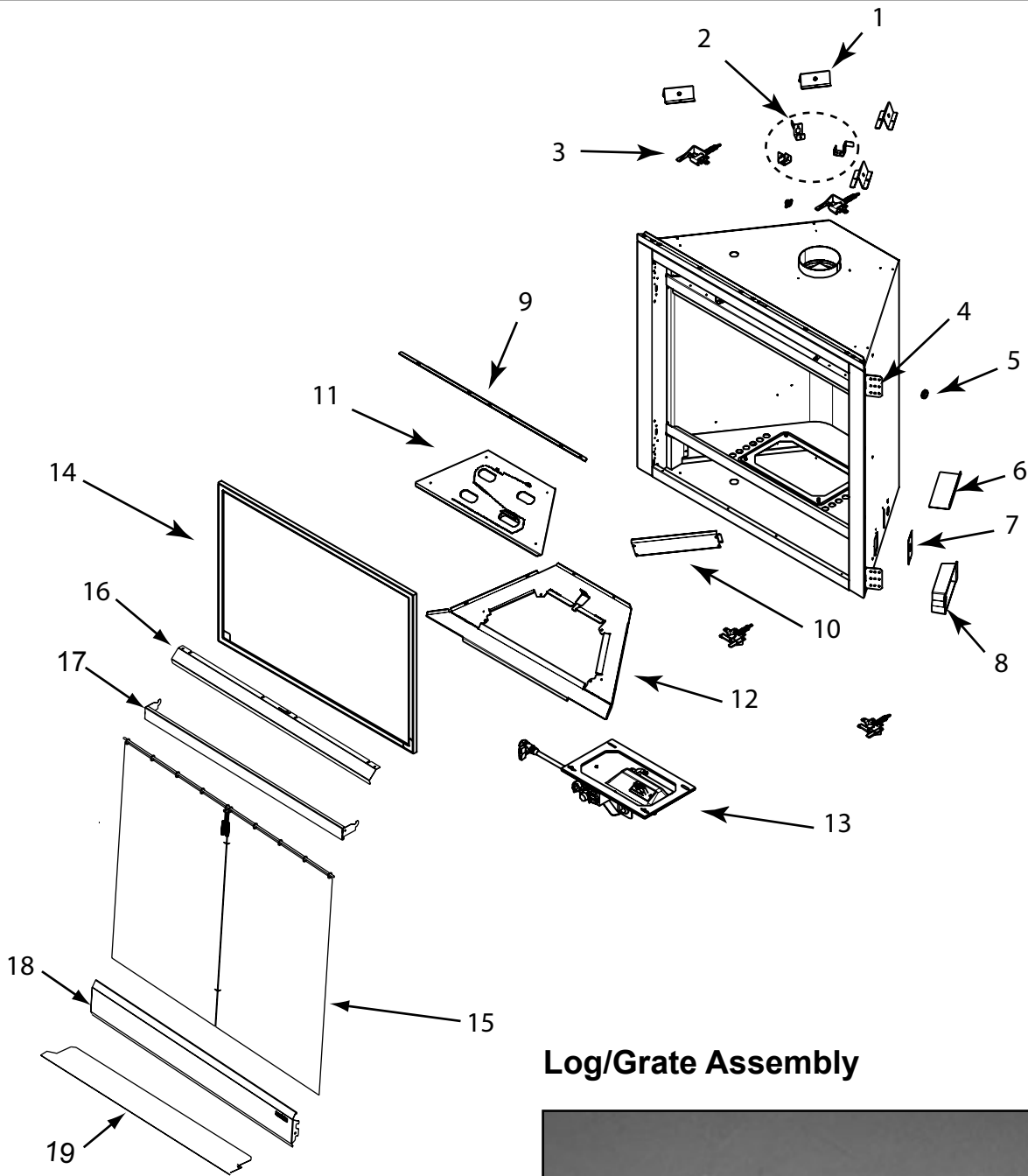


#13 SP VALVE ASSEMBLY

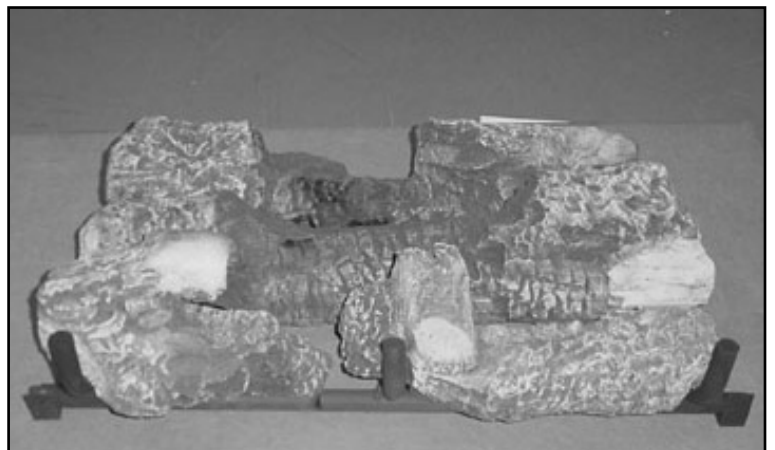


#13 IPI VALVE ASSEMBLY

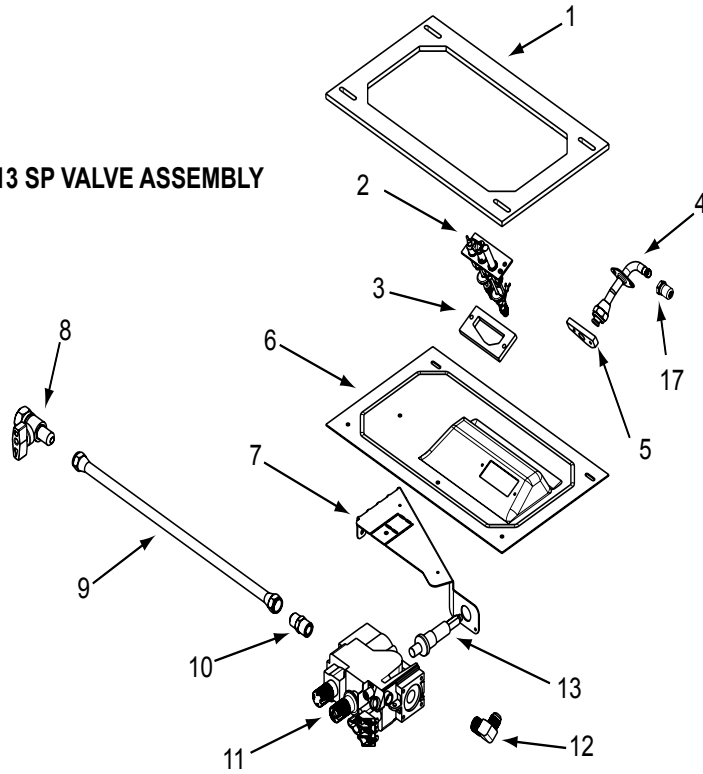




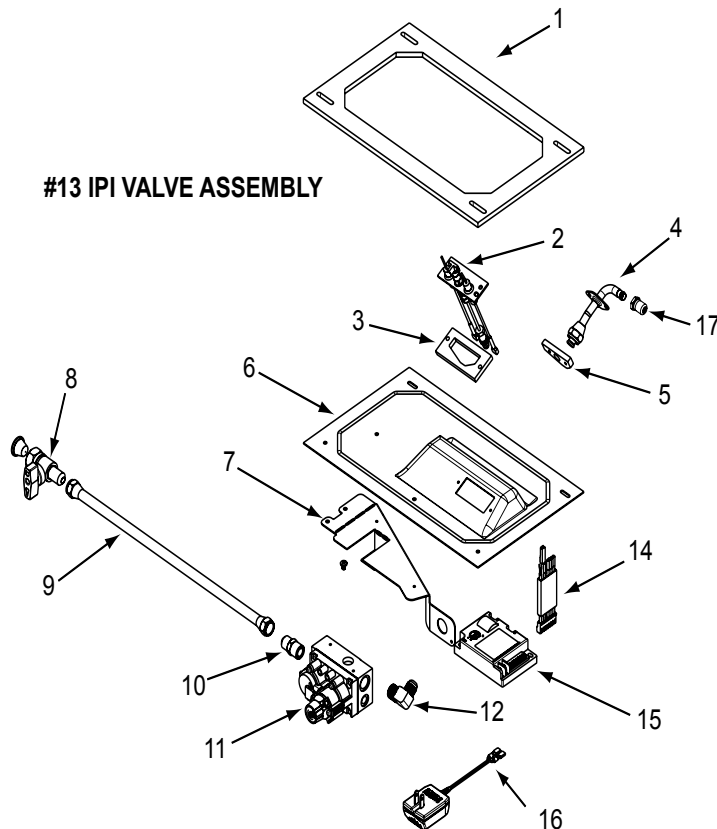
Log/Grate Assembly

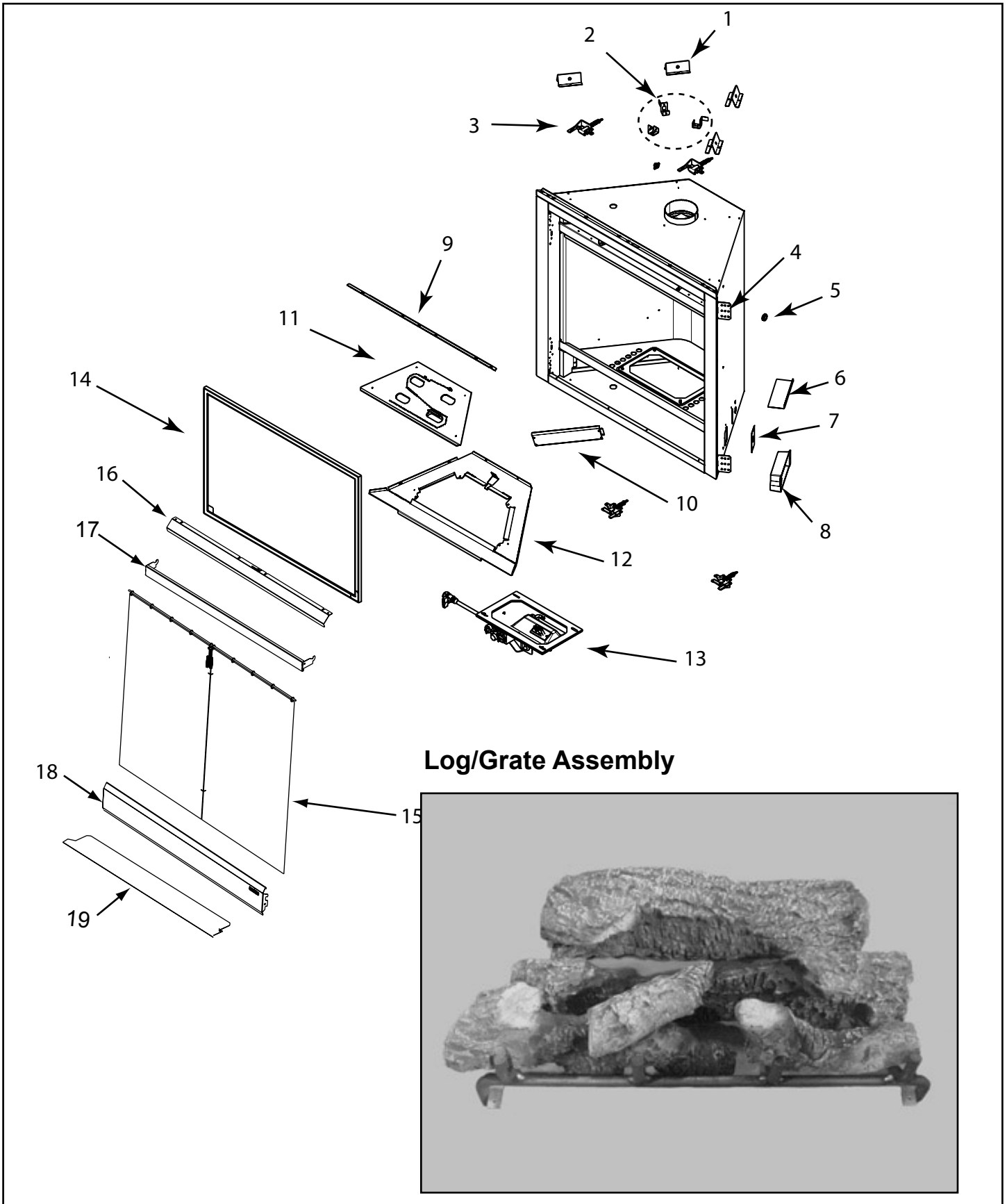


#13 SP VALVE ASSEMBLY

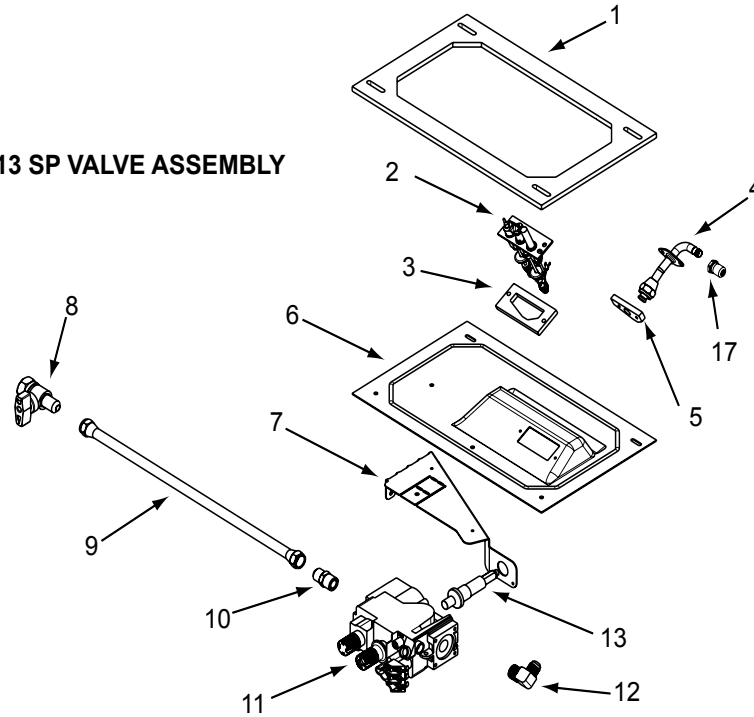


#13 IPI VALVE ASSEMBLY

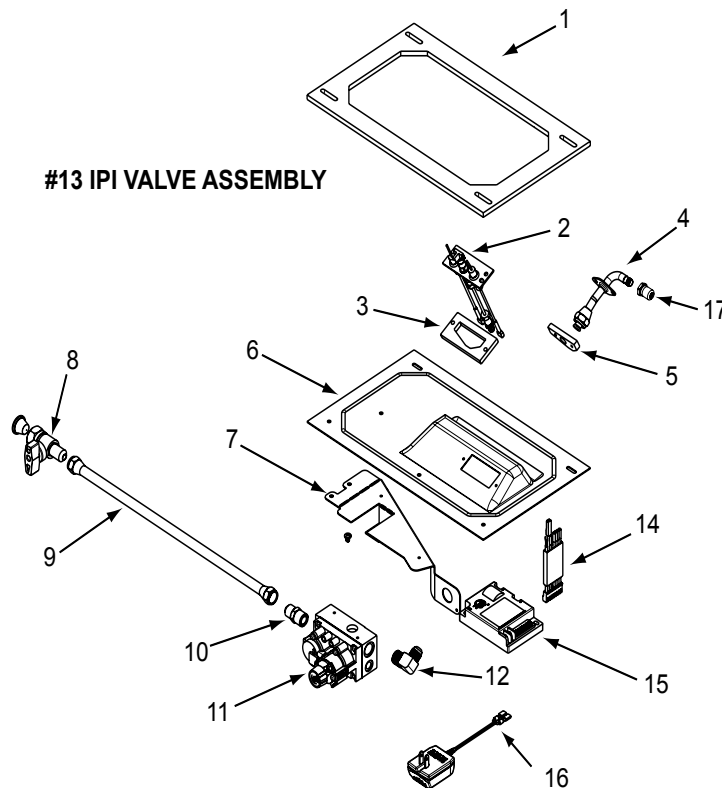


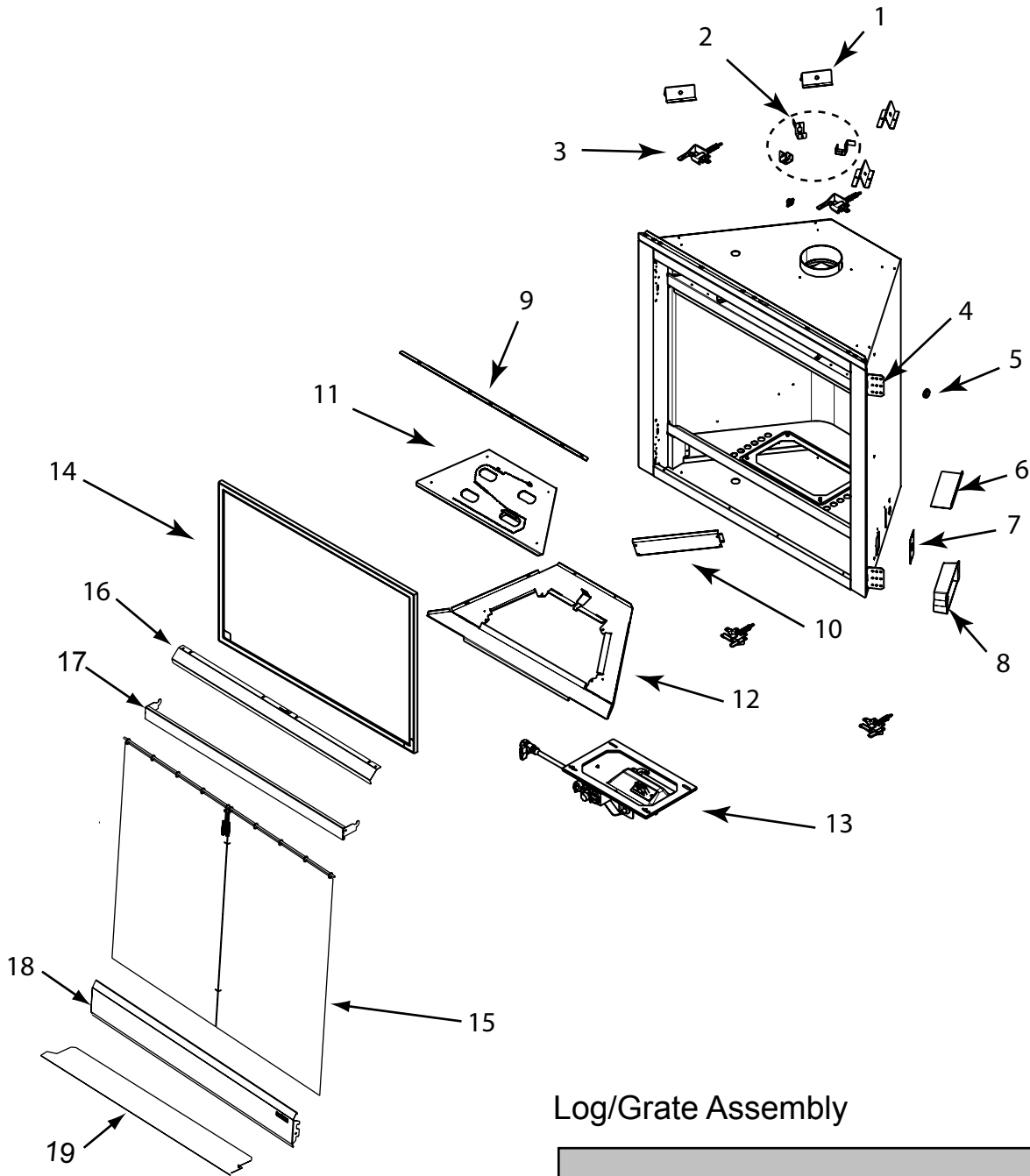


#13 SP VALVE ASSEMBLY



#13 IPI VALVE ASSEMBLY



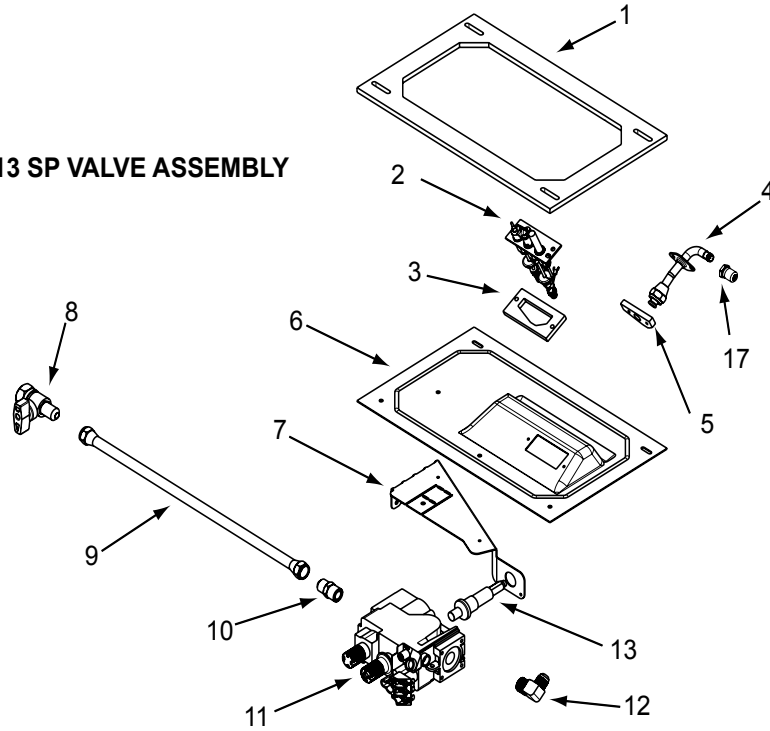


Log/Grate Assembly

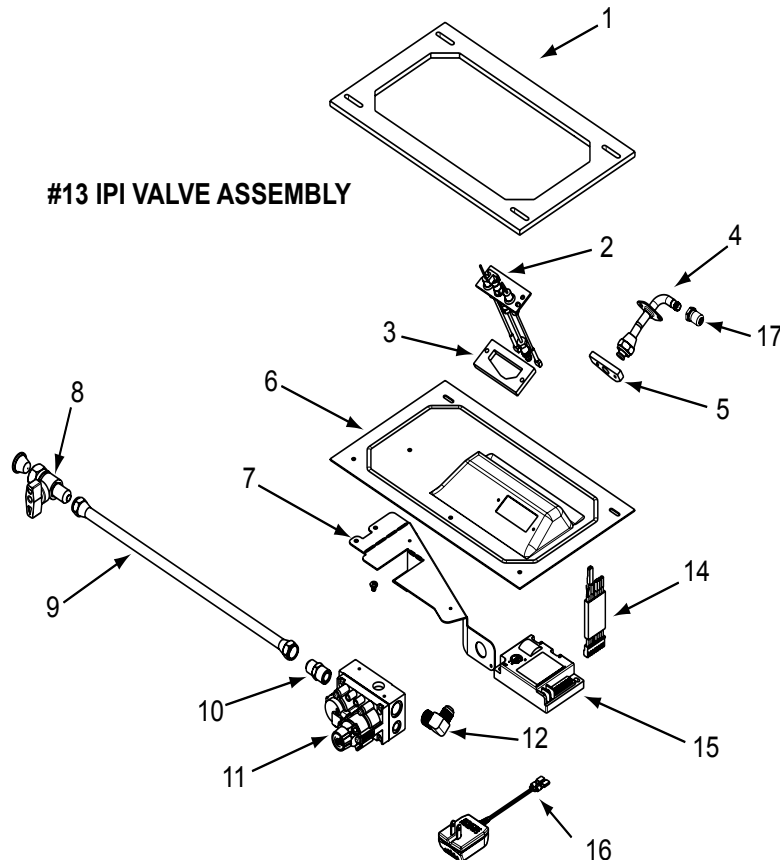


#	Description of Part	NB4842M	NB4842MI	Qty.
1	Top Standoff	31779	31779	4
2	Collar Shield Leg	4031-255	4031-255	3
3	Glass Clip Support Assembly	33858	33858	7
4	Nailing Flange	4044-161	4044-161	4
5	Grommet	25741	25741	1
6	Junction Box Radiation Shield	4031-193	4031-193	1
7	Cover Plate	4031-222	4031-222	1
8	Junction Box (plastic)	4021-013	4021-013	1
9	42 in. Glass Shield	4031-220	4031-220	1
10	Fan Shield	4031-290	4031-290	1
11	Burner Assembly	4031-062	4031-062	1
12	Hearth Pan	4031-498	4031-498	1
13	Valve Assembly	4031-510	4031-512	1
14	Glass Frame Assembly	4000-053	4000-053	1
15	Screen Assembly	4031-831	4031-831	1
	Screen Rod	4031-939	4031-939	1
16	42 in. Hood	4031-807	4031-807	1
17	Top Latch Cover	4031-819	4031-819	1
18	Bottom Latch Cover	4031-823	4031-823	1
19	Floor Cover	7031-208	7031-208	1
	42 in. Drywall Lip	4031-208	4031-208	1
	Screen Bracket	28159	28159	2
	Limit Switch	4021-383	4021-383	1
	Log/Grate Assembly	4031-091	4031-091	1
	Grate Assembly	4021-057	4021-057	1
	36 in./42 in. Front Left Log	4031-273	4031-273	1
	36 in./42 in. Front Right Log	4031-274	4031-274	1
	36 in./42 in. Middle Log	4031-280	4031-280	1
	36 in./42 in. Top Log	4031-276	4031-276	1
	42 in. Back Log	4031-278	4031-278	1
	Screw Sleeve	4021-057	4021-057	1
	Wool, Rock, Vermiculite	30831	30831	1
	Lava Rock (1lb Bag)	4021-295	4021-295	1
	Mineral Wool	14333B	14333B	1
	Vermiculite	28746	28746	1

#13 SP VALVE ASSEMBLY



#13 IPI VALVE ASSEMBLY



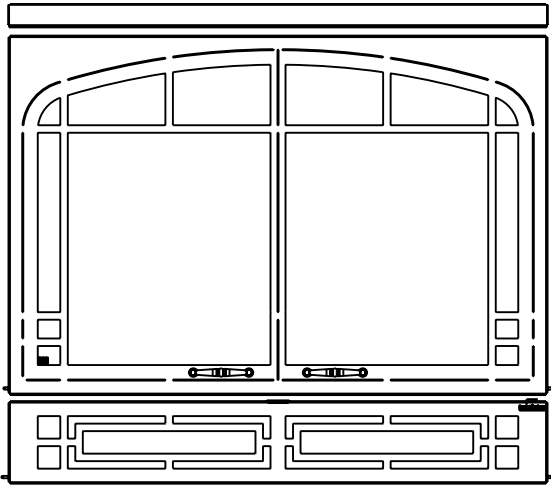
C. Optional Components

Model #	Description
NB3630M	B-vent standing pilot, natural gas, 36" framing width, 30" viewing glass
NB3630MI	B-vent, Intellifire ignition system, natural gas, 36" framing width, 30" viewing glass
Optional Accessories (shipped separately)	
TB30	Traditional brick pattern refractory, to be modified in the field
HB30	Herringbone brick pattern refractory, to be modified in the field
AK14	Outside air kit
ID4	4" I.D. Insulated flex-duct, for use with outside air kits, two 42" sections
UD4	4" I.D. Uninsulated flex-duct, for use with outside air kits, two 42" sections
BC10	Fan motor rheostat control, wall mounted
GFK21B	Transaxial fan kit
GFK21MB	Multi-pak of 12 GFK21B transaxial fan kits
RCTS-MLT-HTL	Remote Control Kit (SIT valve only)
WSK-MLT-HTL	Multi-function wall switch (standing pilot or Intellifire ignition, Robertshaw valve only)
RC-BATT-HTL	Battery operated remote control (standing pilot or Intellifire ignition)
RC-SMART-HTL	Remote control (requires 110v or rewiring)
RCT-MLT-HTL	Multi-functional remote: On/Off, high/low flame, room temp., fan speed (standing pilot or Intellifire ignition, Robertshaw valve only)
SMART-STAT-HTL	Multi-functional remote: On/Off, room temp., thermostat temp., timer (standing pilot or Intellifire ignition)
SMART-BATT-HTL	Battery operated remote control (standing pilot or Intellifire ignition)
CKVP	L.P. gas conversion kit (Robertshaw valve only)
CKVN	Natural gas conversion kit (Robertshaw valve only)
DCKVP	L.P. gas conversion kit for Intellifire ignition system
DCKVN	Natural gas conversion kit for Intellifire ignition system
SCKVP-B	LP Gas Conversion Kit
SCKVN-B	Natural Gas Conversion Kit
TKN02S	Full face stainless steel trim kit (13 pieces)
TKN03B	Polished brass louver trim kit (6 pieces)
TKN03S	Stainless steel louver trim kit (6 pieces)
TKN05B	Polished brass accent trim kit (2 pieces)
TKN05S	Stainless steel accent trim kit (2 pieces)
DFN0B	Fixed bi-fold polished brass glass doors
DFN0S	Fixed bi-fold stainless steel glass doors
DFA30	Fixed, cabinet-style, black finish arched glass doors
DFA30B	Fixed, cabinet-style, polished brass arched glass doors
DFA30S	Fixed, cabinet-style, stainless steel arched glass doors
SSHND	Stainless steel door handles
BRSHND	Brass door handles
FFM30	Modernist-style black column decorative faux front with black handles
FFAC30	Arts & Crafts style black column decorative faux front with black handles

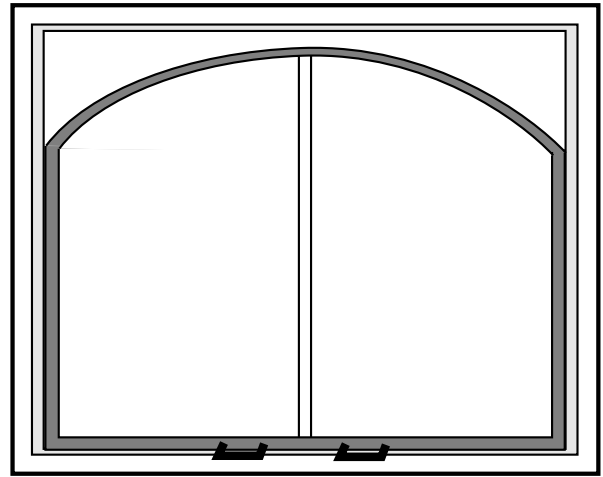
Model #	Description
NB3933M	B-vent, standing pilot, natural gas, 39" framing width, 33" viewing glass
NB3933MI	B-vent, Intellifire ignition system, natural gas, 39" framing width, 33" viewing glass
	Optional Accessories (shipped separately)
TB33	Traditional brick pattern refractory, to be modified in the field
HB33	Herringbone brick pattern refractory, to be modified in the field
AK14	Outside air kit
ID4	4" I.D. Insulated flex-duct, for use with outside air kits, two 42" sections
UD4	4" I.D. Uninsulated flex-duct, for use with outside air kits, two 42" sections
BC10	Fan motor rheostat control, wall mounted
GFK4B	Transaxial fan kit
GFK4MB	Multi-pak of 12 GFK4B transaxial fan kits
RCTS-MLT-HTL	Remote Control Kit (SIT valve only)
WSK-MLT-HTL	Multi-function wall switch (standing pilot or Intellifire ignition, Robertshaw valve only)
RC-BATT-HTL	Battery operated remote control (standing pilot or Intellifire ignition)
RC-SMART-HTL	Remote control (requires 110v or rewiring)
RCT-MLT-HTL	Multi-functional remote: On/Off, high/low flame, room temp., fan speed (standing pilot or Intellifire ignition, Robertshaw valve only)
SMART-STAT-HTL	Multi-functional remote: On/Off, room temp., thermostat temp., timer (standing pilot or Intellifire ignition)
SMART-BATT-HTL	Battery operated remote control (standing pilot or Intellifire ignition)
CKVP	L.P. gas conversion kit (Robertshaw valve only)
CKVN	Natural gas conversion kit (Robertshaw valve only)
DCKVP	L.P. gas conversion kit for Intellifire ignition system
DCKVN	Natural gas conversion kit for Intellifire ignition system
SCKVP-B	LP Gas Conversion Kit
SCKVN-B	Natural Gas Conversion Kit
TKN32S	Full face stainless steel trim kit (13 pieces) (decorative unit only)
TKN33B	Polished brass louver trim kit (6 pieces)
TKN33S	Stainless steel louver trim kit (6 pieces)
TKN35B	Polished brass accent trim kit (2 pieces)
TKN35S	Stainless steel accent trim kit (2 pieces)
DFN3B	Fixed bi-fold polished brass glass doors
DFN3S	Fixed bi-fold stainless steel glass doors
DFA33	Fixed cabinet-style, arched, black finish glass doors
DFA33B	Fixed cabinet-style, arched, polished brass glass doors
DFA33S	Fixed cabinet-style, arched, stainless steel glass doors
SSHND	Stainless steel door handles
BRSHND	Brass door handles
FFM33	Modernist-style black column decorative faux front with black handles
FFAC33	Arts & Crafts style black column decorative faux front with black handles

Model #	Description
NB4236M	B-vent standing pilot, natural gas, 42" framing width, 36" viewing glass
NB4236MI	B-vent, Intellifire ignition system, natural gas, 42" framing width, 36" viewing glass
Optional Accessories (shipped separately)	
TB36	Traditional brick pattern refractory, to be modified in the field
HB36	Herringbone brick pattern refractory, to be modified in the field
AK14	Outside air kit
ID4	4" I.D. Insulated flex-duct, for use with outside air kits, two 42" sections
UD4	4" I.D. Uninsulated flex-duct, for use with outside air kits, two 42" sections
BC10	Fan motor rheostat control, wall mounted
GFK4B	Transaxial fan kit
GFK4MB	Multi-pack of 12 GFK4B transaxial fan kits
RCTS-MLT-HTL	Remote Control Kit (SIT valve only)
WSK-MLT-HTL	Multi-function wall switch (standing pilot or Intellifire ignition, Robertshaw valve only)
RC-BATT-HTL	Battery operated remote control (standing pilot or Intellifire ignition)
RC-SMART-HTL	Remote control (requires 110v or prewiring)
RCT-MLT-HTL	Multi-functional remote: On/Off, high/low flame, room temp., fan speed (standing pilot or Intellifire ignition, Robertshaw valve only)
SMART-STAT-HTL	Multi-functional remote: On/Off, room temp., thermostat temp., timer (standing pilot or Intellifire ignition)
SMART-BATT-HTL	Battery operated remote control (standing pilot or Intellifire ignition)
CKVP	L.P. gas conversion kit (Robertshaw valve only)
CKVN	Natural gas conversion kit (Robertshaw valve only)
DCKVP	L.P. gas conversion kit for Intellifire ignition system
DCKVN	Natural gas conversion kit for Intellifire ignition system
SCKVP-B	LP Gas Conversion Kit
SCKVN-B	Natural Gas Conversion Kit
TKN62B	Full face polished brass trim kit (13 pieces)
TKN63B	Polished brass louver trim kit (6 pieces)
TKN63S	Stainless steel louver trim kit (6 pieces)
TKN65B	Polished brass accent trim kit (2 pieces)
TKN65S	Stainless steel accent trim kit (2 pieces)
DFN6B	Fixed bi-fold polished brass glass doors
DFN6S	Fixed bi-fold stainless steel glass doors
DFA36	Fixed cabinet-style, arched, black finish glass doors
DFA36B	Fixed cabinet-style, arched, polished brass glass doors
DFA36S	Fixed cabinet-style, arched, stainless steel glass doors
SSHND	Stainless steel door handles
BRSHND	Brass door handles
FFM36	Modernist-style black column decorative faux front with black handles
FFAC36	Arts & Crafts style black column decorative faux front with black handles

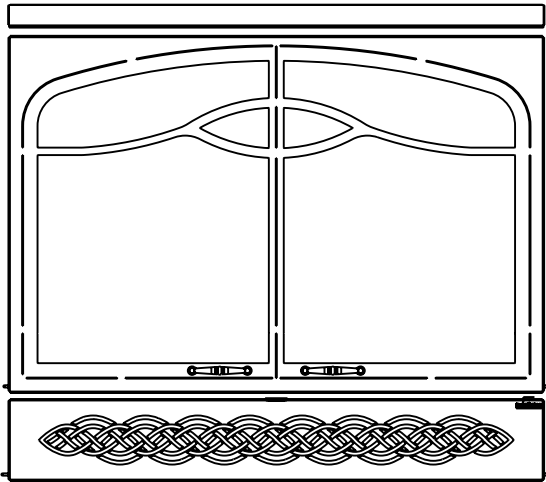
Model #	Description
NB4842M	B-vent standing pilot, natural gas, 48" framing width, 42" viewing glass
NB4842MI	B-vent, Intellifire ignition system, natural gas, 48" framing width, 42" viewing glass
Optional Accessories (shipped separately)	
TB42	Traditional brick pattern refractory, to be modified in the field
HB42	Herringbone brick pattern refractory, to be modified in the field
AK14	Outside air kit
ID4	4" I.D. Insulated flex-duct, for use with outside air kits, two 42" sections
UD4	4" I.D. Uninsulated flex-duct, for use with outside air kits, two 42" sections
BC10	Fan motor rheostat control, wall mounted
GFK4B	Transaxial fan kit
GFK4MB	Multi-pack of 12 GFK4B transaxial fan kits
RCTS-MLT-HTL	Remote Control Kit (SIT valve only)
WSK-MLT-HTL	Multi-function wall switch (standing pilot or Intellifire ignition, Robertshaw valve only)
RC-BATT-HTL	Battery operated remote control (standing pilot or Intellifire ignition)
RC-SMART-HTL	Remote control (requires 110v or prewiring)
RCT-MLT-HTL	Multi-functional remote: On/Off, high/low flame, room temp., fan speed (standing pilot or Intellifire ignition, Robertshaw valve only)
SMART-STAT-HTL	Multi-functional remote: On/Off, room temp., thermostat temp., timer (standing pilot or Intellifire ignition)
SMART-BATT-HTL	Battery operated remote control (standing pilot or Intellifire ignition)
CKVP	L.P. gas conversion kit (Robertshaw valve only)
CKVN	Natural gas conversion kit (Robertshaw valve only)
DCKVP	L.P. gas conversion kit for Intellifire ignition system
DCKVN	Natural gas conversion kit for Intellifire ignition system
SCKVP-B	LP Gas Conversion Kit
SCKVN-B	Natural Gas Conversion Kit
TKN22B	Full face polished brass trim kit
TKN22S	Full face stainless steel trim kit
TKN23B	Polished brass trim kit (5 pieces)
TKN23S	Stainless steel trim kit (5 pieces)
TKN25B	Polished brass trim kit (2 pieces)
TKN25S	Stainless steel trim kit (2 pieces)
DFC2B	Fixed bi-fold polished brass glass doors
DFC2S	Fixed bi-fold stainless steel glass doors
DFA42	Fixed cabinet-style, arched, black finish glass doors
DFA42B	Fixed cabinet-style, arched, polished brass glass doors
DFA42S	Fixed cabinet-style, arched, stainless steel glass doors
SSHND	Stainless steel door handles
BRSHND	Brass door handles
FFM42	Modernist-style black column decorative faux front with black handles
FFAC42	Arts & Crafts style black column decorative faux front with black handles



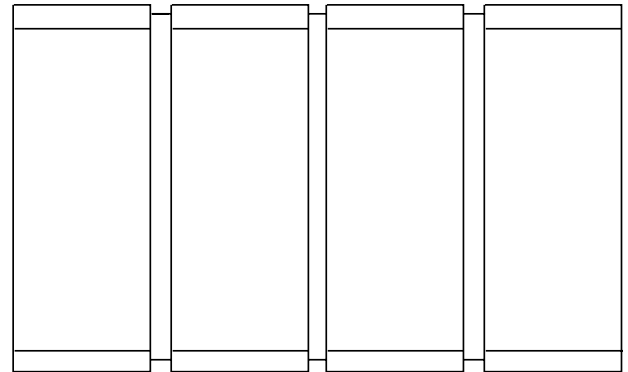
**Arts & Crafts-Style
Faux Front**



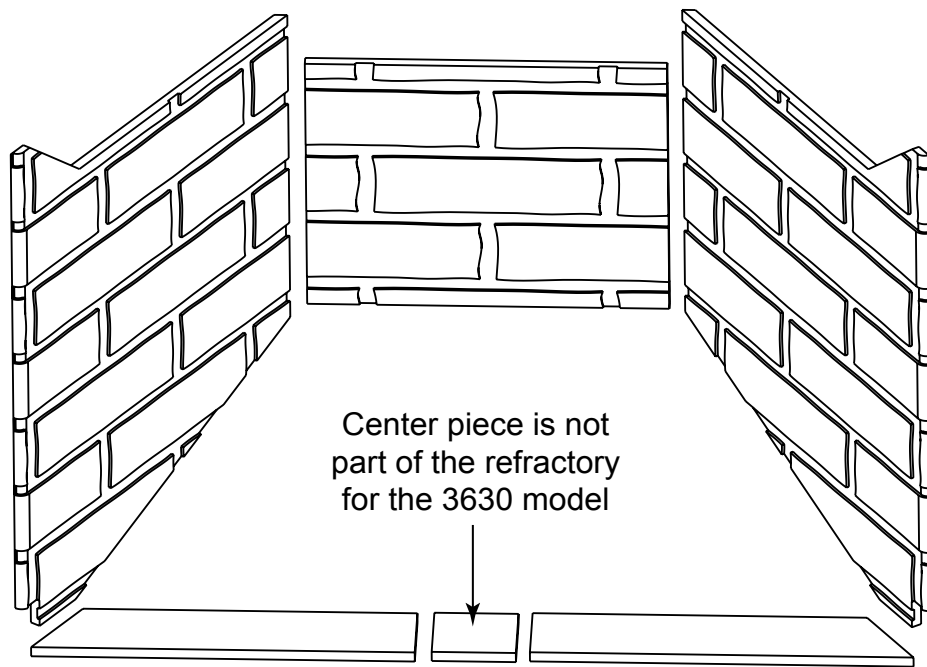
**Fixed, Cabinet-Style
Arched Glass Doors**



**Modernist-Style
Faux Front**

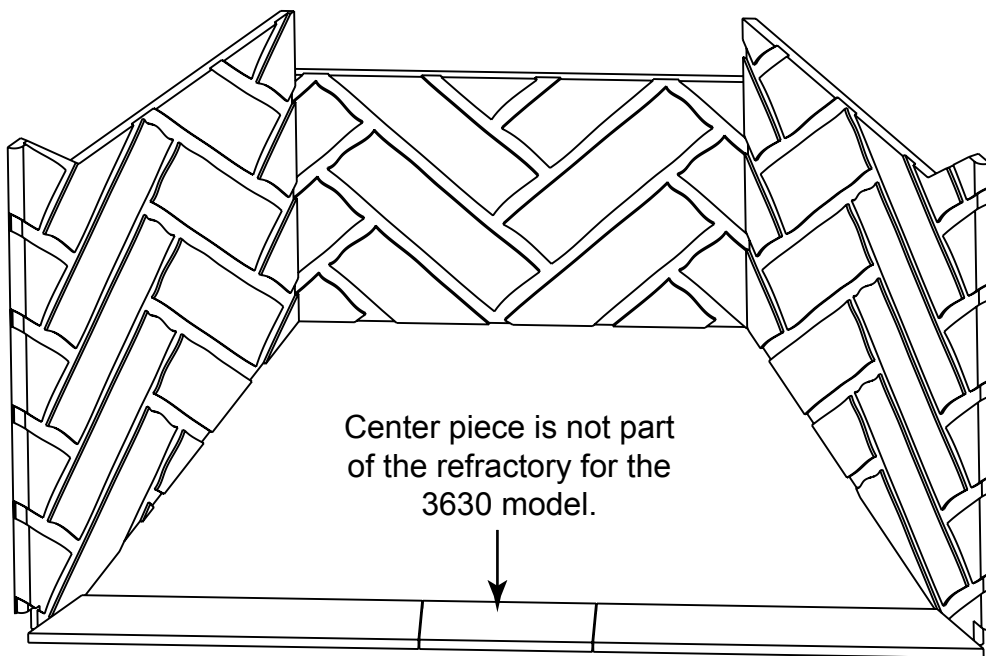


Fixed Bi-Fold Doors



Center piece is not part of the refractory for the 3630 model

TB33
Traditional Brick Refractory



Center piece is not part of the refractory for the 3630 model.

HB33
Herringbone Brick Refractory

This page intentionally left blank.

This page intentionally left blank.

This page intentionally left blank.

D. Limited Lifetime Warranty



Gas Appliance (Fireplace) Limited Lifetime Warranty

HEARTH & HOME TECHNOLOGIES INC. ("HHT") extends the following warranty for HEATILATOR® gas appliances installed in the United States of America or Canada (the "Appliance"). Dealers and employees of HHT have no authority to make any warranty or authorize any remedies in addition to or inconsistent with the terms of this warranty.

Limited Lifetime Warranty

HHT warrants the Appliance for component failure due to a manufacturing defect of any of the following components: combustion chamber, burner pan, and logs. The Limited Lifetime Warranty specified above is subject to the conditions, exclusions and limitations listed below, is for the period the Appliance is owned by the original homeowner only, and is nontransferable.

1 Year Limited Warranty

HHT warrants the Appliance to be free from failure of any of the following components for a period of one year after installation: valve, flexible gas line connector, glass panel, fan, direct vent chimney components, factory paint, gasket, piezo ignitor, thermopile, thermocouple, junction box, pilot assembly, shutoff valve, high limit switch, refractory liners, transformer, and control box. If the Heatilator Appliance is found to be defective in either material or workmanship within one year of the date of original installation, HHT will provide replacement parts at no charge and pay reasonable labor and freight costs, and is for the period of one year following the date of original installation of the Appliance.

Conditions, Exclusions, & Limitations of Liability

- A. Both the Limited Lifetime and 1 Year Limited Warranties supplied by HHT apply only while the Appliance is in its location of original installation. HHT's obligation under this warranty does not extend to damages resulting from (1) installation, operation or maintenance of the Appliance not in accordance with the Installation Instructions, Operating Instructions, and the Listing Agent Identification Label furnished with the Appliance; (2) installation which does not comply with local building codes; (3) shipping, improper handling, improper operation, abuse, misuse, accident or unworkmanlike repairs; (4) environmental conditions, inadequate ventilation or drafting caused by tight sealing construction of the structure, air handling devices such as exhaust fans or forced air furnaces, or other causes; (5) use of fuels other than those specified in the Operating Instructions; (6) installation or use of components not supplied with the Appliance or any other components not expressly authorized and approved by HHT; and/or (7) modification of the Appliance not expressly authorized and approved by HHT in writing. This warranty is limited to only the component parts manufactured or supplied by HHT.
- B. HHT's liability under both the Limited Lifetime Warranty and the 1 Year Limited Warranty is limited to the replacement and repair of defective components or workmanship during the applicable period. HHT may fully discharge all of its obligations under such warranties by repairing the defective component(s) or at HHT's discretion, providing replacement parts at no charge and paying reasonable labor and freight costs.
- C. **EXCEPT TO THE EXTENT PROVIDED BY LAW, HHT MAKES NO EXPRESS WARRANTIES OTHER THAN THE WARRANTY SPECIFIED HEREIN. THE DURATION OF ANY IMPLIED WARRANTY IS LIMITED TO DURATION OF THE WARRANTY SPECIFIED ABOVE.**
- D. Some states do not allow exclusions or limitations of incidental or consequential damages, so those limitations may not apply to you. This warranty gives you specific rights; you may also have other rights which vary from state to state.

How to Obtain Service

To obtain service under this warranty you must:

1. Send written notice of the claimed condition to Heatilator Technical Service Department, Hearth & Home Technologies, 1915 W. Saunders Street, Mt. Pleasant, Iowa 52641-1563. You may also register your claim online at www.heatilator.com.
2. Provide proof of purchase, model number, serial number, and manufacturing date code to HHT.
3. Provide HHT reasonable opportunity to investigate the claim, including reasonable opportunity to inspect the Appliance prior to any repair or replacement work and before the Appliance or any component of the Appliance has been removed from the place of original installation.
4. Obtain HHT's consent to any warranty work before the work is done.

ADDITIONAL INFORMATION:

If you would like information on current HEATILATOR products or want to locate a dealer in your area, call 1-800-927-6841.

©2003 Heatilator® is a Registered Trademark of Hearth & Home Technologies Inc.

E. Contact Information

heatilator®



The first name in fireplaces

Hearth & Home Technologies Inc.
1915 W. Saunders Street
Mt. Pleasant, Iowa 52641
www.heatilator.com

Please contact your Heatilator dealer with any questions or concerns.

For the number of your nearest Heatilator dealer, please visit www.heatilator.com.

- NOTES -

CAUTION		
	DO NOT DISCARD THIS MANUAL	
Important operating and maintenance instructions included.	Read, understand and follow these instructions for safe installation and operation.	Leave this manual with party responsible for use and operation.

This product may be covered by one or more of the following patents: (United States) 4593510, 4686807, 4766876, 4793322, 4811534, 5000162, 5016609, 5076254, 5113843, 5191877, 5218953, 5263471, 5328356, 5341794, 5347983, 5429495, 5452708, 5542407, 5601073, 5613487, 5647340, 5688568, 5762062, 5775408, 5890485, 5931661, 5941237, 5947112, 5996575, 6006743, 6019099, 6048195, 6053165, 6145502, 6170481, 6237588, 6296474, 6374822, 6413079, 6439226, 6484712, 6543698, 6550687, 6601579, 6672860, 6688302B2, 6715724B2, 6729551, 6736133, 6748940, 6748942, 6769426, 6774802, 6796302, 6840261, 6848441, 6863064, 6866205, 6869278, 6875012, 6880275, 6908039, 6919884, D320652, D445174, D462436; (Canada) 1297749, 2195264, 2225408, 2313972; (Australia) 780250, 780403, 1418504 or other U.S. and foreign patents pending.

Free Manuals Download Website

<http://myh66.com>

<http://usermanuals.us>

<http://www.somanuals.com>

<http://www.4manuals.cc>

<http://www.manual-lib.com>

<http://www.404manual.com>

<http://www.luxmanual.com>

<http://aubethermostatmanual.com>

Golf course search by state

<http://golfingnear.com>

Email search by domain

<http://emailbydomain.com>

Auto manuals search

<http://auto.somanuals.com>

TV manuals search

<http://tv.somanuals.com>