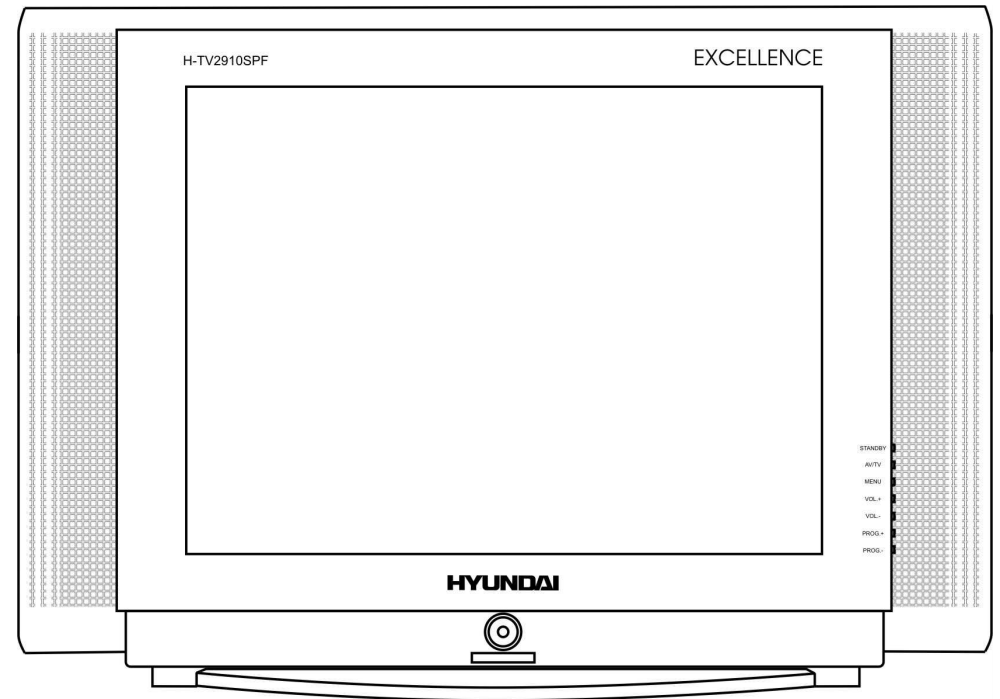
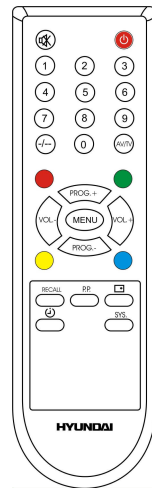


EXCELLENCE

by **HYUNDAI**

H-TV2910SPF



COLOUR TELEVISION
Instruction manual

ТЕЛЕВИЗОР
Руководство по эксплуатации

Dear customer!

Thank you for buying a HYUNDAI TV set. Before operating the unit, please read this manual thoroughly, and retain it for future reference.

Table of contents

Table of contents.....	2
Important safeguards.....	3
Colour TV features	3
Preparation.....	4
Front panel controls	6
Remote control	7
System setup.....	9
Troubleshooting guide	12
Cleaning	14
Specification	15

Important safeguards

- Before the first connecting of the appliance check that voltage indicated on the rating label corresponds to the mains voltage in your home.
- Do not use the color television for any other purposes than those described in this instruction manual.
- Do not use outdoors.
- Always unplug the color television from the power supply when not in use and before cleaning.
- Do not expose the appliance to rain or moisture.
- Do not install the appliance near bathtub, laundry tub, etc.
- Do not place the appliance near heat sources such as radiators or gas/electric fires.
- It also should not be placed in temperatures less than 5°C or greater than 40°C.
- Do not place hot objects such as candles or nightlights on, or close to the appliance. High temperatures can melt plastic and lead to the fire.
- Do not block or cover the ventilation holes. Allow 10 cm clearance from the rear and the top of the appliance, and 5 cm from each side.
- Do not place the appliance on a bed, rug or similar surface that may block the ventilation openings.
- Do not place the appliance in a built-in installation such a bookcase, cabinet or airtight rack where ventilation may be impeded.
- Place the appliance on a flat level surface avoiding anywhere, which may be subject to strong vibration.
- The appliance should be moved with care, as the weight balance is not even. Do not place heavy objects on the appliance.
- Do not allow anyone, especially children, to push anything into the slots or any other openings in the cabinet.
- Do not allow children to play with the remote control.
- Do not place the appliance near appliances, which may cause electromagnetic interference, such as microwave ovens or loudspeakers.
- For added protection against lightning, or when left unattended and unused for an extended period of time, unplug the appliance from the power supply.
- Do not leave the appliance switched on when you do not use it.
- Do not operate after malfunction or damage of cord.
- Do not handle the plug with wet hands.
- Do not attempt to repair, adjust or replace parts in the appliance. Repair the malfunctioning appliance in the nearest service center.

Colour TV features

- Pure Flat screen 29" (72 cm)
- Slim design
- Body width: 40cm
- Reception system: PAL / SECAM, B/G, D/K, NTSC M
- NTSC playback
- Two front speakers
- AV stereo, 2 x 15 W

- Tuner memory, number of channels: 256
- Auto & manual programmable scan
- Real time On/Off programmable timer
- Menu on Russian and English languages
- AV jacks: full SCART, side AV in
- Noise reduction
- Game
- Calendar
- Biological clock
- Child lock
- Clock
- Power consumption 150 W
- Wide range power supply 220 V, 50 Hz
- Multifunctional Remote Control

Preparation

Connecting to an aerial or cable television network

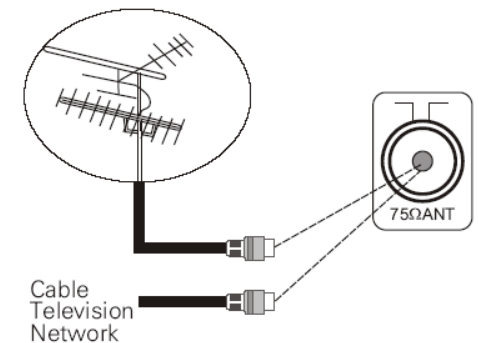
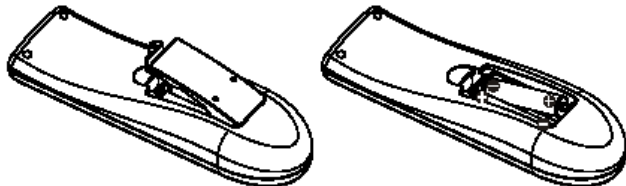
To view television channels correctly, a signal must be received by the set from one of the following sources:

- an outdoor aerial;
 - a cable television network.
1. Connect the aerial or network input cable to the coaxial socket on the rear of the television.
 2. Insert the plug into the power supply.
 3. Turn the unit power on.

Note: The power turns off approximately 30 minutes after a TV station has stopped broadcasting.

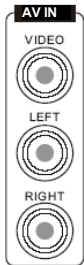
Inserting the batteries in the remote control

1. Detach the battery cover on the rear of the remote control and insert two batteries size AAA according to the diagram in the battery compartment.
2. Press the POWER button on the remote control and TV screen should light up.



Input and output terminals

SCART jack – is for connecting the input/output terminal of the A/V devices such as video camera, VCR or DVD, another TV set or amplifier. SCART cable allows connecting external devices without dividing on video and audio signals.

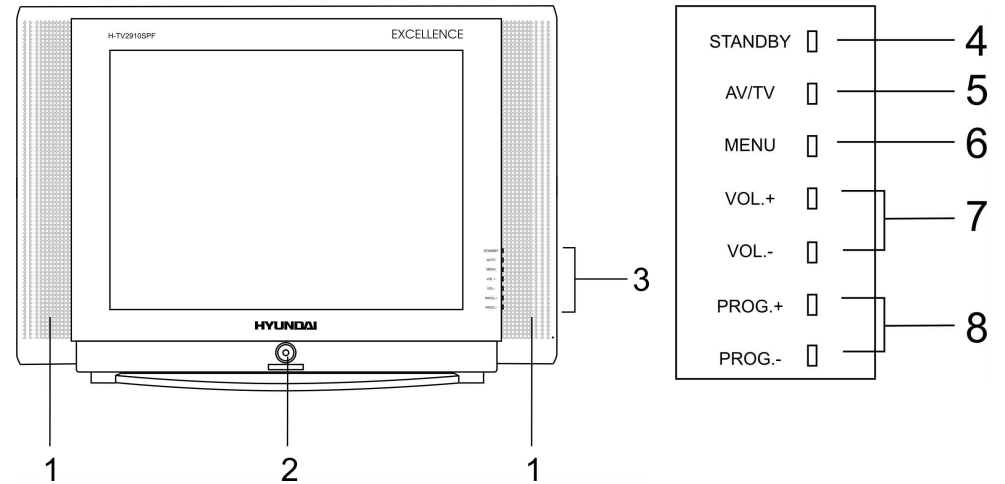


AV in – is for connecting the output terminal of the A/V devices such as video camera, VCR or DVD.

Video and Audio cables (RCA cable) are used in compatibility with their color: video cable is yellow, audio cables are red and white. Jacks on the LCD TV panel have the same color.

Front panel controls

1. Speakers
2. POWER button – to turn the power on/off
3. Control buttons:
 4. STANDBY button – to set TV in standby mode
 5. AV/TV button – to switch between sources
 6. MENU button – to enter the system setup menu
 7. VOL.+ buttons – to adjust the volume level
 8. VOL.- buttons – to adjust the volume level
 9. PROG.+ buttons – to switch between programs
 10. PROG.- buttons – to switch between programs



Remote control

1. MUTE button

Press once to mute the sound, press again to return to previously set sound level.

2. Program selection buttons

Push the number for your desired program and the program indicator will be displayed on the screen.

Press --/-- key to select one digit, two digit or three digit entry. You can enter the number 0-199. To select program 0-9, use one digit entry, to select 10-99 use two digits entry. Press the --/-- key to show --, press 2, then 4 to enter channel 24 for example.

Press the --/-- key to show 1--, press 1, then 2, then 4 to enter channel 124 for example.

Press the number keys to select Teletext pages in Teletext mode (Option).

3. Color buttons

In TV mode the color Green and Blue buttons have same function as PROG+/- buttons, the Red and Yellow buttons have some functions as VOL+/- buttons.

In Teletext mode, the same color page number which is on the bottom of screen will respond to pressing these color keys (Option).

4. VOL +/- buttons

Press volume +/- buttons to adjust volume level.

5. MENU button

Press this button to select menu: PRESET, PICTURE, SYSTEM and TIME menu. Select the setting by PROG+/- buttons, to adjust this setting - VOL+/- buttons.

6. P.P. button

To select picture mode: RICH, USER, SOFT, STANDARD.

7. RECALL button

Press this button sequentially to recall for the program number, color system and sound system on the screen.

8. SLEEP button ☺

This key is used to set the sleep timer in 15 minutes step up to two hours. When the preset time runs to 0. TV set will go into stand by mode. To switch off this function, press this key step by step until “☺ --” is displayed on the screen.

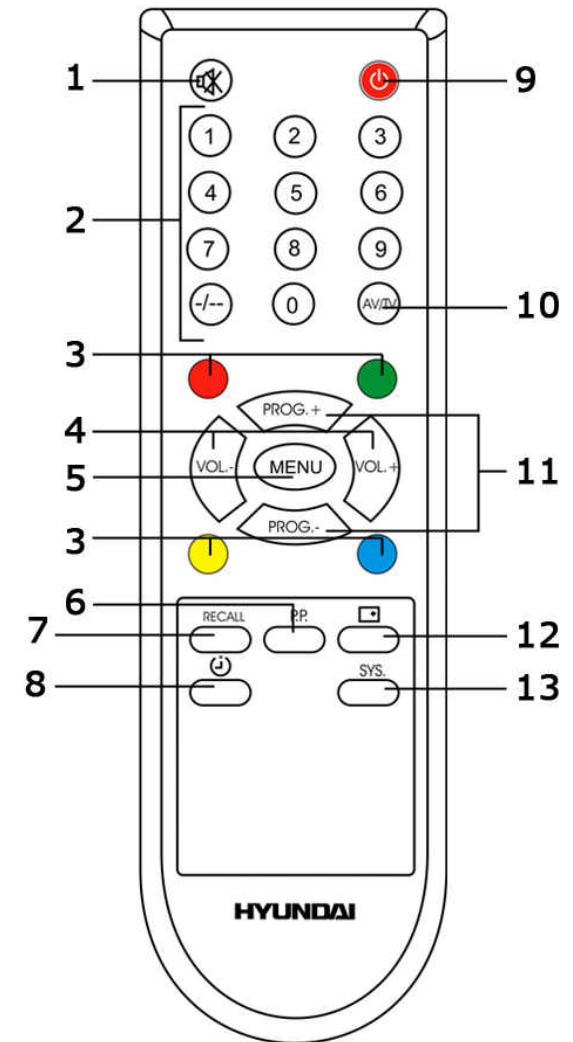
9. POWER (STANDBY) button

Press this button to turn the TV on/off. Press any number, PROG+/- button, picture and sound will come on within a few seconds.

10. AV/TV button

Press this button to display external video signal such as VCR or CD video player. AV will be displayed on the screen. Press this button again to switch back to TV signal from AV.

11. PROG +/- button



Press the PROG + button to select the program forwards. Press the PROG - button to select the program backwards. (Use this button for page up/down to increase/decrease page number in Teletext mode (Option).)

12. DISPLAY button 

Press this button sequentially to display the current program number, color system and sound system on the screen.

13. SYS button

In TV mode press this button to display the system menu. In AV mode press this button to select Auto. PAL. NTSC3.58. NTSC4.43 SECAM

System setup

1. Press the MENU button repeatedly to select the desired menu: PICTURE, AUDIO, OPTION, CLOCK, SYSTEM.
2. In each menu press the PROG+/- buttons or GREEN/BLUE buttons to select the setting.
3. Press the VOL+/- buttons or RED/YELLOW buttons to adjust the setting selected.
4. Press the MENU button to confirm the setting and return to the previous menu window.

Picture

1. Press the MENU button once to select the PICTURE menu.
2. Press the PROG+/- buttons or GREEN/BLUE buttons to select the setting: BRIGHT, CONTRAST, COLOR, SHARP, CORING, BLACK STRETCH.
3. Press the VOL+/- buttons or RED/YELLOW buttons to adjust the setting selected.
4. Press the MENU button to confirm the setting and return to the previous menu window.

PICTURE	
BRIGHT	60
CONTRAST	80
COLOR	55
SHARP	50
CORING	ON
BLACK STRETCH	ON
.....	35

Audio

1. Press the MENU button once to select the AUDIO menu.
2. Press the PROG+/- buttons or GREEN/BLUE buttons to select the setting: VOLUME, TREBLE, BASS, BALANCE, MODE, SURROUND (Option).
3. Press the VOL+/- buttons or RED/YELLOW buttons to adjust the setting selected.
4. Press the MENU button to confirm the setting and return to the previous menu window.

AUDIO	
VOLUME	02
TREBLE	50
BASS	50
BALANCE	00
MODE	MEMORY
SURROUND	OFF

Mode: you can select the sound mode: MEMORY, NEWS, MUSIC, MOVIE.

Surround: you can switch the Surround mode ON/OFF.

Option

1. Press the MENU button once to select the OPTION menu.
2. Press the PROG+/- buttons or GREEN/BLUE buttons to select the setting: LANGUAGE, CALENDAR, GAME, LOTTERY (Option), BIOLOGY CLOCK (Option).
3. Press the VOL+/- buttons or RED/YELLOW buttons to adjust the setting selected.
4. Press the MENU button to confirm the setting and return to the previous menu window.

OPTION	
LANGUAGE	ENGLISH
CALENDAR	
GAME	
LOTTERY	
BIOLOGY CLOCK	

Language: you can select the system setup menu language.

Calendar: enter the Calendar submenu.

1. In Calendar submenu press the PROG+/- buttons to select year.
2. Press the VOL+/- buttons to set the year.

3. Press the PROG+/- buttons to select month.
4. Press the VOL+/- buttons to set the month.
5. Press the PROG+/- buttons to select date.
6. Press the VOL+/- buttons to set the date.
7. Press the MENU button to confirm the setting and return to the previous menu window.

Game: enter the Game submenu.

- Press VOL.+/- buttons to enter the game OSD (On Screen Display) menu.
- Press PROG.+/- buttons to select the game to play, then press VOL.+/- to enter the selected game.

Notes:

- To pause the game, press RECALL button.
- To exit the game, press DISPLAY button.
- To start a new game, press PROG. +/- or VOL +/-.

Lottery: enter the Lottery mode.

- Press PROG.+/- buttons to choose options. The option chosen will have an arrowhead to instruct and will be highlighted in red.
- Press VOL+/- buttons to change the option of Range and Number values.
- The number of Range is ranging from 9 to 50, and given 4 to 8 Lottery numbers.
- Choosing the option of Preset, press P.P. button to choose the preset numbers and use the VOL+/- buttons to change the preset numbers.
- Press VOL+/- buttons to choose the number automatically and press again to stop.
- Press MENU button to exit the Lottery mode.

Biology clock: enter into the Biology clock mode.

- Press PROG.+/- buttons to change the Year, Month and Day items and VOL+/- buttons to change the numbers of the items.
- WIT, VEIN and THEW will be adjusted according to the entered date of birth.
- Press MENU button to exit.

Clock

1. Press the MENU button twice to select the CLOCK menu.
2. Press the PROG+/- buttons or GREEN/BLUE buttons to select the setting: TIME, ON-TIME, OFF-TIME, ALARM, BESPOKE TIME, POSITION.
3. Press the VOL+/- buttons or RED/YELLOW buttons to adjust the setting selected.
4. Press the MENU button to confirm the setting and return to the previous menu window.

Time: you can set the time: press VOL- button to set hour; press VOL+ button to set minute.

On-time/ Off-time: you can set the time for TV automatically turning on and off: press VOL- button to set hour; press VOL+ button to set minute.

Alarm: you can set the time for alarm: press PROG+/- buttons to set hour and minute.

Bespoke time: you can set the time to switch the desired program.

Clock	
TIME	---
ON-TIME	---
OFF-TIME	---
ALARM	---
BESPOKE TIME	---
POSITION	---

Position: you can set the program number to switch to at the desired time.

System

1. Press the MENU button twice to select the INSTALL menu.
2. Press the PROG+/- buttons or GREEN/BLUE buttons to select the setting: COLOR-SYS, SOUND-SYS, POSITION 1, POSITION 2, EXCHANGE, COPY, CLEAR ALL.
3. Press the VOL+/- buttons or RED/YELLOW buttons to adjust the setting selected.
4. Press the MENU button to confirm the setting and return to the previous menu window.

Color system: you can select the color system: AUTO, PAL, NTSC, SECAM.

Sound system: you can select the sound system: 6.0M (PAL I), 6.5M (PAL D/K), 4.5M (NTSC M) and 5.5M (PAL B/G), PAL B/G, SECAM B/G, PAL I/II, PAL D/K, SECAM D/K, NTSC-M.

Positions 1: press VOL+/- to select Position 1.

Positions 2: press VOL+/- to select Position 2.

Exchange: press VOL+/- to exchange Position 1 and Position 2.

Copy: press the VOL.+/- buttons to copy Position 1 to Position 2.

Clear all: press VOL+/- button on the panel at the same time for 2 seconds then enter the function of Clear all to clear all programs. The bar of menu is flickering at the meantime.

SYSTEM	
COLOR-SYS	AUTO
SOUND-SYS	
POSITION 1	
POSITION 2	
EXCHANGE	
COPY	
CLEAR ALL	

Preset menu

Position

Up to 256 TV channels can be stored by program numbers (0 to 255). By pressing VOL.+/- Buttons (or number keys) you can to select channel number. You can store the channel number, which are watching, and change the channel number. Once you have preset the channels, you will be able to use the PROG. +/- or NUMBER buttons to scan the channels you have programmed.

Memory: You can set "OFF" by pressing VOL.+/- Buttons if you want to cancel the channel number of which you are watching.

Band: You can select V-L, V-H or UHF bands by pressing VOL.+/- Buttons.

Fine: You can use this FINE tuning process for fine adjustment by pressing VOL.+/- Buttons. Normally fine tuning is only necessary if reception is poor.

Search : Press VOL.+/- Buttons to start searching. The VOL- button for backward search; the VOL+ button for forward search. When a TV station signal is received, the searching will stop automatically.

Auto Search: Press VOL.+/- Buttons, the TV set will automatically search from V-L band to U band.

Selecting Program

Use 0-9 digit buttons to call directly on the program number that you want. If you want to select a double digits program number, firstly press "- / - -" button, then input the two digits. You can also move channel by pressing Program UP/DOWN buttons.

PRESET	
POSITION	255
MEMORY	ON
BAND	V-L
FINE	
SEARCH	
AUTO SEARCH	
.....	

Troubleshooting guide

Before requesting servicing, check following points please.

Malfunction	Check and adjustment
No picture, no sound	Try different channel, if OK probably station trouble. Check aerial connections on back of set. Check aerial for broken wires. Adjust fine tuning control. Check if system switch is correct. Check if on/off switch is "on".
Poor sound, picture OK	Try different channel, if OK probably station trouble. Re-orient aerial (if indoor type). Probably local interference, such as an appliance. Adjust fine tuning control. Check if system switch is correct.
Poor picture, sound OK	Try different channel, if OK probably station trouble. Check aerial connections on back of set. Check aerial for broken wires. Re-orient aerial (if indoor type). Probably local interference, such as an appliance. Adjust fine tuning control. Adjust brightness control. Check if system switch is correct.
Weak picture	Try different channel, if OK probably station trouble. Check aerial connections on back of set. Check aerial for broken wires. Re-orient aerial (if indoor type). Check if system switch is correct.
Blurred picture	Try different channel, if OK probably station trouble. Check aerial for broken wires. Re-orient aerial (if indoor type). Adjust fine tuning control. Check if system switch is correct.
Double image	Try different channel, if OK probably station trouble. Check aerial connections on back of set. Check aerial for broken wires.

	<p>Re-orient aerial (if indoor type). Adjust fine tuning control.</p>
Lines in picture	<p>Try different channel, if OK probably station trouble. Check aerial for broken wires. Re-orient aerial (if indoor type). Probably local interference, such as an appliance. Adjust fine tuning control.</p>
Distorted picture	<p>Try different channel, if OK probably station trouble. Check aerial for broken wires. Re-orient aerial (if indoor type). Adjust fine tuning control. Check if system switch is correct.</p>
Weak reception on some channels	<p>Try different channel, if OK probably station trouble. Check aerial connections on back of set. Check aerial for broken wires. Re-orient aerial (if indoor type). Probably local interference, such as an appliance. Adjust fine tuning control. Check if system switch is correct.</p>
Horizontal bars	<p>Check aerial for broken wires. Re-orient aerial (if indoor type). Probably local interference, such as an appliance.</p>
Picture rolls vertically	<p>Try different channel, if OK probably station trouble. Check aerial for broken wires. Re-orient aerial (if indoor type). Probably local interference, such as an appliance. Check if system switch is correct.</p>
Poor color	<p>Try different channel, if OK probably station trouble. Check aerial connections on back of set. Check aerial for broken wires. Re-orient aerial (if indoor type). Probably local interference, such as an appliance. Adjust fine tuning control. Adjust brightness control. Adjust contrast control. Adjust color control. Check if system switch is correct.</p>
No color	<p>Try different channel, if OK probably station trouble. Check aerial connections on back of set.</p>

	Check aerial for broken wires. Re-orient aerial (if indoor type). Adjust fine tuning control. Check if station is broadcasting color. Adjust color control. Check if system switch is correct.
Malfunctions of Remote control	Check batteries in Remote control.
No remote control	Check batteries in Remote control.
On Screen Display Control outside the screen	Check if system switch is correct.

Cleaning

1. Switch off the appliance and unplug from the power supply.
2. Wipe over the cabinet of the appliance using a soft damp cloth.
3. Do not use liquid cleaners or aerosol cleaners.

Specification

Tuner system	Voltage synthesized tuner
Color picture tube	29" (72cm)
Receiving and play back systems	PAL / SECAM, B/G, D/K, NTSC M
Play back systems	NTSC 3.58, NTSC 4,43
Antenna input	75 ohms, unbalanced
Audio/Video jacks	RCA, full SCART
Sound power (max)	2 x 15 W
Operating temperature	5°C - 40°C
Operating humidity	35% - 80%
Power supply	220 V, 50 Hz
Power	150 W
Weight	44.9 kg
Dimensions (W x H x D)	860 mm x 399 mm x 614.5 mm
Supplied accessories	Remote control (1 pc) Batteries (2 pcs)

Specifications are subject to change without notice. Mass and dimension are approximate.

Уважаемый покупатель!

Благодарим Вас за приобретение телевизора HYUNDAI. Для того чтобы полностью использовать преимущества Вашего аппарата, внимательно прочтите руководство и храните его под рукой для справок в дальнейшем.

Содержание

Содержание	16
Меры безопасности.....	17
Характеристики телевизора.....	18
Подготовка	19
Передняя панель телевизора	20
Пульт дистанционного управления.....	21
Меню настроек телевизора.....	23
Перед вызовом обслуживающего персонала.....	26
Чистка и уход	28
Технические характеристики	29

Меры безопасности

- Перед первым использованием прибора проверьте, соответствует ли электропитание Вашего телевизора, указанное в таблице с техническими характеристиками, электропитанию в Вашей локальной сети.
- Прибор следует использовать только так, как описано в данной инструкции.
- Не используйте прибор вне помещений.
- Всегда отключайте прибор от сети питания, если Вы его не используете, а также перед чисткой.
- Во избежание поражения электрическим током, не подвергайте прибор воздействию дождя или влаги.
- Не устанавливайте телевизор в ванных комнатах или около других источников воды.
- Не устанавливайте телевизор возле источников тепла таких, как радиаторные батареи или газовые и электрические обогреватели.
- Не устанавливайте телевизор в местах с температурой меньше, чем 5°C или больше, чем 40°C.
- Не устанавливайте горячие предметы такие, как свечи или ночники на телевизор или вблизи от него. Высокие температуры могут вызвать деформацию пластикового материала и привести к возгоранию корпуса.
- Не блокируйте и не закрывайте вентиляционные отверстия. Оставляйте зазоры не менее чем по 10 см от задней стенки и от крышки телевизора и по 5 см с каждой стороны.
- Не устанавливайте телевизор на кровати, ковре или подобной поверхности, т.к. это может привести к блокировке вентиляционных отверстий.
- Не устанавливайте телевизор во встроенных конструкциях с недостаточной вентиляцией таких, как шкафы, книжные полки или замкнутые стеллажи.
- Устанавливайте телевизор на ровной поверхности, избегая места, где он может подвергаться сильному воздействию вибрации.
- Телевизор следует передвигать осторожно, поскольку распределение массы является неравномерным по объему изделия. Не ставьте тяжелые предметы на телевизор.
- Не позволяйте никому, в особенности детям, просовывать что-либо в пазы или другие отверстия на корпусе телевизора.
- Не позволяйте детям играть с пультом дистанционного управления.
- Не устанавливайте телевизор вблизи аппаратуры, которая может вызывать электромагнитные помехи, такой, например, как микроволновые печи или громкоговорители.
- Во время грозы, а также в случаях, когда телевизор в течение длительного времени не эксплуатируется или остается без присмотра, отключайте телевизор от сети питания.
- Не оставляйте включенный прибор без присмотра.
- Не используйте прибор с поврежденным электрошнуром.
- Не беритесь за вилку мокрыми руками.
- Не пытайтесь самостоятельно ремонтировать прибор. При обнаружении неполадок в работе прибора обращайтесь в ближайший сервисный центр.

Характеристики телевизора

- Ультратонкий кинескоп с диагональю 29" (72 см)
- Абсолютно плоский экран
- Глубина корпуса 40 см
- Форматы теле вещания: PAL/SECAM; B/G, D/K, NTSC M
- Система воспроизведения NTSC
- 2 фронтальных динамика
- AV стерео, выходная мощность звука: 2 x 15 Вт
- Память на 256 программ
- Автоматическая и ручная настройка программ
- Таймер включения/выключения
- Экранное меню на русском и английском языках
- Разъемы: «полный» SCART, аудио/видеовход на боковой панели
- Система шумоподавления
- Встроенная игра
- Календарь
- Биологические часы
- Блокировка для детей
- Встроенные часы
- Потребляемая мощность: 150 Вт
- Диапазон рабочего напряжения: 220 В, 50 Гц
- Многофункциональный ПДУ

Подготовка

Подключение антенны или сети кабельного телевидения

Для нормального приема телевизионных программ телевизионный сигнал должен поступать на телевизор с одного из перечисленных ниже источников:

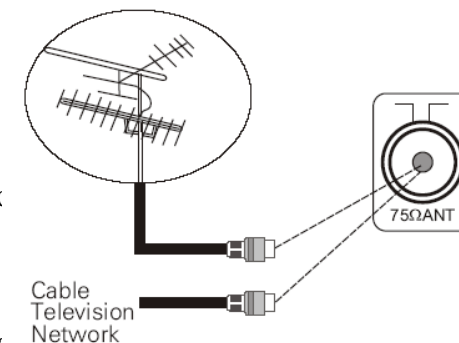
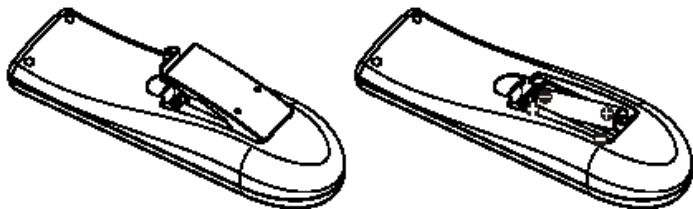
- наружная антенна;
- сеть кабельного телевидения.

1. Вставьте штекер антенны или сети кабельного телевидения в коаксиальное антенное гнездо, расположенное на задней панели телевизора.
2. Подключите телевизор к сети питания.
3. Нажмите кнопку POWER на передней панели телевизора.

Примечание: Питание телевизора автоматически отключается примерно через 30 минут после окончания приема сигнала на антенном входе.

Установка элементов питания в ПДУ

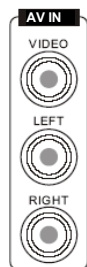
1. Откройте крышку отсека для батареек на задней стороне ПДУ и установите две батарейки типа AAA 1,5 В, соблюдая полярность. Закройте крышку отсека для батареек.
2. Нажмите кнопку POWER на ПДУ, при этом экран кинескопа должен загореться.



Входные и выходные разъемы

Scart разъем - предназначен для подсоединения внешнего A/V (аудио/видео) кабеля таких устройств как видео камера, VCR-проигрывателя или DVD-проигрывателя, других телевизионных устройств

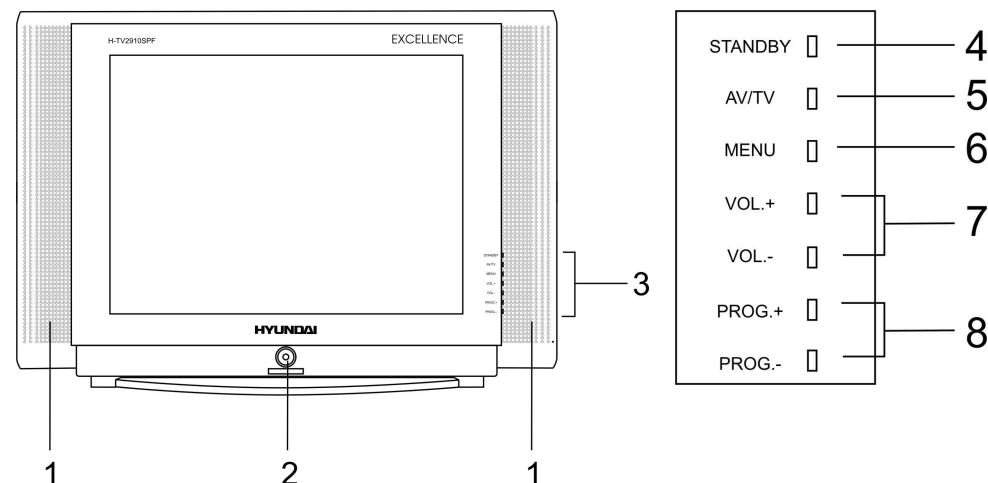
Scart-кабель позволяет подсоединить внешние устройства без деления на видео или аудио сигналы.



Аудио/видео входы – предназначено для подсоединения внешнего A/V (аудио/видео) кабеля таких устройств как видео камера, VCR-проигрывателя или DVD-проигрывателя. Видео или аудио кабели (RCA кабель) используются в совместимости с их цветом: видео кабель – желтый, аудио кабель – красный или белый. Разъемы на панели LCD телевизора имеют те же самые цвета.

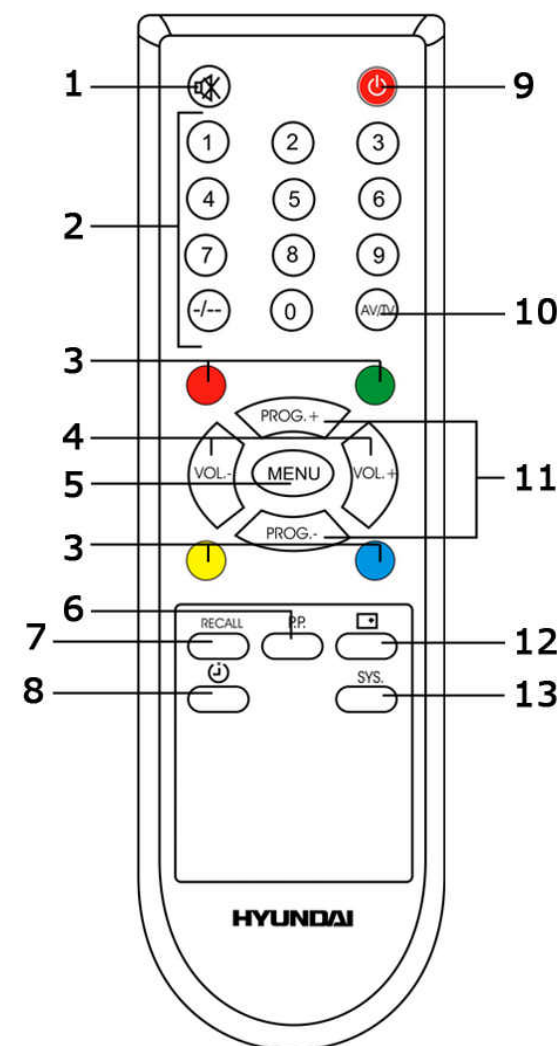
Передняя панель телевизора

1. Динамики
2. Кнопка POWER – для включения/выключения питания телевизора.
3. Кнопки контроля:
 4. Кнопка STANDBY – для перехода в дежурный режим
 5. Кнопка TV/AV – для выбора источника сигнала, например, с видео плеера или DVD плеера. На экране появится значок AV. Нажмите на кнопку еще раз, чтобы вернуться в режим ТВ.
 6. Кнопка MENU – для входа в меню.
 7. Кнопка VOL+/- - для увеличения/уменьшения громкости.
 8. Кнопка PROG+/- - для переключения каналов назад/вперед.



Пульт дистанционного управления

1. Кнопка включения/выключения звука MUTE
Однократное нажатие на кнопку отключит звук, а повторное установит предварительно установленный уровень звука.
2. Кнопка выбора программ
Для включения канала с однозначным номером (от 1 до 9) нажмите на кнопку с цифрой, для включения канала с двузначным номером (от 10 до 99) – нажмите на кнопку --/-- два раза, затем введите первую цифру номера, затем вторую. Для включения канала с трехзначным номером (100-199) нажмите на кнопку --/-- три раза, затем введите первую цифру номера канала, затем – вторую, затем – третью.
Используйте также эти кнопки для выбора страниц в режиме Телетекста.
3. Цветные кнопки
В режиме ТВ функции Зеленой и Синей кнопок соответствуют функциям кнопок PROG +/-, функции Желтой и Зеленой кнопок соответствуют функциям кнопок VOL +/-.
В режиме телетекста этими цветными кнопками можно выбрать номер страницы такого же цвета, как и указанного внизу экрана.
4. Кнопки регулировки громкости VOL+/-
Нажимайте на эту кнопку для регулировки уровня звука.
5. Кнопка MENU
Нажмите на кнопку, чтобы открыть меню настроек телевизора.
6. Кнопка P.P.
Нажмите кнопку, чтобы выбрать режим картинки: НАСЫЩ, МЯГКИЙ, СТАНДАРТ, ПОЛЬЗ.
7. Кнопка RECALL
Нажмите эту кнопку, чтобы вызвать режим программ, системы цвета или звука на экране.
8. Кнопка «сна» (⏻)
Кнопка устанавливает режим отключения телевизора с шагом 15 минут с общим временем до 2 часов. Когда предварительно установленное время истекает, телевизор переходит в режим ожидания. Для отключения данной функции последовательно нажимайте на кнопку, пока на экране не появится значок «☐ --».
9. Кнопка POWER (STANDBY)
Нажмите эту кнопку, чтобы включить/выключить телевизор. Нажмите любую цифру, PROG+/-, в течение нескольких секунд появятся картинка и звук.
10. Кнопка AV/TV



Нажмите на эту кнопку, чтобы выбрать источник сигнала (например, видеомаягнитофон или CD видео плеер). На экране появится обозначение AV. Повторное нажатие кнопки вернет телевизор в обычный режим ТВ.

11. Кнопка PROG+/-

Нажмите кнопку “PROG+” для выбора большего номера программы, кнопку “PROG-” – для выбора меньшего номера программы (используйте эти кнопки для выбора страниц в режиме Телетекста (Опция)).

12. Кнопка напоминания 

При последовательном нажатии на кнопку на экране будут появляться установленные номера программы, система цвета и звука.

13. Кнопка SYS.

В режиме TV нажмите кнопку для вызова меню системы. В режиме AV нажмите кнопку для выбора требуемой системы звука: AUTO, PAL, NTSC3.58, NTSC4.43, SECAM.

Меню настроек телевизора

1. Нажимайте на кнопку MENU, чтобы выбрать нужное меню настроек: ИЗОБРАЖЕНИЕ, ЗВУК, ОПЦИЯ, ЧАСЫ, СИСТЕМА.
2. В окне выбранного меню нажимайте на кнопки PROG+/- или на ЗЕЛЕНУЮ/СИНИЮЮ кнопки, чтобы выбрать настройку.
3. Нажмите на кнопку VOL+/- или на КРАСНУЮ/ЖЕЛТУЮ кнопки, чтобы отрегулировать настройку.
4. Нажмите на кнопку MENU, чтобы сохранить настройку и вернуться к предыдущему меню.

Меню Изображение

1. Нажмите на кнопку MENU 1 раз, чтобы выбрать меню ИЗОБРАЖЕНИЕ.
2. Нажимайте на кнопки PROG+/- или на ЗЕЛЕНУЮ/СИНИЮЮ кнопки, чтобы выбрать настройку: ЯРКОСТЬ, КОНТРАСТНОСТЬ, ЦВЕТНОСТЬ, РЕЗКОСТЬ, ТЕМБР, ОБЛ. ЧЕРНОГО.
3. Нажмите на кнопку VOL+/- или на КРАСНУЮ/ЖЕЛТУЮ кнопки, чтобы отрегулировать настройку.
4. Нажмите на кнопку MENU, чтобы сохранить настройку и вернуться к предыдущему меню.

ИЗОБРАЖЕНИЕ	
ЯРКОСТЬ	55
КОНТРАСТНОСТЬ	55
ЦВЕТНОСТЬ	55
РЕЗКОСТЬ	50
ТЕМБР	Вкл.
ОБЛ. ЧЕРНОГО	Вкл.

Меню Звук

1. Нажмите кнопку MENU 1 раз, чтобы выбрать меню ЗВУК.
2. Нажмите кнопку PROG+/- или на ЗЕЛЕНУЮ/СИНИЮЮ кнопки, чтобы выбрать настройку: ГРОМКОСТЬ, ВЫСОКИЕ, НИЗКИЕ, БАЛАНС, РЕЖИМ ЗВУКА, ОКРУЖЕНИЕ.
3. Нажмите на кнопку VOL+/- или на КРАСНУЮ/ЖЕЛТУЮ, чтобы отрегулировать настройку.
4. Нажмите на кнопку MENU, чтобы сохранить настройку и вернуться к предыдущему меню.

ЗВУК	
ГРОМКОСТЬ	51
ВЫСОКИЕ	00
НИЗКИЕ	00
БАЛАНС	00
РЕЖИМ ЗВУКА	ПАМЯТЬ
ОКРУЖЕНИЕ	Выкл.

Режим звука: Вы можете выбрать Режим звука: ПАМЯТЬ, НОВОСТЬ, МУЗЫКА, ФИЛЬМ.

Окружение: Вы можете включить/ выключить режим Окружения (объемного звука).

Меню Опция

1. Нажмите на кнопку MENU 3 раза, чтобы выбрать меню ОПЦИЯ.
2. Нажимайте на кнопки PROG+/- или на ЗЕЛЕНУЮ/СИНИЮЮ кнопки, чтобы выбрать настройку: ЯЗЫК, КАЛЕНДАРЬ, ИГРА, ЛОТЕРЕЯ, БИОЧАСЫ.
3. Нажмите на кнопку VOL+/- или на КРАСНУЮ/ЖЕЛТУЮ кнопки, чтобы отрегулировать настройку.
4. Нажмите на кнопку MENU, чтобы сохранить настройку и вернуться к предыдущему меню.

ОПЦИЯ	
ЯЗЫК	АНГЛИЙСКИЙ
КАЛЕНДАРЬ	
ИГРА	
ЛОТЕРЕЯ	
БИОЧАСЫ	

Язык: в этом подменю Вы можете установить язык меню установок.

Календарь: войдите в подменю Календарь.

1. Нажмите на кнопку PROG+/-, чтобы выбрать год.
2. Нажмите на кнопку VOL+/-, чтобы установить год.

3. Нажмите на кнопку PROG+/-, чтобы выбрать месяц.
4. Нажмите на кнопку VOL+/-, чтобы установить месяц.
5. Нажмите на кнопку PROG+/-, чтобы выбрать дату.
6. Нажмите на кнопку VOL+/-, чтобы установить дату.
7. Нажмите на кнопку MENU, чтобы подтвердить настройку и вернуться в предыдущее меню.

Игра: войдите в подменю Игра.

- С помощью кнопок PROG.+/- выберите игру, нажмите VOL.+/- для входа в игру.

Примечание:

- Нажмите RECALL, чтобы поставить игру на паузу.
- Нажмите DISPLAY для выхода из игры.
- Нажмите PROG. +/- или VOL +/-, чтобы начать новую игру.

Лотерея: войдите в подменю Лотерея.

- Нажмите на кнопку PROG.+/-, чтобы выбрать пункт. Выбранный пункт будет иметь подсказку и будет подсвечен красным.
- Нажмите на кнопку VOL+/-, чтобы выбрать Диапазон и Номер.
- В диапазоне 9 - 50 дано от 4 до 8 номеров лотереи.
- При выборе Установки нажмите на P.P., чтобы выбрать номер и при помощи кнопок VOL+/- выберите номера.
- Нажмите на VOL+/-, чтобы начать выброс номеров, нажмите еще раз, чтобы остановить.
- Нажмите на MENU, чтобы выйти из режима.

Биочасы: войдите в подменю Биочасы.

- Нажмите на кнопку PROG.+/-, чтобы выбрать год, месяц и день рождения. При помощи кнопок VOL+/- выберите значение.
- Значения параметров «УМ», «КРОВЕНОСНЫЕ СОСУДЫ» и «МУСКУЛЫ» будут отображены в соответствии с введенной датой.
- Нажмите на MENU, чтобы выйти из режима.

Меню Часы

1. Нажмите на кнопку MENU 2 раза, чтобы выбрать меню ЧАСЫ.
2. Нажимайте на кнопки PROG+/- или на ЗЕЛЕНУЮ/СИНЮЮ кнопки, чтобы выбрать настройку: ВРЕМЯ, ВРЕМЯ ВКЛЮЧЕНИЯ, ВРЕМЯ ВЫКЛЮЧЕНИЯ, НАПОМИНАНИЕ, УСТАНОВКА ВРЕМЕНИ, КАНАЛ.
3. Нажмите на кнопку VOL+/- или на КРАСНУЮ/ЖЕЛТУЮ кнопки, чтобы отрегулировать настройку.
4. Нажмите на кнопку MENU, чтобы сохранить настройку и вернуться к предыдущему меню.

ЧАСЫ	
ВРЕМЯ	-- --
ВРЕМЯ ВКЛЮЧЕНИЯ	-- --
ВРЕМЯ ВЫКЛЮЧЕНИЯ	-- --
НАПОМИНАНИЕ	-- --
УСТАНОВКА ВРЕМЕНИ	-- --
КАНАЛ	

Время: Вы можете установить время: нажмите на кнопку VOL-, чтобы установить часы; нажмите на кнопку VOL+, чтобы установить минуты.

Время включения/ выключения: Вы можете установить время автоматического включения/ выключения телевизора: нажмите на кнопку VOL-, чтобы установить часы; нажмите на кнопку VOL+, чтобы установить минуты.

Напоминание: Вы можете установить время напоминания.

Установка времени: Вы можете установить время автоматического переключения на желаемый канал: нажмите на кнопку VOL-, чтобы установить часы; нажмите на кнопку VOL+, чтобы установить минуты.

Канал: Вы можете установить канал для его автоматического включения в желаемое время.

Меню Система

1. Нажмите на кнопку MENU 4 раза, чтобы выбрать меню СИСТЕМА.
2. Нажимайте на кнопки PROG+/- или на ЗЕЛЕНУЮ/СИНЮЮ кнопки, чтобы выбрать настройку: СИСТЕМА ЦВЕТА, СИСТЕМА ЗВУКА, КАНАЛ1, КАНАЛ2, ПЕРЕКЛЮЧЕНИЕ, КОПИЯ, ОЧИСТИТЬ ВСЕ.
3. Нажмите на кнопку VOL+/- или на КРАСНУЮ/ЖЕЛТУЮ кнопки, чтобы отрегулировать настройку.
4. Нажмите на кнопку MENU, чтобы сохранить настройку и вернуться к предыдущему меню.

Система цвета: Вы можете выбрать систему цвета: АВТО, PAL, NTSC, SECAM.

Система звука: Вы можете выбрать систему звука: 6.0M (PAL I), 6.5M (PAL D/K), 4.5M (NTSC M) and 5.5M (PAL B/G), PAL B/G, SECAM B/G, PAL I/II, PAL D/K, SECAM D/K, NTSC-M.

Канал1: нажимайте на кнопку VOL/+-, чтобы выбрать канал 1.

Канал2: нажимайте на кнопку VOL/+-, чтобы выбрать канал 2.

Переключение: нажимайте на кнопку VOL/+-, чтобы поменять канал 1 и канал 2 местами.

Копия: нажимайте на кнопку VOL/+-, чтобы скопировать канал 1 в канал 2.

Очистить все: нажимайте на кнопку VOL/+-, чтобы очистить список сохраненных каналов.

СИСТЕМА	
СИСТ. ЦВЕТА	АВТО
СИСТ. ЗВУКА	
КАНАЛ1	
КАНАЛ2	
ПЕРЕКЛЮЧЕНИЕ	
КОПИЯ	
ОЧИСТИТЬ ВСЕ	

Предварительные настройки

Канал: Вы можете сохранить до 256 ТВ каналов в памяти. С помощью кнопок VOL.+/- (или кнопок с цифрами) Вы можете выбрать нужный канал для просмотра. Вы можете также изменить номер, под которым сохранен данный канал. После того, как Вы предварительно сохранили каналы, Вы можете просмотреть их последовательно с помощью кнопок PROG. +/- или кнопок с цифрами.

Память: если Вы хотите отменить номер канала, выберите "OFF" с помощью кнопок VOL.+/- во время просмотра данного канала.

Диапазон: Вы можете выбрать диапазоны V-L, V-H или UHF нажатием кнопок VOL.+/-.

Точная настройка: для лучшего приема нажмите на кнопки VOL +/-, чтобы осуществить точную регулировку каналов. В случае необходимости произведите точную регулировку для всех каналов.

Поиск: Нажмите кнопки VOL.+/- для начала поиска канала. Кнопкой VOL- осуществляется поиск вниз по диапазону, кнопкой VOL+ - вверх по диапазону. При нахождении сигнала канала поиск останавливается.

Авто поиск: нажимайте на кнопку VOL+, чтобы начать автоматический поиск. Телевизор будет искать каналы от V-L до U диапазона и автоматически сохранит их.

Выбор канала: С помощью кнопок 0-9 выберите канал напрямую. Если нужно выбрать канал с двузначным номером, нажмите кнопку "- / - -", затем введите 2 цифры канала. Также Вы можете переключать каналы с помощью кнопок Program UP/DOWN.

ПРЕДВАРИТ НАСТР	
КАНАЛ	255
ПАМЯТЬ	
ДИАПАЗОН	
ТОЧНАЯ НАСТР	
ПОИСК	
АВТО ПОИСК	

Перед вызовом обслуживающего персонала

Перед тем, как обратиться в сервисный центр, просмотрите нижеприведенную таблицу, в которой указаны возможные причины неполадок и советы по их устранению.

Неисправность	Проверка и регулировка
Нет звука, нет изображения	<p>Попробуйте различные каналы, если все в порядке, то возможно проблемы на станции. Проверьте подключение антенны. Проверьте, не оборван ли антенный провод. Попробуйте настроить канал с помощью точной настройки. Проверьте правильность установки системы вещания. Проверьте, нажата ли кнопка POWER.</p>
Плохой звук, изображение в норме	<p>Попробуйте различные каналы, если все в порядке, то возможно проблемы на станции. Переориентируйте антенну (если у Вас комнатная антенна). Возможно местные помехи от электроприборов. Попробуйте настроить канал с помощью точной настройки. Проверьте правильность установки системы вещания.</p>
Плохое изображение, звук в норме	<p>Попробуйте различные каналы, если все в порядке, то возможно проблемы на станции. Проверьте подключение антенны. Проверьте, не оборван ли антенный провод. Переориентируйте антенну (если у Вас комнатная антенна). Возможно местные помехи от электроприборов. Попробуйте настроить канал с помощью точной настройки. Отрегулируйте яркость изображения Проверьте правильность установки системы вещания.</p>
Плохое изображение	<p>Попробуйте различные каналы, если все в порядке, то возможно проблемы на станции. Проверьте подключение антенны. Проверьте, не оборван ли антенный провод. Переориентируйте антенну (если у Вас комнатная антенна). Проверьте правильность установки системы вещания.</p>
Изображение потеряло четкость	<p>Попробуйте различные каналы, если все в порядке, то возможно проблемы на станции. Проверьте, не оборван ли антенный провод. Переориентируйте антенну (если у Вас комнатная антенна). Попробуйте настроить канал с помощью точной настройки. Проверьте правильность установки системы вещания.</p>

Изображение двоится	<p>Попробуйте различные каналы, если все в порядке, то возможно проблемы на станции. Проверьте подключение антенны. Проверьте, не оборван ли антенный провод. Переориентируйте антенну (если у Вас комнатная антенна). Попробуйте настроить канал с помощью точной настройки.</p>
Полосы на изображении	<p>Попробуйте различные каналы, если все в порядке, то возможно проблемы на станции. Проверьте, не оборван ли антенный провод. Переориентируйте антенну (если у Вас комнатная антенна). Возможно местные помехи от электроприборов. Попробуйте настроить канал с помощью точной настройки.</p>
Искавление изображения	<p>Попробуйте различные каналы, если все в порядке, то возможно проблемы на станции. Проверьте, не оборван ли антенный провод. Переориентируйте антенну (если у Вас комнатная антенна). Попробуйте настроить канал с помощью точной настройки. Проверьте правильность установки системы вещания.</p>
Плохое изображение на некоторых каналах	<p>Попробуйте различные каналы, если все в порядке, то возможно проблемы на станции. Проверьте подключение антенны. Проверьте, не оборван ли антенный провод. Переориентируйте антенну (если у Вас комнатная антенна). Возможно местные помехи от электроприборов. Попробуйте настроить канал с помощью точной настройки. Проверьте правильность установки системы вещания.</p>
Горизонтальные полосы	<p>Проверьте, не оборван ли антенный провод. Переориентируйте антенну (если у Вас комнатная антенна). Возможно местные помехи от электроприборов.</p>
Изображение скользит в вертикальном направлении	<p>Попробуйте различные каналы, если все в порядке, то возможно проблемы на станции. Проверьте, не оборван ли антенный провод. Переориентируйте антенну (если у Вас комнатная антенна). Возможно местные помехи от электроприборов. Проверьте правильность установки системы вещания.</p>
Плохой цвет	<p>Попробуйте различные каналы, если все в порядке, то возможно проблемы на станции. Проверьте подключение антенны. Проверьте, не оборван ли антенный провод. Переориентируйте антенну (если у Вас комнатная антенна). Возможно местные помехи от электроприборов. Попробуйте настроить канал с помощью точной настройки.</p>

	<p>Отрегулируйте яркость изображения.</p> <p>Отрегулируйте контраст изображения.</p> <p>Отрегулируйте цвет изображения.</p> <p>Проверьте правильность установки системы вещания.</p>
Нет цвета	<p>Попробуйте различные каналы, если все в порядке, то возможно проблемы на станции.</p> <p>Проверьте подключение антенны.</p> <p>Проверьте, не оборван ли антенный провод.</p> <p>Переориентируйте антенну (если у Вас комнатная антенна).</p> <p>Попробуйте настроить канал с помощью точной настройки.</p> <p>Проверьте, передает ли станция цветное изображение.</p> <p>Отрегулируйте цвет изображения.</p> <p>Проверьте правильность установки системы вещания.</p>
Сбои в работе дистанционного пульта	<p>Проверьте батарейки в пульте.</p>
Дистанционный пульт не работает	<p>Проверьте батарейки в пульте.</p>
Экранное меню не помещается на экране	<p>Проверьте правильность установки системы вещания.</p>

Чистка и уход

1. Перед чисткой отключите телевизор от сети питания.
2. Протрите внешнюю поверхность корпуса телевизора мягкой салфеткой.
3. Не используйте жидкие или аэрозольные чистящие средства.

Технические характеристики

Система тюнера	Тюнер с микропроцессорной настройкой
Кинескоп с диагональю	29" (72 см)
Принимаемые и воспроизводимые системы вещания	PAL/SECAM BG/DK, NTSC M
Воспроизводимые системы вещания	NTSC 3,58, NTSC 4,43
Антенный вход	75-омный, несимметричный
Аудио/Видео разъемы	RCA, «полный» SCART
Выходная мощность аудио сигнала (макс)	2 x 15 Вт
Допустимая температура при эксплуатации	5°C до 40°C
Допустимая влажность	35% - 80%
Напряжение	220 В, 50 Гц
Потребляемая мощность	150 Вт
Вес	44.9 кг
Габариты (Ш x В x Г)	860 мм x 399 мм x 614.5 мм
Принадлежности	Пульт дистанционного управления (1 шт) Батарейки (2 шт)



ME 61

**Технические характеристики могут быть изменены заводом изготовителем без предварительного уведомления.
Указанные масса и геометрические размеры имеют приблизительные значения.**

Free Manuals Download Website

<http://myh66.com>

<http://usermanuals.us>

<http://www.somanuals.com>

<http://www.4manuals.cc>

<http://www.manual-lib.com>

<http://www.404manual.com>

<http://www.luxmanual.com>

<http://aubethermostatmanual.com>

Golf course search by state

<http://golfingnear.com>

Email search by domain

<http://emailbydomain.com>

Auto manuals search

<http://auto.somanuals.com>

TV manuals search

<http://tv.somanuals.com>